


Thank you for purchasing a Sealey product. Manufactured to a high standard this product will, if used according to these instructions and properly maintained, give you years of trouble free performance.

 **IMPORTANT: PLEASE READ THESE INSTRUCTIONS CAREFULLY. NOTE THE SAFE OPERATIONAL REQUIREMENTS, WARNINGS & CAUTIONS. USE THIS PRODUCT CORRECTLY AND WITH CARE FOR THE PURPOSE FOR WHICH IT IS INTENDED. FAILURE TO DO SO MAY CAUSE DAMAGE AND/OR PERSONAL INJURY AND WILL INVALIDATE THE WARRANTY. PLEASE KEEP INSTRUCTIONS SAFE FOR FUTURE USE.**

1. SAFETY INSTRUCTIONS

1.1 GENERAL SAFETY

- ✓ Familiarise yourself with this products application and limitations, as well as the specific potential hazards peculiar to the press.
- ✓ Maintain the press in good condition (use an authorised service agent).
- ✓ Replace or repair damaged parts. *Use recommended parts only. Non authorised parts may be dangerous and will invalidate the warranty.*
- ✓ Keep the press clean for best and safest performance.
- ✓ Locate the press in a suitable working area for its function, keep area clean, tidy, free from unrelated materials and ensure there is adequate lighting.
- ✓ Ensure the workpiece is correctly secured before operating the press.
- WARNING!** Always wear approved eye or face protection when operating the press.
- ✓ Remove ill fitting clothing. Remove ties, watches, rings, loose jewellery and contain long hair.
- ✓ Keep hands and body clear of the work table when operating the press.
- ✓ Maintain correct balance and footing. Ensure the floor is not slippery and wear non-slip steel toe-capped shoes/boots.
- ✓ Keep children and unauthorised persons away from the working area.
- x **DO NOT** operate the press if any parts are missing as this may cause failure and/or possible personal injury.
- x **DO NOT** use to compress springs or any other item that could disengage and cause a potential hazard.
- x **DO NOT** stand directly in front of the loaded press and never leave a loaded press unattended.
- x **DO NOT** use the press for any purpose other than that for which it is designed.
- x **DO NOT** make any modifications to the press.
- x **DO NOT** adjust or tamper with the safety valve.
- x **DO NOT** exceed the rated capacity of the press.
- x **DO NOT** apply off-centre loads.
- x **DO NOT** allow the workpiece or the press plates to fall from the work table.
- x **DO NOT** get the press wet or use in damp or wet locations or areas where there is condensation.
- x **DO NOT** operate the press when you are tired or under the influence of alcohol, drugs or intoxicating medication.
- ✓ When not in use, release pressure from the hydraulic unit and clean the press. Stand or store the anvil "V" blocks in a safe location.
- WARNING!** Always position the press against a wall. If the press is situated in the open workshop, it is essential that a guard be placed at the rear of the unit. This will prevent injury to bystanders in the event of the workpiece ejecting suddenly.
- WARNING!** The warnings, cautions and instructions in this manual cannot cover all possible conditions and situations that may occur. It must be understood by the operator that common sense and caution are factors which cannot be built into this product, but must be applied by the operator.
- ▲ **DANGER!** When lifting or moving the assembled press, it is recommended that it is transported by two people.

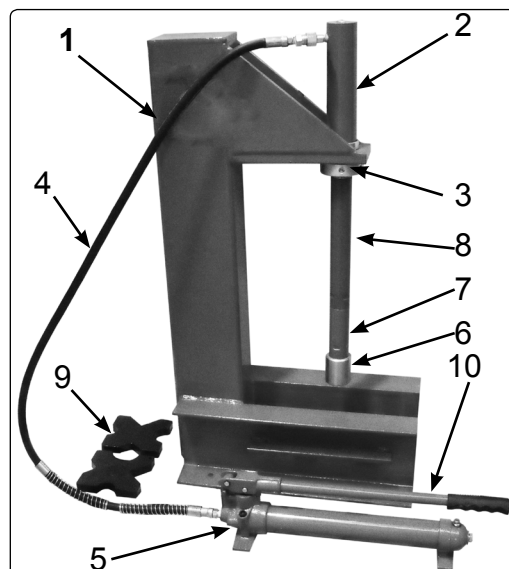
2. INTRODUCTION & SPECIFICATIONS

2.1 INTRODUCTION

High quality industrial press ideal for folding, forming, straightening, inserting and extruding. A detachable hydraulic pump and ram enables bespoke applications when the press is not in use. Supplied with two flat "V" block plates and ram extension tubes. Suitable for automotive and industrial applications.

2.2 SPECIFICATIONS:-

Model:	YC10B
Bench or Floor Mounting	Bench
Type:	Hydraulic
Capacity:	10tonne
Ram Stroke:	150mm
Ram Ø:	60mm
Maximum Height - Ram to Table:	420mm
Minimum Height - Ram to Table:	60mm
Table Aperture:	100mm
Work Table Depth:	235mm
Work Table Width:	380mm
Overall Height:	950mm
Gauge Included:	No
Weight:	63kg



3. ASSEMBLY

3.1 Unpack product and check contents against list below. Should there be any damaged or missing parts contact your Sealey Dealer immediately. Refer to the appropriate parts diagram as a guide to assembly, read all notes prior to assembly.

3.1.1 **Contents:**

Item No.	Description	Qty
1	Frame Fabrication	1
2	Ram (sub assembly)	1
3	Ram Collar	1
4	Hydraulic Hose	1
5	Pump c/w lever (loose)	1
6	Ram Mandrel	1
7	Extension Short c/w snap ring	1
8	Extension Long c/w snap ring	1
9	Flat "V" Blocks (loose)	2
10	Pump handle c/w grip	1

WARNING! Observe 'safe handling practices' by using two people to position the press.

3.1.2 Identify and lay out parts and place the frame on a firm level surface.

3.1.3 Fit the ram (item 3) and secure with ram collar (item 4) with a "C" spanner or tommy bar.

3.1.4 Decide on the clear opening height and snap into place required extension (item 7 or item 8 or both) and ram mandrel (item 6).

3.1.5 Connect the hydraulic hose (item 4) to the pump (item 5). Position the pump where it can be operated and connect the hose to the ram (item 2). Once installed, screw the pump lever into the pump arm (item 10).

3.1.6 Place v-blocks (item 9) on work table ready for use. Take care to ensure the v-blocks do not fall from the work table.

3.1.7 Before operating the press, purge the hydraulic system in order to eliminate any air that may have built up during transit. Open the release valve (Fig.1 & 2) and pump the handle several times (suggested 20 times). Should the system malfunction at any time, repeating this process may resolve the problem. If not refer to Maintenance heading 5.



Fig 1

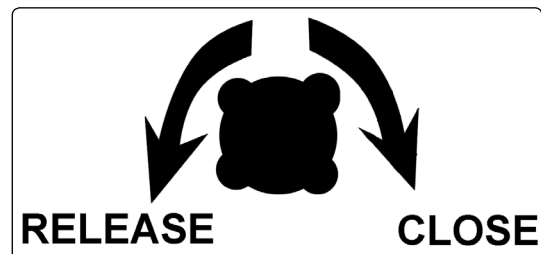


Fig 2

4. OPERATING

WARNING! Before use, ensure that you have read, understood and apply Section 1 safety instructions.

▲ DANGER! The press is purpose designed to withstand greater loads than the hydraulic unit can develop. For safety reasons, always ensure the workpiece is secured on the work table to ensure loads that flex will not suddenly "give" causing danger to operator or damage to component. Ensure you have read and understood Section 1 safety instructions.

4.1 OPERATING

4.1.1 Place the "V" blocks (item 9) onto the work table, then place workpiece onto the "V" blocks **Note:** Care must be taken to ensure that the "V" blocks do not fall from the work table. If necessary hold the configuration in position with clamps.

4.1.2 Turn control valve knob clockwise to close valve.

4.1.3 Pump handle to apply load to the workpiece.

WARNING! DO NOT apply off-centre loads.

4.1.4 When work is done, stop pumping the handle. Slowly and carefully release load from workpiece by turning control valve knob counter clockwise, in small increments.

Note: Always keep the hydraulic unit fully retracted after use to avoid ram corrosion.

4.1.5 Once the hydraulic unit has been fully retracted, remove the workpiece from the press.

5. MAINTENANCE

Note: Maintenance and repair must only be carried out by a qualified person. Contact your Sealey dealer for details.

- 5.1 Always keep the press clean, dry and lubricate all moving parts at regular intervals.
- 5.2 When not in use always store in a dry location with the hydraulic unit fully retracted.
- 5.3 Should you need to check or replace oil, ensure the hydraulic unit is fully retracted. Remove the oil reservoir filler plug and top up using Sealey hydraulic jack oil (Sealey Part No's: HJO500MLS/HJO5LS). **DO NOT** use brake fluid. After filling, purge the system as described in Section 3.7 to remove any air.

The most comprehensive range of Hydraulic - Air/Hydraulic Presses in the UK. Regardless of application or budget we have a press to suit your requirements. With so many different features and benefits across the range we have put together a simple guide to help you choose the right model. See below for full details and look out for the logos alongside each model.

YANKEE LOGO

The most economical models within the range but still maintaining the quality, making these models great value.

PREMIER RED LOGO

The latest models to be added. Heavy-duty frames with ram assemblies that can slide left or right allowing greater flexibility during use.

HYDRAULIC LOGO

Manual hydraulic pump and ram. Some Yankee models have detachable pump and ram allowing hydraulics to be used for other purposes when press is not in use.

AIR HYDRAULIC LOGO

Hydraulic ram powered by pump that can be operated manually or with the aid of an air operated motor, simply connect air hose and pull the trigger or push the foot pedal.

SLIDING RAM LOGO

Sliding ram assemblies allow you to position the ram for pressing objects not central on the workpiece. See lateral ram travel figures in specification tables.

TORQUE ADJUSTER LOGO

Torque Adjustable hydraulic pump enables lighter pumping when needing higher torque.

FOOT PEDAL LOGO

Hand or foot pedal operation of hydraulic unit. Using foot pedal keeps hands free for fine positioning of workpiece before pressing starts.

Parts support is available for this product.

To obtain a parts list and diagram please log on to www.sealey.co.uk, email sales@sealey.co.uk or phone 01284 757500

IMPORTANT: NO RESPONSIBILITY IS ACCEPTED FOR INCORRECT USE OF THE PRESS.

Hydraulic products are only repaired by local service agents. We have service/repair agents in all parts of the UK.

DO NOT RETURN PRODUCT TO US. Please telephone us on 01284 757500 to obtain the address and phone number of your local agent.

If product is under guarantee please contact your dealer.

De-commissioning Product

Should the product become completely unserviceable and require disposal, draw off the oil into an approved container and dispose of the product and the oil according to local regulations.

NOTE: It is our policy to continually improve products and as such we reserve the right to alter data, specifications and component parts without prior notice.

IMPORTANT: No liability is accepted for incorrect use of product.

WARRANTY: Guarantee is 12 months from purchase date, proof of which will be required for any claim.

INFORMATION: For a copy of our latest catalogue and promotions call us on 01284 757525 and leave your full name and address, including postcode.



Sole UK Distributor, Sealey Group,
Kempson Way, Suffolk Business Park,
Bury St. Edmunds, Suffolk,
IP32 7AR



01284 757500



01284 703534



www.sealey.co.uk



sales@sealey.co.uk