

Thank you for purchasing a Sealey product. Manufactured to a high standard this product will, if used according to these instructions and properly maintained, give you years of trouble free performance.



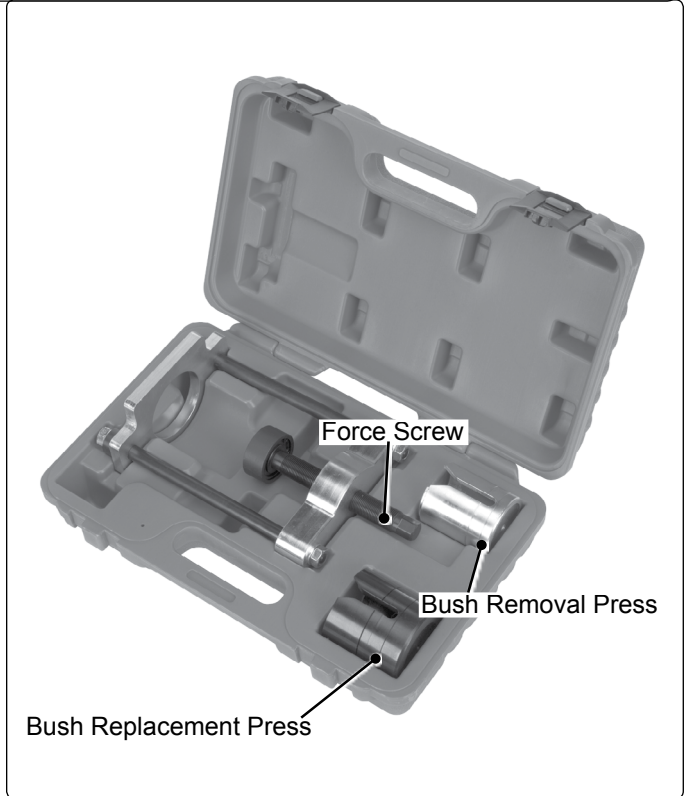
**IMPORTANT:** READ THESE INSTRUCTIONS CAREFULLY. NOTE THE SAFE OPERATIONAL REQUIREMENTS, WARNINGS AND CAUTIONS. USE THE TOOL CORRECTLY AND WITH CARE FOR THE PURPOSE FOR WHICH IT IS INTENDED. FAILURE TO DO SO MAY CAUSE DAMAGE AND/OR PERSONAL INJURY AND WILL INVALIDATE THE WARRANTY. PLEASE KEEP INSTRUCTIONS SAFE FOR FUTURE USE.

### 1. SAFETY INSTRUCTIONS

- WARNING!** Ensure Health and Safety, local authority and general workshop practice regulations are adhered to when using tools.
  - DO NOT** use tools if damaged.
  - Maintain tools in good and clean condition for best and safest performance.
  - Ensure that a vehicle which has been jacked up is adequately supported with axle stands and that the wheels are chocked.
  - Ensure that the rear axle is adequately supported, refer to the vehicle manufacturer's service instructions, or a proprietary manual.
  - Wear approved eye protection. A full range of personal safety equipment is available from your Sealey dealer.
  - Wear suitable clothing to avoid snagging. Do not wear jewellery and tie back long hair.
  - DO NOT** use air tools to operate the force screw.
- IMPORTANT:** The force screw must be kept well lubricated.

**IMPORTANT:** This manual is provided as a guide only, refer to the vehicle manufacturer's service instructions, or a proprietary manual, to establish the current procedure and data.

- WARNING!** Failure to heed safety and warning instructions may result in damage and/or personal injury and will invalidate the warranty.
- WARNING!** The warnings, cautions & instructions referred to in this manual cannot cover all possible conditions and situations that may occur. It must be understood that common sense and caution are factors which cannot be built into this product, but must be applied by the operator.

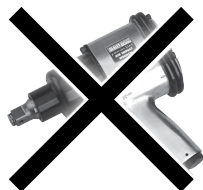


**Force screw maximum load 150Nm. Exceeding this load will shorten the life of the force screw. The force screw is considered to be a consumable item and is NOT covered under warranty.**

**ALWAYS KEEP FORCE SCREW WELL LUBRICATED.**



**DO NOT USE AIR TOOLS**



### 2. INTRODUCTION & APPLICATIONS

Remove/install rear sub-frame bushes on Ford Focus.  
 Can be used in situ - no need to remove sub-frame from vehicle.  
 Ford Focus MK1 1998 – 2004.

**IMPORTANT:** This tool is designed to aid removal of the suspension bush.

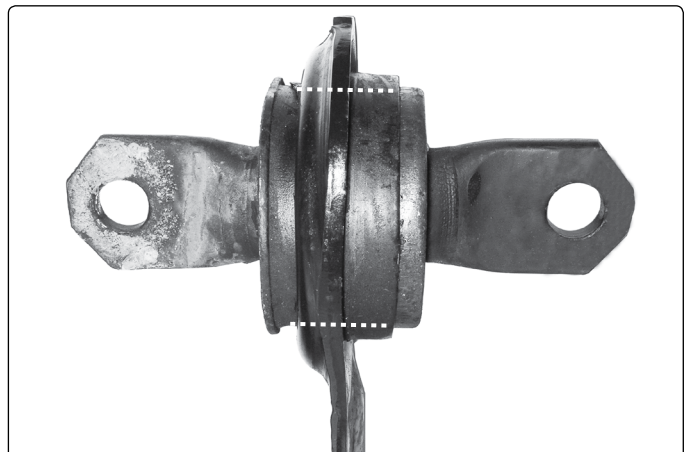
- Adequate consideration should be made to lubricate or otherwise ease the fit of the bush prior to use of this tool.
- We suggest that the bush is thoroughly lubricated and the area around the bush cleaned.
- The threads of the tool should also be thoroughly lubricated in use.
- **An Impact Socket must NOT be used with this tool.**
- **Stripped threads and bent thrust cups are not accepted warranty claims on this tool.**

### 3. OPERATION

**NOTE!** Pictures taken with the trailing arm removed from vehicle for clarity.

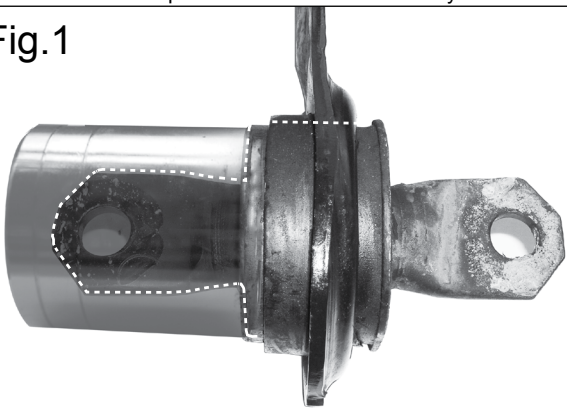
**NOTE!** The tool will insert the bush to the correct depth, but before installing the new bush, refer to the vehicle manufacturer's service instructions, or a proprietary manual, to establish the correct horizontal alignment/positioning of the bush in the trailing arm.

Bush before removal from trailing arm.



3.1. Attach the silver removal press as in Fig.1. Note the inner shoulder of the press fits inside the outer body of the bush.

Fig.1

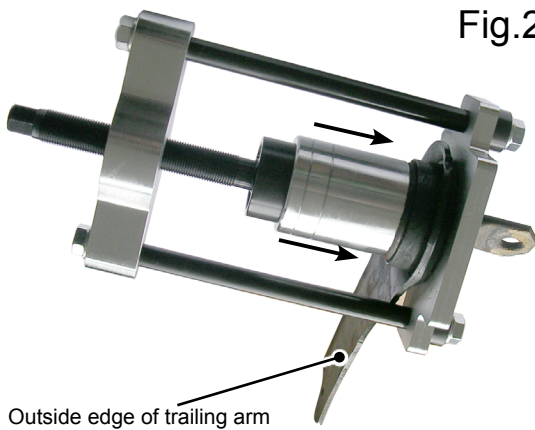


3.2. Assemble as in Fig.2.

- Wind the force screw clockwise. The press will start to push the bush through the trailing arm.
- Keep winding until the bush has been pushed all the way out of the trailing arm.

NOTE! If any undue resistance is felt, remove the press and check everything is correctly aligned. The bush will only push out in one direction (Fig.2).

Fig.2

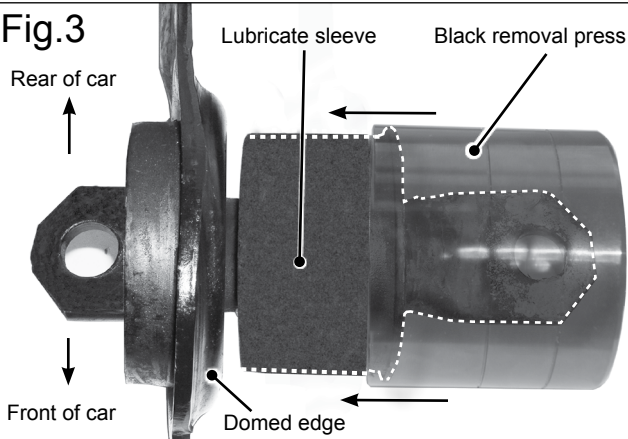


3.3. Fitting new bush.

- Before fitting the new bush, thoroughly clean and lubricate the trailing arm.
- Thoroughly lubricate the bush sleeve to help ease refitting.

NOTE! The bush must be pressed through from the domed (inside) edge of the trailing arm (Fig.3).

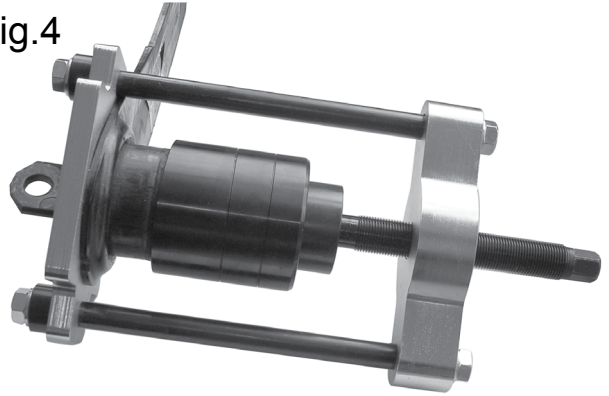
Fig.3



3.4. Assemble the press on the trailing arm as below (Fig.4).

- The bush should fit into the recess on the black replacement press (Fig.3).
- To facilitate correct positioning of the bush, the replacement press has a raised shoulder on the opposite edge to the cutaway. Align the replacement press so the cut-away faces towards the rear of the trailing arm (cut-away facing the rear of the car) (Fig.5).

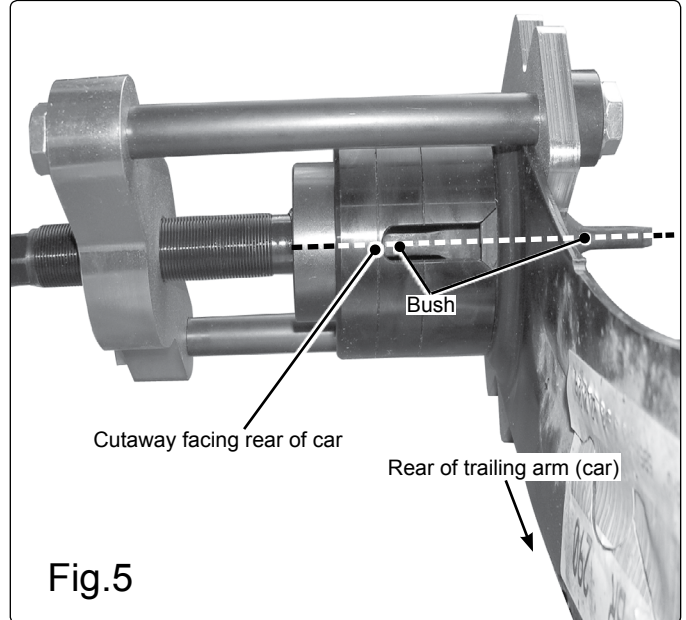
Fig.4



3.5. Wind the force screw clockwise.

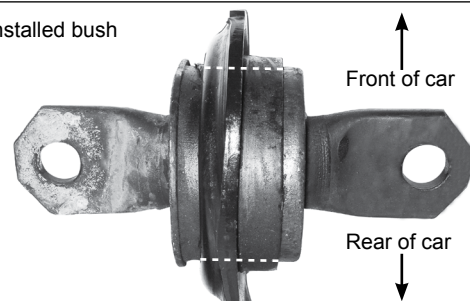
NOTE! If any undue resistance is felt, remove the press and check everything is correctly aligned.

- When the press makes contact with the trailing arm, the bush is fully installed.



3.6. Remove the tool, clean and lubricate before returning to storage case.

Fully installed bush



**Environmental Protection.**

Recycle unwanted materials instead of disposing of them as waste. All tools, accessories and packaging should be sorted, taken to a recycle centre and disposed of in a manner which is compatible with the environment.

NOTE: It is our policy to continually improve products and as such we reserve the right to alter data, specifications and component parts without prior notice.

IMPORTANT: No liability is accepted for incorrect use of this product.

WARRANTY: Guarantee is 12 months from purchase date, proof of which will be required for any claim.

INFORMATION: For a copy of our latest catalogue and promotions call us on 01284 757525 and leave your full name and address, including postcode.

**SEALEY Professional TOOLS**  
Auto Service Line

Sole UK Distributor, Sealey Group,  
Kempton Way, Suffolk Business Park,  
Bury St. Edmunds, Suffolk,  
IP32 7AR



01284 757500



www.sealey.co.uk



01284 703534



sales@sealey.co.uk