



INSTRUCTIONS FOR:  
**DIESEL FUEL PRIMING SET**  
 MODEL No: **VS555**

**WARNING! DO NOT USE THIS KIT ON THE HIGH PRESSURE FUEL CIRCUIT.**

Thank you for purchasing a Sealey product. Manufactured to a high standard, this product will, if used according to these instructions, and properly maintained, give you years of trouble free performance.



**IMPORTANT: PLEASE READ THESE INSTRUCTIONS CAREFULLY. NOTE THE SAFE OPERATIONAL REQUIREMENTS, WARNINGS & CAUTIONS. USE THE PRODUCT CORRECTLY AND WITH CARE FOR THE PURPOSE FOR WHICH IT IS INTENDED. FAILURE TO DO SO MAY CAUSE DAMAGE AND/OR PERSONAL INJURY AND WILL INVALIDATE THE WARRANTY. KEEP THESE INSTRUCTIONS SAFE FOR FUTURE USE.**

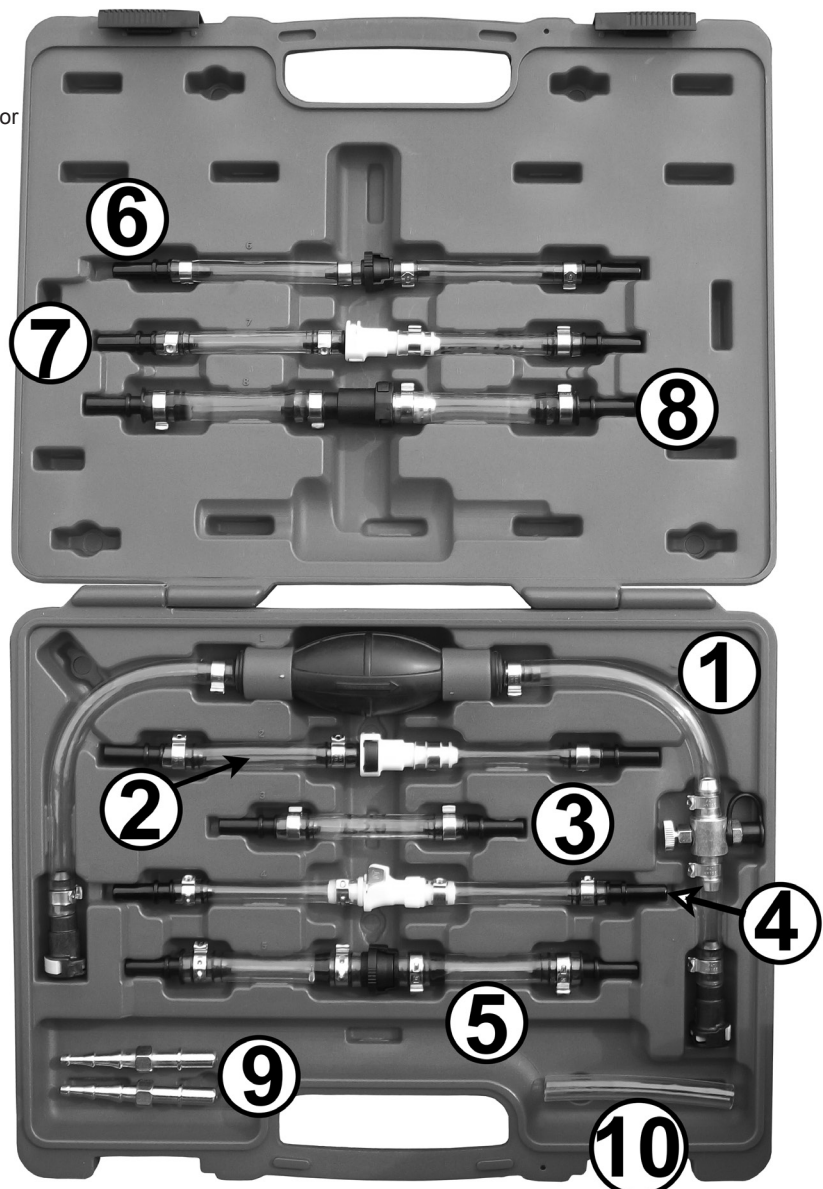
**1. SAFETY**

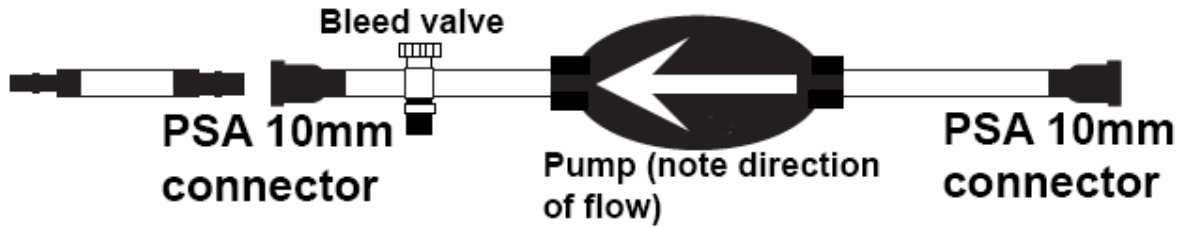
- WARNING!** Ensure Health and Safety, local authority, and general workshop practice regulations are adhered to when using tools.
- DO NOT** use tools if damaged.
- Maintain tools in good and clean condition for best and safest performance.
- If the vehicle to be worked on is raised, ensure that it is supported adequately with axle stands or ramps and chocks.
- Wear approved eye protection. A full range of personal safety equipment is available from your Sealey dealer.
- Wear suitable clothing to avoid snagging. **DO NOT** wear jewellery and tie back long hair.
- IMPORTANT: Always** refer to the vehicle manufacturer's service instructions, or a proprietary manual, to establish the current procedure and data. These instructions are provided as a guide only.
- WARNING! Ensure that any spilt fuel is cleaned up immediately.**
- DO NOT** remove any fasteners fitted to the pump or fuel connectors, as this will introduce air leaks and will invalidate the warranty.

**2. INTRODUCTION**

A comprehensive fuel priming set fitted with the latest male and female quick connectors found on Ford, Fiat, Vauxhall/Opel, Land Rover, Mercedes-Benz, PSA, Renault and Rover vehicles. Designed to work in conjunction with the low pressure fuel circuit, to reintroduce fuel back up to the fuel line after maintenance. Clear pipes allow visual detection of any air within the fuel system or any air being inadvertently drawn into the fuel line. Two universal connectors and one clear pipe allow connection to older vehicles not fitted with quick release connectors.

No.	Part No.	Description
1	VS555.01	Pump
2	VS555.02	Ford
3	VS555.03	PSA 10mm
4	VS555.04	OEM Fuel Priming Tool Connector
5	VS555.05	Renault, GM, Fiat (Large)
6	VS555.06	Renault, GM, Fiat (Small)
7	VS555.07	GM, Ford 8mm PSA
8	VS555.08	Ford
9	VS555.09	Singles (Universal)
10	VS555.10	Tube





**Environmental Protection**

Recycle unwanted materials instead of disposing of them as waste. All tools, accessories and packaging should be sorted, taken to a recycling centre and disposed of in a manner which is compatible with the environment. When the product becomes completely unserviceable and requires disposal, drain off any fluids (if applicable) into approved containers and dispose of the product and the fluids according to local regulations.

**NOTE:** It is our policy to continually improve products and as such we reserve the right to alter data, specifications and component parts without prior notice.

**IMPORTANT:** No liability is accepted for incorrect use of this product.

**WARRANTY:** Guarantee is 12 months from purchase date, proof of which will be required for any claim.

**INFORMATION:** For a copy of our latest catalogue and promotions call us on 01284 757525 and leave your full name and address, including postcode.



**Sole UK Distributor, Sealey Group,**  
Kempson Way, Suffolk Business Park,  
Bury St. Edmunds, Suffolk,  
IP32 7AR



01284 757500



01284 703534



[www.sealey.co.uk](http://www.sealey.co.uk)



[sales@sealey.co.uk](mailto:sales@sealey.co.uk)