

**DIGITAL TREAD DEPTH GAUGE - VOSA APPROVED**

Thank you for purchasing a Sealey product. Manufactured to a high standard this product will, if used according to these instructions and properly maintained, give you years of trouble free performance.



**IMPORTANT PLEASE READ THESE INSTRUCTIONS CAREFULLY. NOTE THE SAFE OPERATIONAL REQUIREMENTS, WARNINGS, AND CAUTIONS. USE THIS PRODUCT CORRECTLY AND WITH CARE, FOR THE PURPOSE FOR WHICH IT IS INTENDED. FAILURE TO DO SO MAY CAUSE DAMAGE AND/OR PERSONAL INJURY AND WILL INVALIDATE THE WARRANTY.**

**1. SAFETY INSTRUCTIONS**

- WARNING! Ensure Health and Safety, local authority and general workshop practice regulations are adhered to when using tools and equipment.**
- DO NOT** use gauge if damaged.
- Maintain gauge in good and clean condition for best performance.
- Keep the work area clean, uncluttered and ensure there is adequate lighting.
- Keep children and unauthorised persons away from the work area.
- DO NOT** use the gauge for any purpose other than for which it is designed.
- DO NOT** get gauge wet or use in damp or wet locations, or areas where there is condensation. Keep gauge clean and dry using a dry cotton cloth only.
- DO NOT** dip or submerge the gauge in any type of liquid.
- DO NOT** expose gauge to bright sunlight or dust.
- DO NOT** dis-assemble gauge. The gauge must be checked by qualified service personnel only.
- DO NOT** apply any voltage to the gauge i.e. with an electric marker pen.
- The gauge is a precision instrument, treat with care, avoid using force and do not subject to knocks or shocks.
- Use gauge in reasonably constant temperature conditions of approximately 20°C.
- When not in use, turn off and store gauge in a safe, dry, childproof location.

**2. INTRODUCTION & SPECIFICATION**

Calibrated and VOSA approved for use when MOT testing all classes of vehicle. Hardened and tempered stainless steel gauge. 7mm High figures in LCD display for ease of reading. Metric and Imperial calibration with conversion between the two. Zero setting control allows for comparative measurement. Supplied with zero set bar.

Specification.....	Depth Gauge
Resolution.....	0.01mm/0.0005"
Range.....	0-10mm/0.04"
Accuracy.....	±0.01mm/0.0005"
Battery type.....	CR2032 (3V)
Operating temp.....	0°C - 40°C
Storage temp.....	-10°C - 60°C

**Figure 1**

Item	Description
1	Depth measuring probe
2	LCD Display
3	mm/inch Button
4	Locking screw
5	Base
6	Power "ON/OFF" button
7	Zero set button
8	Battery cover
9	Beam
10	Zero set bar
11	Battery

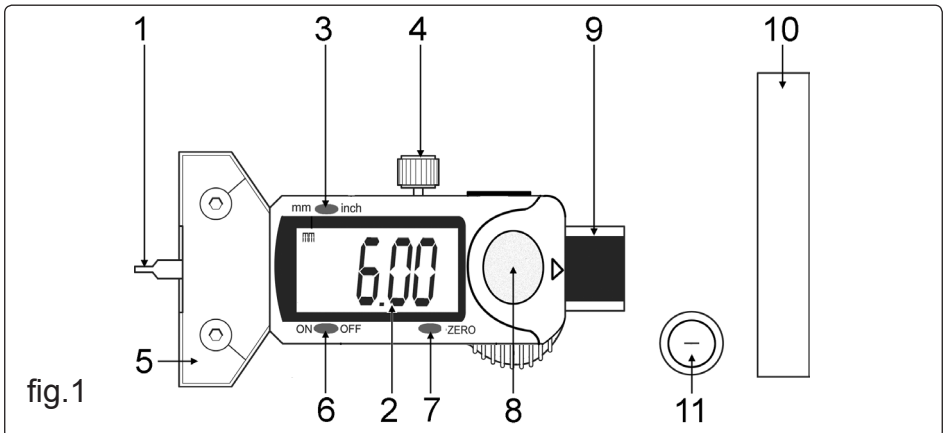


fig.1

### 3. OPERATION

#### 3.1 ZERO SETTING

Prior to operation, perform a zero setting. To do this place the gauge foot on the zero set bar (fig 1 item 10) and press the probe down until it is level with the base then press the 'ZERO' button, the gauge has been set to zero when the LCD displays '0.00'. Note: After zero setting, the gauge retains this setting until the 'ZERO' button is pressed again or battery is removed.

#### 3.2 PRODUCT USAGE

Switch on the gauge by pressing the ON/OFF button. Place the gauge foot across the tyre tread with the probe tip over the tyre groove. Press the probe down until it stops moving then read the display. The pressure exerted by the tip of the measuring probe must be uniform and constant to ensure correct and stable readings. Do not press too hard or incorrect results will be recorded.

### 4. MAINTENANCE

#### 4.1 BATTERY INSTALLATION/REPLACEMENT

**NOTE!** The battery should last for one year of continuous use. If the display is blank or the digits are flashing the battery voltage is too low, replace the battery with a new CR2032 power cell. If the digits do not change when buttons are pressed or probe is moved, remove the battery for 1 minute to reset the unit. The battery should be removed if the gauge is not to be used for a long period of time.

4.1.1 Remove battery cover (fig.2-A) by sliding backwards and lifting off.

4.1.2 Remove rubber spacer (fig.2-B) and exhausted battery (fig.2-C) and fit replacement with +ve side uppermost. Place the rubber spacer on top of the battery and press it into the recess. Slide the cover back into place.

4.1.3 Dispose of old battery in a safe and approved manner. Do not burn. If the display fails to alter when the slide is moved, remove the battery, wait at least 1 minute and then refit the battery.

#### 4.2 CALIBRATION

Tyre Depth Gauge should be re-calibrated annually by Sealey Power Products.

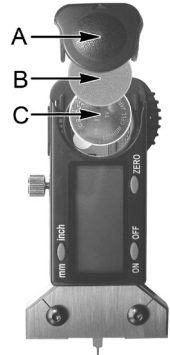


fig.2



VS0563

#### Environmental Protection.



Recycle unwanted materials instead of disposing of them as waste. All tools, accessories and packaging should be sorted, taken to a recycle centre and disposed of in a manner which is compatible with the environment.



When the product is no longer required, it must be disposed of in an environmentally protective way. Do not incinerate battery as it may explode when exposed to fire. Do not attempt to open battery. Contact your local solid waste authority for recycling information.

**NOTE:** It is our policy to continually improve products and as such we reserve the right to alter data, specifications and component parts without prior notice. **IMPORTANT:** No liability is accepted for incorrect use of this product.

**WARRANTY:** Guarantee is 12 months from purchase date, proof of which will be required for any claim. **INFORMATION:** For a copy of our catalogue and latest promotions call us on 01284 757525 and leave your full name, address and postcode.



Sole UK Distributor  
Sealey Group,  
Bury St. Edmunds, Suffolk.



01284 757500



01284 703534



[www.sealey.co.uk](http://www.sealey.co.uk)



[sales@sealey.co.uk](mailto:sales@sealey.co.uk)