

Thankyou for purchasing this Sealey product. Manufactured to a high standard this product will, if used according to these instructions and properly maintained, give you years of trouble free performance.



IMPORTANT: READ THESE INSTRUCTIONS CAREFULLY. USE THIS CLUTCH ALIGNMENT TOOL CORRECTLY AND WITH CARE FOR THE PURPOSE FOR WHICH IT IS INTENDED. FAILURE TO DO SO MAY CAUSE DAMAGE OR PERSONAL INJURY AND WILL INVALIDATE THE WARRANTY. RETAIN THESE INSTRUCTIONS FOR FUTURE USE.

1. SAFETY INSTRUCTIONS

- WARNING!** Ensure that Health and Safety, local authority and general workshop practice regulations are adhered to when using this tool.
- DO NOT** use this tool if damaged.
- Maintain tool in a good and clean condition for best and safest performance.
- Ensure that the ignition key is removed, to prevent inadvertent engine cranking.
- If the vehicle to be worked on is raised, ensure that it is adequately supported with axle stands or ramps and chocks.
- Wear suitable clothing to avoid snagging. **DO NOT** wear loose jewellery and tie back long hair.
- Account for all tools and parts being used.
- If working off the vehicle, ensure that the workpiece is secure and stable.
- DO NOT** use the alignment tool if you are tired or under the influence of alcohol, drugs or intoxicating medication.

IMPORTANT: Always refer to the individual vehicle manufacturer's service instructions, or a proprietary manual, to establish the correct procedure and data for the use of this tool.

This document is provided as a guide only.

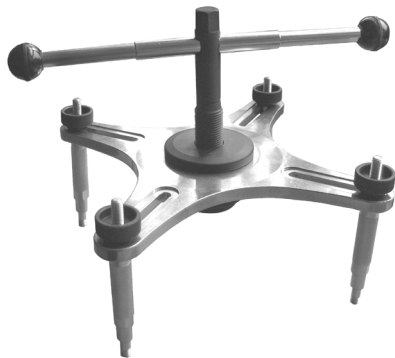
2. SPECIFICATION

Necessary for pre-tensioning self adjusting clutches before removal or installation. Prevents plate distortion which can lead to the clutch disengaging or dragging. Features a resetting tool and six alignment adaptors allowing the clutch adjuster to be wound back.

Alignment adaptor sizes: Ø15/23mm, Ø15/28mm, Ø15/34mm, Ø21/23mm, Ø20/23mm, Ø14&15/20mm

Assembly Flywheel Threads: M6 x 1.0mm, M7 x 1.0mm, M8 x 1.25mm

3. CONTENTS

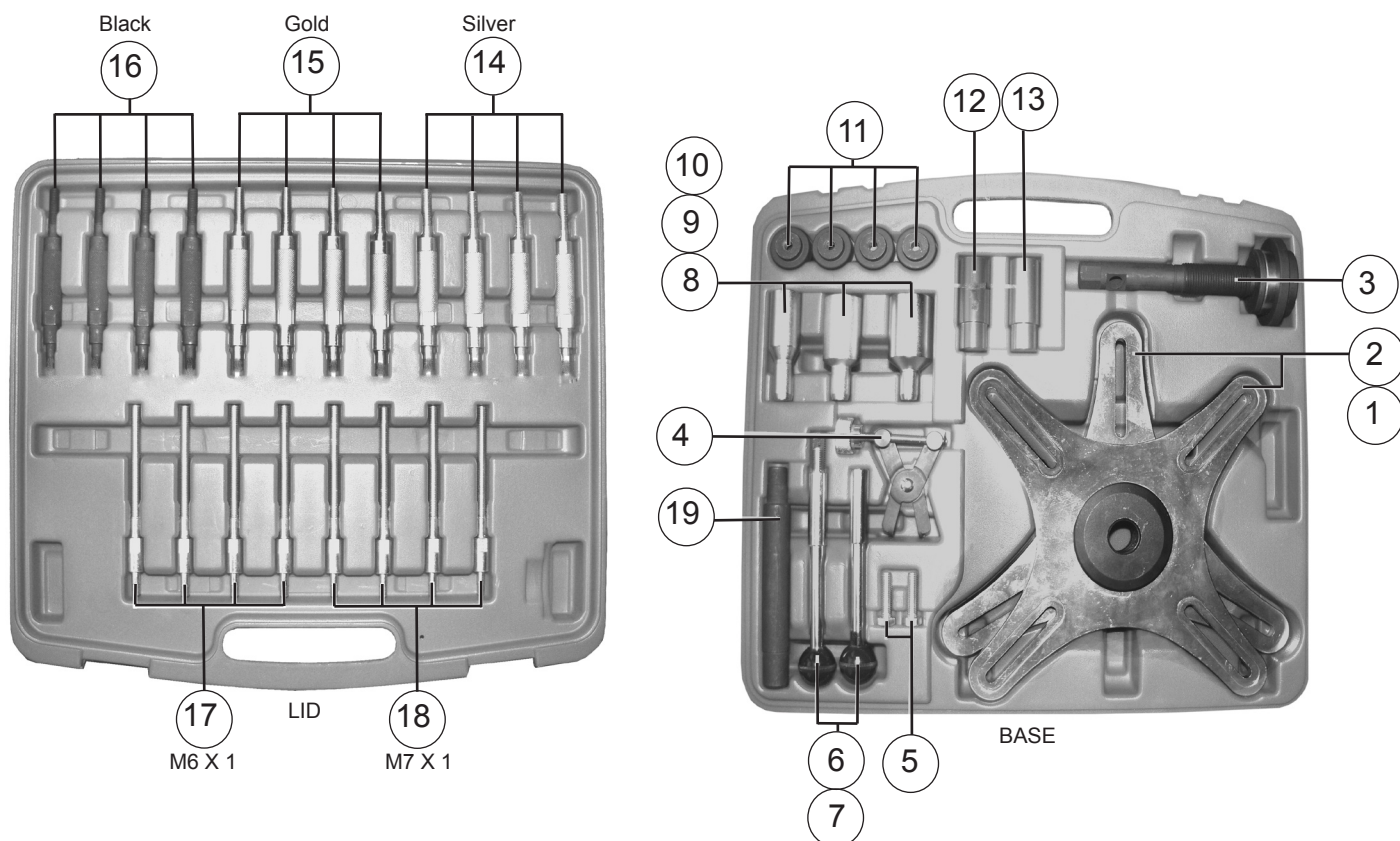


Assembled alignment tool



Contents of Kit

Contents Location



ITEM	PART No	DESCRIPTION	QTY
1	VS011A.V2-01	4 SLOT ALIGNMENT PLATE	1
2	VS011A.V2-02	3 SLOT ALIGNMENT PLATE	1
3	VS011A.V2-03	PRESSURE SCREW	1
4	VS011A.V2-04	CLUTCH RESETTING TOOL	1
5	VS011A.V2-05	EXTRACTOR SCREW	2
6	VS011A.V2-06	HANDLE [A] MALE THREAD	1
7	VS011A.V2-07	HANDLE [B] FEMALE THREAD	1
8	VS011A.V2-08	Ø15/23 ALIGNMENT ADAPTOR	1
9	VS011A.V2-09	Ø15/28 ALIGNMENT ADAPTOR	1
10	VS011A.V2-10	Ø15/34 ALIGNMENT ADAPTOR	1
11	VS011A.V2-11	ADAPTOR STUD RETAINER	4
12	VS011A.V2-12	ALIGNMENT ADAPTOR (BLUE)	1
13	VS011A.V2-13	ALIGNMENT ADAPTOR (RED)	1
14	VS011A.V2-14	ADAPTOR STUD (SILVER) [M8]	4
15	VS011A.V2-15	ADAPTOR STUD (GOLD) [M8]	4
16	VS011A.V2-16	ADAPTOR STUD (BLACK) [M8]	4
17	VS011A.V2-17	ADAPTOR STUD (M6)	4
18	VS011A.V2-18	ADAPTOR STUD (M7)	4
19	VS011A.V2-19	Ø14/15/20 ALIGNMENT ADAPTOR	1

NOTE: It is our policy to continually improve products and as such we reserve the right to alter data, specifications and component parts without prior notice.

IMPORTANT: No liability is accepted for incorrect use of this product.

WARRANTY: Guarantee is 12 months from purchase date, proof of which will be required for any claim.

INFORMATION: For a copy of our latest catalogue and promotions call us on 01284 757525 and leave your full name and address, including postcode.

SEALEY Professional
TOOLS
Auto Service Line

Sole UK Distributor, Sealey
Group, Kempson Way, Suffolk
Business Park, Bury St. Edmunds,
Suffolk,
IP32 7AR

01284 757500

www.sealey.co.uk

01284 703534

sales@sealey.co.uk