

Thank you for purchasing a Sealey product. Manufactured to a high standard this product will, if used according to these instructions and properly maintained, give you years of trouble free performance.



**IMPORTANT: PLEASE READ THESE INSTRUCTIONS CAREFULLY. NOTE THE SAFE OPERATIONAL REQUIREMENTS, WARNINGS AND CAUTIONS. ALSO CONSULT YOUR VEHICLE MANUFACTURER'S HANDBOOK AND TAKE NOTE OF ANY SPECIAL INSTRUCTIONS RELATING TO TOWING. USE THIS PRODUCT CORRECTLY AND WITH CARE FOR THE PURPOSE FOR WHICH IT IS INTENDED. FAILURE TO DO SO MAY CAUSE DAMAGE OR PERSONAL INJURY AND WILL INVALIDATE THE WARRANTY. PLEASE KEEP INSTRUCTIONS SAFE FOR FUTURE USE.**

## 1. SAFETY INSTRUCTIONS

- ✓ This trailer/cart is designed for use on private land only.
- ✓ Maximum towing speed must not exceed 10mph.
- ✗ **DO NOT** tow this trailer/cart on public roads or thoroughfares.
- ✗ **DO NOT** allow passengers to travel in the trailer.
- ✓ It is important that your trailer/cart is serviced on a regular basis to ensure your own safety and that of others in the area of use.
- ✓ Maintain the trailer/cart in good condition. Replace or repair damaged parts. Use recommended parts only. Unauthorised parts may be dangerous and will invalidate the warranty.
- ✓ Ensure that the towing vehicle has a correctly and solidly mounted towing bracket.
- ✓ The towing bracket must be strong enough to tow a fully laden trailer. Check that there is no corrosion in the area of the mountings.
- ✓ It is your responsibility to ensure that the towing vehicle is adequate to tow the trailer and its load. Check that the brakes are powerful enough. Check that the gross weight of the trailer does not exceed the towing capacity of the vehicle. The vehicle manufacturer's recommended towing limit should be in the vehicle manufacturer's handbook.
- ✓ The addition of a loaded trailer to a vehicle will have a very serious effect on the vehicles performance. Starting, particularly on hills, can be much more laboured; stopping can take longer distances; cornering and negotiating sharp bends require extra care. If you have no experience of towing a trailer you should practice in a quiet area. Particular attention should be paid to reversing a trailer/cart to avoid jackknifing.
- ✓ Certain loads may require to be securely tied down or restrained.
- ✓ There must be no load projections outside the trailer/cart that might cause danger to others in the area.
- ✓ Loads must be evenly distributed within the trailer/cart and positioned in such a way as to keep the trailer/cart level.
- ✓ The nose weight is an important factor in keeping the vehicle/trailer combination stable during towing. If the load is too far back, inadequate nose weight will result in snaking problems. If the load is too far forward, resulting in excessive nose weight, the rear of the vehicle may be forced down resulting in a detrimental effect on the steering.
- ✓ Always ensure that the tyre pressures are correct and that the tyres are free from cuts and bulges and have adequate tread.
- ✓ Always ensure that the trailer is correctly connected to the towing bracket before setting off.

## 2. INTRODUCTION

Manufactured from a heavy-duty steel frame and trailer bed. Fitted with pneumatic tyres for transport over the toughest terrain. All four sides drop down using locking pin function for easy loading. Can also be used as a flatbed for transporting oversized items. Features foot pedal release mechanism for tipping trailer bed.

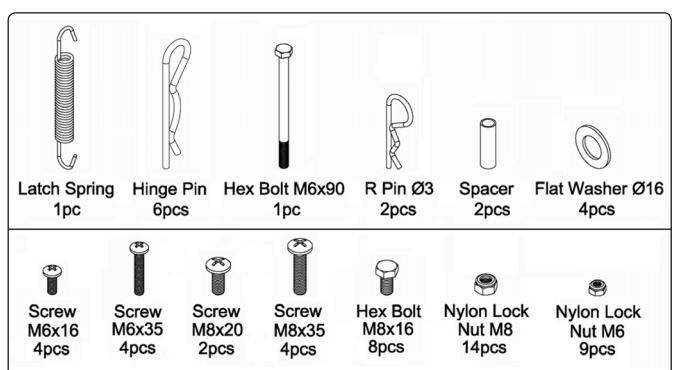
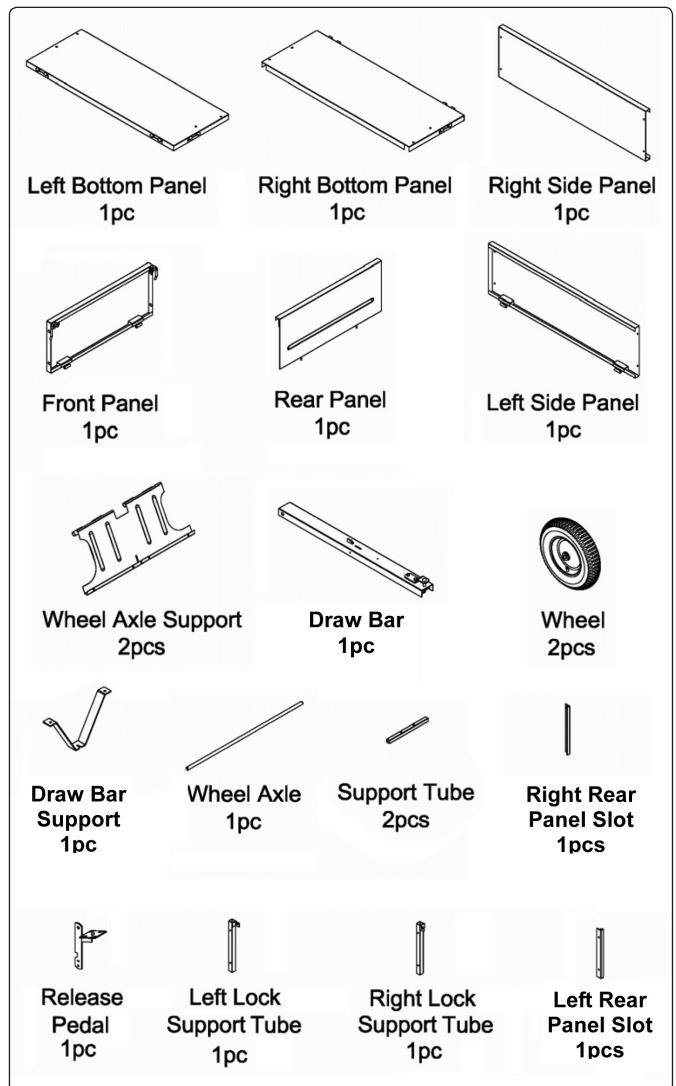
## 3. SPECIFICATION

### Specification:

Model No: ..... TBB230  
 Capacity: ..... 230kg  
 Tyre Size: ..... Ø380 x 90mm  
 Trailer Bed ..... Internal Dimensions  
 Length ..... 970mm  
 Width: ..... 715mm  
 Depth: ..... 305mm  
 Overall Trailer Height: ..... 750mm

## 4. COMPONENT PARTS & FIXINGS

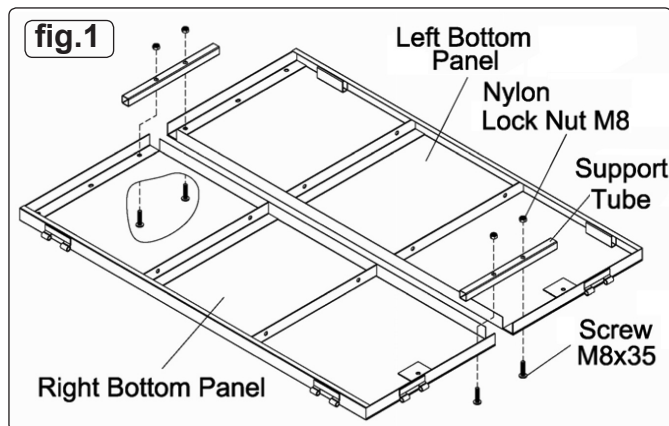
- 4.1 Unpack all components including the hardware pack and check the contents against the diagrams below. If any parts are damaged or missing contact your Sealey dealer.



## 5 . ASSEMBLY

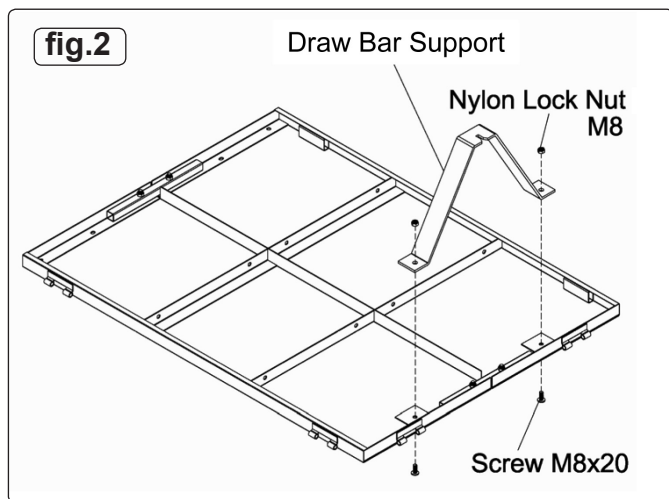
### 5.1. Attach the Bottom Panels and Support Tubes.

- 5.1.1 Lay the left and right bottom panels together as shown in fig.1.  
 5.1.2 Join the panels together with the two support tubes using four sets of M8x35mm screws and M8 nylon lock nuts. Hand tighten the nuts.



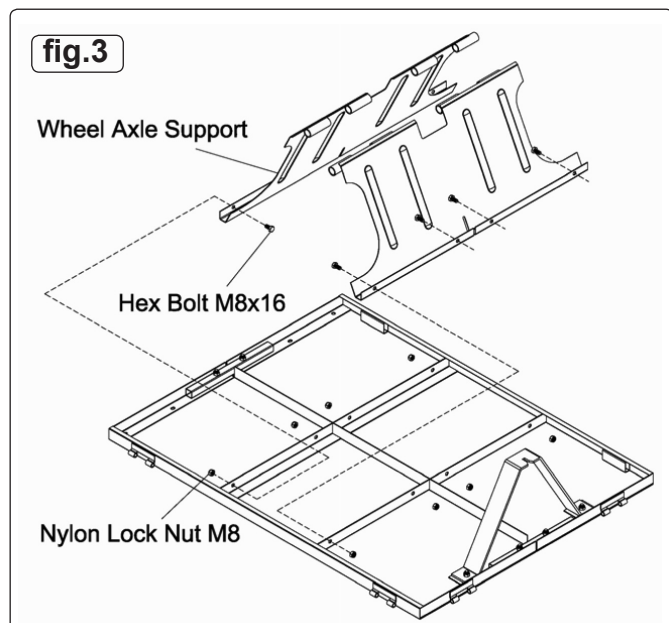
### 5.2. Attach the Draw Bar Support.

- 5.2.1 Attach the draw bar support to the bottom panels using two M8x20mm screws and M8 nylon lock nuts. Hand tighten the nuts.



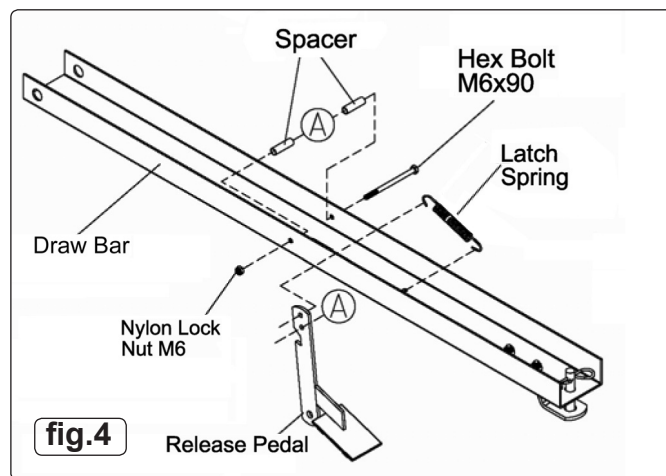
### 5.3. Attach the Wheel Axle Supports.

- 5.3.1 Connect the two wheel axle supports and attach them to the bottom panels using eight sets of M8x16 hex bolts and M8 nylon lock nuts. Hand tighten the nuts.



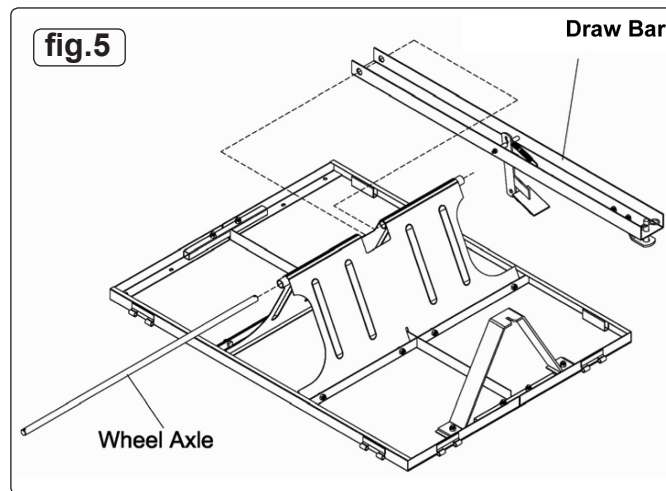
### 5.4. Attach the release pedal.

- 5.4.1 Insert the release pedal through the slot in the draw bar and create the pedal pivot by inserting an M6x90mm hex bolt through the draw bar and hole 'A' in the pedal. Two spacer tubes should also be placed on the bolt, one either side of the pedal to keep it centrally placed within the draw bar. Retain the assembly with an M6 Nylon lock nut.  
 5.4.2 Attach the latch spring between the hole in the pedal lever and the hole in the draw bar as indicated in fig.4.



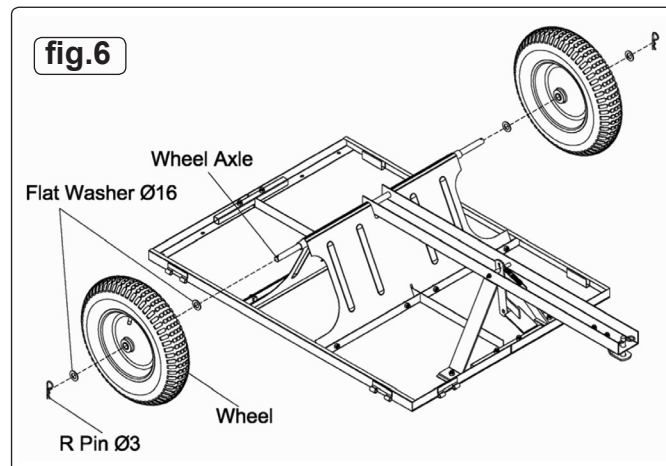
### 5.5. Attach the wheel axle.

- 5.5.1 Insert the draw bar assembly into the central slot in the wheel axle support.  
 5.5.2 Insert the axle through the hole and slide it through both the axle support and the draw bar assembly.  
 5.5.3 Tighten all fixings, previously left hand tight.



### 5.6. Attach the wheels.

- 5.6.1 Put a Ø16mm washer over the end of each axle followed by a wheel and then another Ø16mm washer.  
 5.6.2 Secure each wheel with an Ø3mm 'R' pin as shown in fig.6.



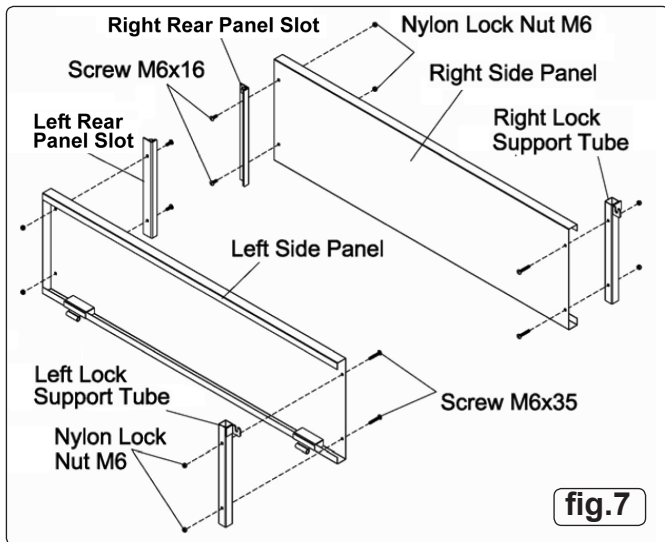


fig.7

**5.7 Attach the rear panel slots and lock support tubes.**

- 5.7.1 Attach the left and right rear panel slots to the side panels using four sets of M6x16mm screws and M6 nylon lock nuts.
- 5.7.2 Attach the left and right lock support tubes to the other end of the side panels using four sets of M6x35mm screws and M6 nylon lock nuts.

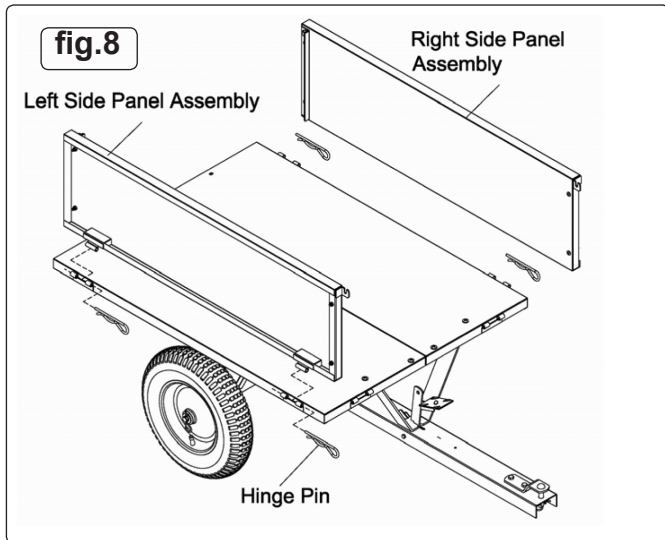


fig.8

**5.8 Attach the side panels and front panel.**

- 5.8.1 Attach the left and right side panel assemblies to the bottom panel using the four hinge pins as shown in fig.8.
- 5.8.2 Attach the front panel to the bottom panel using two hinge pins as shown in fig.9.

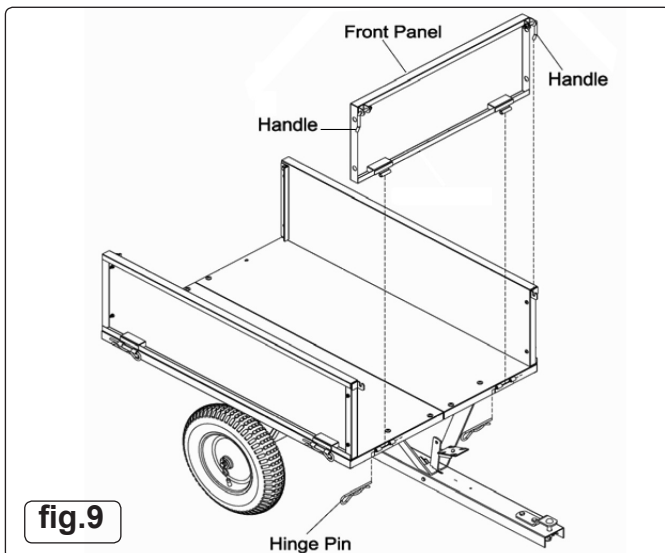


fig.9

- 5.8.3 Lock each side panel to the front panel as follows. Rotate the handles at each top corner of the front panel (see fig.9) through 180° so that they are pointing upwards. Let the bent part of each handle protrude into the slotted tag on each side panel. Rotate the handles back down into their original positions so that the slotted tags are retained against the side edges of the front panel.

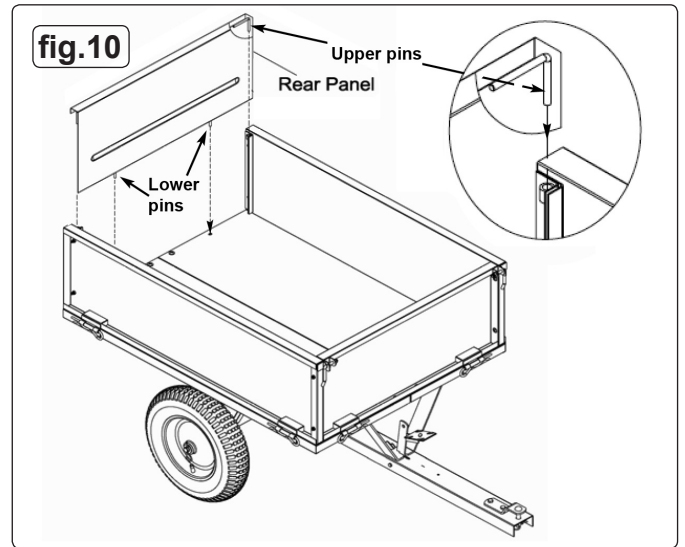


fig.10

**5.9 Attach the rear panel.**

- 5.9.1 Slide the rear panel down into the slotted channels at the rear of each side panel. At the bottom edge of the rear panel are two pins which must pass through holes in the base panel. At the top corners of the rear panel are two more pins that must pass into small tubes in the corners of the side panels in order to lock the panels together. See fig.10.



fig.11



fig.12



## 6. OPERATION

- ❑ **WARNING!** Read the safety instructions at the start of this document before using this product. Wear suitable protective clothing i.e. Gloves, Eye Protection, and reinforced work boots.
- 6.1 Towing the trailer/cart.**

NOTE: The maximum towing speed for this product is 10mph.

  - 6.1.1 Do not exceed the 230kg weight capacity of the cart.
  - 6.1.2 Only tow the trailer/cart with recommended vehicles i.e. Lawn/ Garden tractors and small ATVs (All Terrain Vehicles) e.g. Quadbike.
  - 6.1.3 Ensure that the trailer cart is correctly connected to the towing hitch on the vehicle and that the hitch pin is retained with the 'R' clip provided.
  - 6.1.4 It is your responsibility to ensure that the towing vehicle is adequate to tow the trailer and its load. Check that the brakes are powerful enough. Check that the gross weight of the trailer plus its load does not exceed the towing capacity of the vehicle. The vehicle manufacturer's recommended towing limit should be in the vehicle manufacturer's handbook.
  - 6.1.5 Always ensure that the rear panel is in place before loading the cart with loose material otherwise the sides may be pushed out making it difficult to attach the rear panel.
  - 6.1.6 Use extreme caution when operating the vehicle and trailer on sloping land especially when the cart is filled to capacity. If in doubt about stability in any situation, do not proceed.
  - 6.1.7 For best handling and traction always ensure that the load is evenly distributed in the cart.
- 6.2 To dump material from the cart.**
  - 6.2.1 To dump material from the cart firstly ensure that the cart is in the right position and that no one is in the dumping area.
  - 6.2.2 Remove the rear panel prior to dumping and stand clear of the cart.
  - 6.2.3 To tip the load, press the foot pedal. Gravity will ensure that a full load is swiftly shed and therefore no parts of your body should be in the way of the tipping container.
  - 6.2.4 Once the load is shed, take hold of the upper edge of the container and pull it back down onto the trailer/cart chassis until it latches back into the notch in the foot pedal lever.
  - 6.2.5 Immediately refit the rear panel ensuring that the alignment pins have engaged.
- ❑ **WARNING!** Do not tow the trailer with the container in the tipped position.
- 6.3 Use as a flat bed trailer.**
  - 6.3.1 By removing the back, front and side panels the trailer/cart can be used as a flat bed for transporting items that are bigger than the area of the trailer base such as fencing panels and other sheet material.
  - 6.3.2 Do not exceed the maximum weight capacity of 230kg.
  - 6.3.3 Over-sized loads must be properly strapped to the trailer/cart to prevent them moving during transit.
  - 6.3.4 Care should be taken when transporting over-sized loads that items projecting from the trailer do not collide with people or buildings and other fixtures and fittings such as gates and doorways.
- ❑ **WARNING!** It is not recommended that the trailer be towed with the side and front panels folded down. Always remove the panels to prevent them making contact with objects on the ground especially in areas of rough terrain.

## 7. MAINTENANCE & STORAGE

- 7.1 Maintenance.**
  - 7.1.1 After each use, clean any material out of the trailer/cart.
  - 7.1.2 If necessary rinse and dry the inside and outside of the trailer/cart.
  - 7.1.3 Regularly check the tyre pressures. The recommended pressure is 25 PSI.
  - 7.1.4 Grease the axle and wheel bearings every 6 months or more regularly if required.
  - 7.1.5 Periodically check all fasteners for tightness.
  - 7.1.6 Annually clean and lightly lubricate parts.
  - 7.1.7 Use a matching glossy enamel spray paint to touch up scratched or worn painted metal surfaces.
- 7.2 Storage.**
  - 7.2.1 Never allow materials to remain in the trailer cart for extended periods of time.
  - 7.2.2 Never store the trailer/ cart in a wet condition.
  - 7.2.3 Store indoors or in a protected area during the winter and other periods of severe weather.

**NOTE:** It is our policy to continually improve products and as such we reserve the right to alter data, specifications and component parts without prior notice.

**IMPORTANT:** No liability is accepted for incorrect use of this product.

**WARRANTY:** Guarantee is 12 months from purchase date, proof of which will be required for any claim.

**INFORMATION:** For a copy of our latest catalogue and promotions call us on 01284 757525 and leave your full name and address, including postcode.



Sole UK Distributor, Sealey Group,  
Kempson Way, Suffolk Business Park,  
Bury St. Edmunds, Suffolk,  
IP32 7AR



01284 757500

01284 703534



www.sealey.co.uk



sales@sealey.co.uk