

Thank you for purchasing a Sealey product. Manufactured to a high standard this product will, if used according to these instructions and properly maintained, give you years of trouble free performance.



**IMPORTANT: PLEASE READ THESE INSTRUCTIONS CAREFULLY. NOTE THE SAFE OPERATIONAL REQUIREMENTS, WARNINGS AND CAUTIONS. USE THE PRODUCT CORRECTLY AND WITH CARE FOR THE PURPOSE FOR WHICH IT IS INTENDED. FAILURE TO DO SO MAY CAUSE DAMAGE AND/OR PERSONAL INJURY AND WILL INVALIDATE THE WARRANTY. PLEASE KEEP INSTRUCTIONS SAFE FOR FUTURE USE.**

### 1. SAFETY INSTRUCTIONS

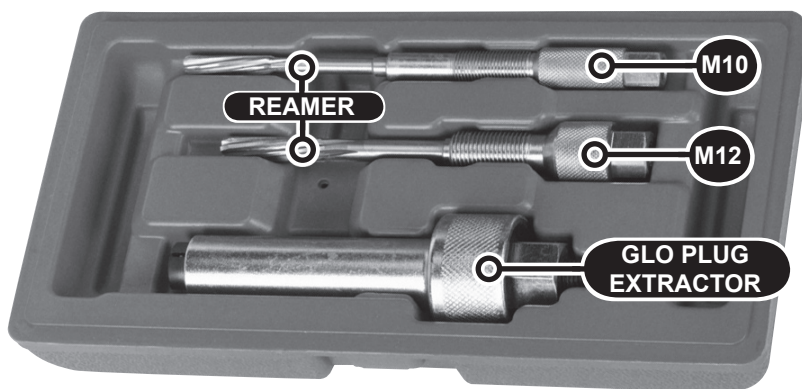
- WARNING!** Ensure Health and Safety, local authority and general workshop practice regulations are adhered to when using tools.
  - DO NOT** use tools if damaged.
  - Maintain tools in good and clean condition for best and safest performance.
  - Ensure that a vehicle which has been jacked up is adequately supported with axle stands.
  - Wear approved eye protection. A full range of personal safety equipment is available from your Sealey dealer.
  - Wear suitable clothing to avoid snagging. **DO NOT** wear jewellery and tie back long hair.
  - Account for all tools and parts being used and do not leave them in or near the engine.
- ▲ IMPORTANT:** Always refer to the vehicle manufacturer's service instructions, or a proprietary manual, to establish the current procedure and data.



- WARNING!** The warnings referred to in this guide cannot cover all possible conditions and situations that may occur. It must be understood that common sense and caution are factors which cannot be built into this product, but must be applied by the operator.

### 2. INTRODUCTION

Suitable for removal of stubborn glow plugs on Mercedes Vehicles with melted electrodes. Enables successful extraction from plug aperture. Set includes reamers for decarbonising the glow plug aperture after removal. Supplied in storage case.



This set may also be suitable for other makes and models of vehicle that use these engines.

**NOTE:** It is our policy to continually improve products and as such we reserve the right to alter data, specifications and component parts without prior notice.

**IMPORTANT:** No liability is accepted for incorrect use of this product.

**WARRANTY:** Guarantee is 12 months from purchase date, proof of which will be required for any claim.

**INFORMATION:** For a copy of our latest catalogue and promotions call us on 01284 757525 and leave your full name and address, including postcode.

### 3. APPLICATIONS

**M10 Reamer:** 2.1 / 2.2 / 2.7 / 3.2CDI, Smart R660 (OM611 / 612 / 613)

**M12 Reamer:** 2.0 / 2.2D, 2.5D / TD, 3.0D / TD (OM604 / 605 / 606)

**Glow Plug Extractor:** OM611 / 612 / 613

MERCEDES	ENGINE SIZE	TYPE	ENGINE CODE	YEAR
C-Class	2	D	604	10/96 -> 05/00
C-Class	2.1	CDi	611	09/00 ->
C-Class	2.2	D	604	07/93 -> 05/98
C-Class	2.2	D	611	07/96 -> 05/00
C-Class	2.2	CDi	611	09/97 -> 05/04
C-Class	2.5	D	605	06/93 -> 05/00
C-Class	2.7	CDi	612	06/00 ->
CLK-Class	2.7	CDi	612	10/02 ->
E-Class	2	D	604	06/95 -> 07/99
E-Class	2.1	CDi	611	07/99 -> 03/02
E-Class	2.2	D	604	03/95 -> 07/99
E-Class	2.2	CDi	611	07/98 ->
E-Class	2.5	D	605	07/93 -> 05/95
E-Class	2.5	TD	605	07/97 -> 07/99
E-Class	2.7	CDi	612	07/99 -> 03/02
E-Class	3	D	606	07/93 -> 05/95
E-Class	3	TD	606	06/93 -> 08/99
E-Class	3.2	DCi	613	07/99 -> 03/02
G-Class	2.7	CDi	612	10/01 ->
G-Class	3	TD	606	09/96 -> 09/00
ML-Class	2.7	CDi	612	02/98 ->
S-Class	3	TD	606	06/96 -> 10/98
S-Class	3.2	CDi	613	01/00 ->
Sprinter	2.2	CDi	611	04/00 ->
Sprinter	2.7	CDi	612	04/00 ->
V-Class	2	CDi	611	03/99 -> 09/03
V-Class	2.2	CDi	611	03/99 -> 09/03
Vito	2.2	CDi	611	03/99 -> 09/03

**NOTE:** It is our policy to continually improve products and as such we reserve the right to alter data, specifications and component parts without prior notice.

**IMPORTANT:** No liability is accepted for incorrect use of this product.

**WARRANTY:** Guarantee is 12 months from purchase date, proof of which will be required for any claim.

**INFORMATION:** For a copy of our latest catalogue and promotions call us on 01284 757525 and leave your full name and address, including postcode.



Sole U.K. Distributor  
Sealey Group  
Bury St. Edmunds  
Suffolk.



01284 757500

01284 703534



[www.sealey.co.uk](http://www.sealey.co.uk)

[sales@sealey.co.uk](mailto:sales@sealey.co.uk)