

Thank you for purchasing a Sealey product. Manufactured to a high standard this product will, if used according to these instructions and properly maintained, give you years of trouble free performance.

 **IMPORTANT: BEFORE USING THIS PRODUCT, PLEASE READ THE INSTRUCTIONS CAREFULLY. MAKE CAREFUL NOTE OF SAFETY INSTRUCTIONS, WARNINGS AND CAUTIONS. THIS PRODUCT SHOULD ONLY BE USED FOR ITS INTENDED PURPOSE. FAILURE TO DO SO MAY CAUSE DAMAGE AND/OR PERSONAL INJURY AND WILL INVALIDATE THE WARRANTY. RETAIN THESE INSTRUCTIONS FOR FUTURE USE.**

1. SAFETY INSTRUCTIONS

1.1 GENERAL SAFETY

- ✓ Only use the sprayer for its intended purpose.
- ✓ Familiarise yourself with the applications, limitations, and potential hazards of this product.
- ✓ Use original Sealey spare parts only. Unauthorised parts may be dangerous and will invalidate the warranty.
- ✓ Ensure containers cannot easily be knocked over during filling.
- ✓ Always ensure good contact on the 12V battery.
- ✓ Mark fluid containers with hazard labels to show their contents.
- ✓ Keep any fluid containers in a well ventilated, lockable store, preferably outside the working area.
- ✓ Keep children and unauthorised persons away from the working area, especially when the sprayer is in operation.
- ✓ Keep the work area childproof by using padlocks and master switches.
- ✓ Maintain the sprayer in top condition. Keep it clean for best and safest performance.
- ✓ Follow the same precautions when transferring fluid from the sprayer back into other containers.
- ✓ Ensure the sprayer is securely fixed to the ATV.
- ✓ Always inspect and prepare the sprayer before use according to the directions provided in this manual.
- ✓ Keep the sprayer turned off. Do not turn on power to the sprayer until ready to spray in order to avoid unintentional spray release.
- X Never spray when wind speed exceeds 4mph in order to minimize spray drift.
- X **DO NOT** over apply pesticide. Apply at a rate recommended by agents manufacturer. Excess pesticide can be dangerous to humans, damage desirable plants, and contaminate soil and water sources.
- X Never point the spray gun at people or animals.
- X **DO NOT** eat, drink, rub your eyes, or touch any part of your bare skin while handling agents and spraying.
- X **DO NOT** spray near open flames or sources of heat.
- ✓ Always clean up spills immediately per instructions on the agents label.
- ✓ Turn off vehicle and set brake or block wheels, turn off power to sprayer, and relieve system pressure before leaving sprayer unattended.
- X **DO NOT** use an open flame or smoke anywhere near the sprayer or around stored fluid.
- X **DO NOT** spray fluid into dedicated workshop oil spray equipment.
- X **DO NOT** use any electrical equipment on or near the vehicle while fluid spraying is in progress. This includes the use of inspection lights, mobile phones or pagers.
- X **DO NOT** use the sprayer if the pump is damaged in any way.
- X **DO NOT** use whilst under the influence of drugs, alcohol or other intoxicating medication, or if you are fatigued.

1.2 ELECTRICAL CONNECTION SAFETY

- ✓ If the battery terminals are corroded or dirty, clean them before using the tester.
- ✓ Disconnect the power after every use to avoid accidental starting.
- X **DO NOT** disassemble the remote switch for any reason. The tester must only be checked by qualified service personnel.

- **WARNING!** To prevent the risk of sparking, short circuit and possible explosion **DO NOT** drop metal tools in the battery area, or allow them to touch the battery terminals.
- X **DO NOT** cross-connect remote switch clamps. Ensure positive (RED) clamp is to positive terminal and negative (BLACK) clamp is to negative terminal.

1.3 CHEMICAL SAFETY

- 1.3.1 First and foremost ensure you read the safety data sheet of the substance you are going to spray.
- 1.3.2 The sprayer is intended for use in spraying agricultural pesticides and other non-flammable liquids.
- 1.3.3 Spraying pesticides - Pesticides are hazardous agents that must be handled with caution as directed throughout this manual and on the pesticide label. The sprayer is intended for use in spraying pesticides in liquid form only. The sprayer is NOT intended for use in spraying pesticides in dry or in aerosol form, or for use with fumigants.
 Sprayers SS60 and SS98 come equipped with a spot spray gun and a tank-mounted broadcast spraying system. Use the spot spray gun if you desire to apply pesticide only on selected plants. Use the broadcast spraying system if you wish to spray large ground areas
- 1.3.4 Spraying Other Liquids - In addition to spraying pesticides, this sprayer may be used to spray other non-flammable liquids. Example uses include: watering plants/trees or spraying water for dust control, applying ice control agents, applying water-based, non-flammable sealant or stain to outdoor wood surfaces.
- 1.3.5 However, WE RECOMMEND THAT THE SPRAYER NOT BE USED FOR OTHER PURPOSES ONCE IT HAS ALREADY BEEN USED FOR SPRAYING PESTICIDES. Any agents will leave some residual in the tank liner or sprayer components, even after the sprayer has been properly cleaned. These residual agents can have unexpected effects on future uses. For example, spraying water or other liquids that are contaminated with residual pesticide may result in unforeseen hazards to plant or animal life.

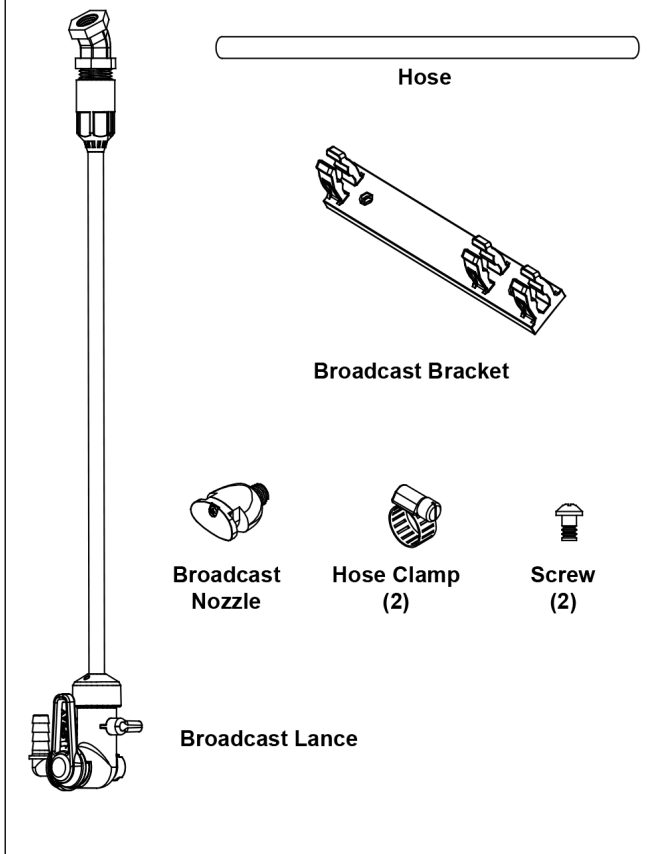
2. INTRODUCTION

Single broadcast lance provides a wide 4.3mtr spray pattern. Suitable for use with Sealey Model No. SS37. Supplied with polyvinyl hose and all mounting equipment. Also suitable as replacement broadcast nozzle for Sealey Model No's. SS60 and SS98.

NOTE! When used with SS37, this broadcast lance replaces the spot spraying function.

3. CONTENTS

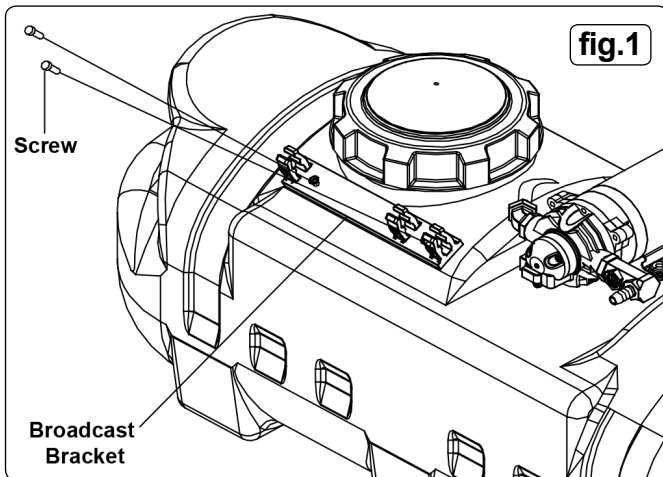
3.1 Broadcast Lance and Fixings



4. ASSEMBLY

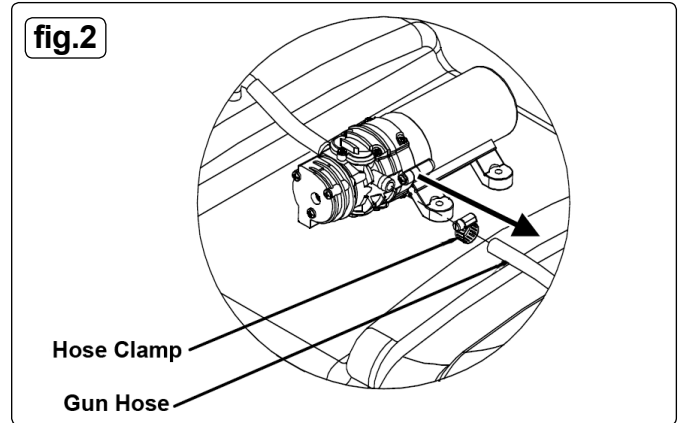
4.1 Attach Broadcast Bracket to Tank (see fig.1)

- 4.1.1 Ensure the bracket is fixed with the two clips at the end facing the pump.



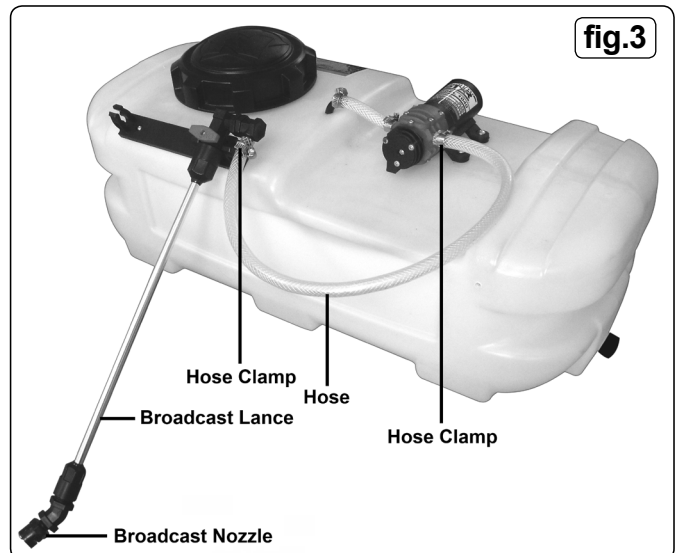
4.2 Remove Spot Sprayer Hose from Pump (see fig.2)

- 4.2.1 Loosen the hose clamp connecting the hose to the pump.
4.2.2 Pull the hose off of the pump.



4.3 Assemble Broadcast Kit. (see fig.3)

- 4.3.1 Insert the broadcast lance into the bracket, note the orientation in fig.3.
4.3.2 Slide two hose clamps over the hose.
4.3.3 Push the hose onto the hose barb on the broadcast lance and onto the connector on the pump.
4.3.4 Slide the hose clamp around the hose barbs and tighten.

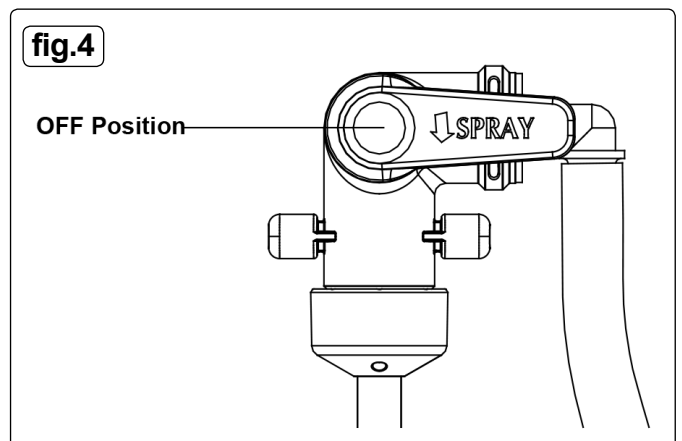


NOTE! Refer to the manual for SS37 for the rest of the assembly procedure and preparation.

5. USE - BROADCAST SPRAYER

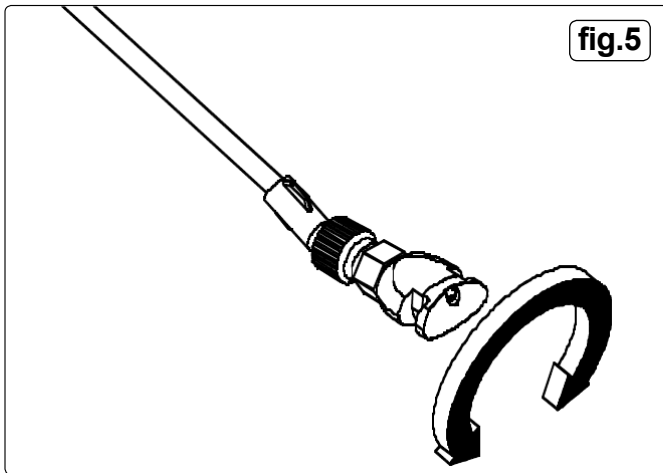
5.1 Broadcast Lance

- 5.1.1 Move the broadcast lance into the broadcast position (fig.3).
5.1.2 Ensure the broadcast lance valve is in the OFF position (fig.4).



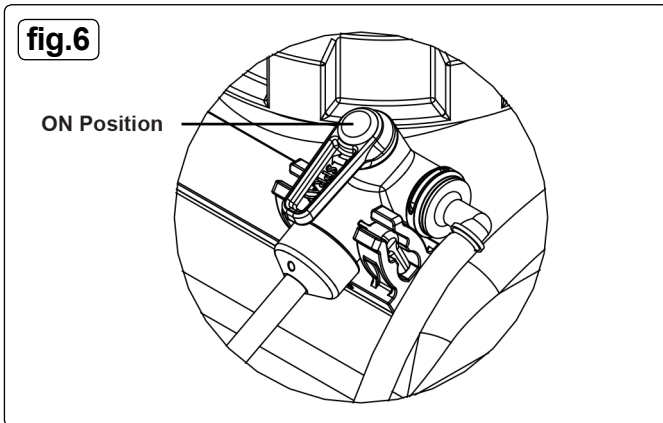
5.2 Broadcast Nozzle

- 5.2.1 If needed, rotate the broadcast nozzle so that the spray pattern is pointing down and evenly distributed. (fig.5)
- 5.2.2 Ensure gloves are worn when adjusting the lance and nozzle, as dripping may occur.

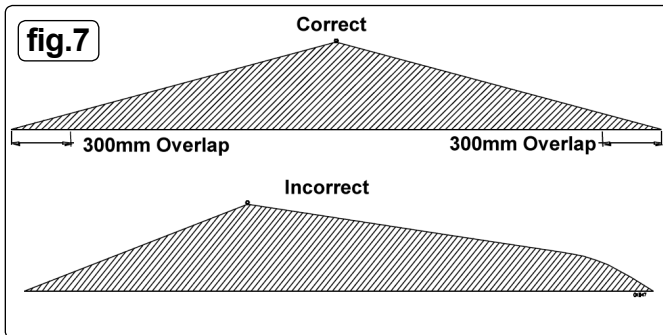


5.3 Start Spraying

- 5.3.1 Turn the remote switch to ON (I).
- 5.3.2 Turn the broadcast lance valve on (fig.6).



- 5.3.3 To ensure a uniform spray pattern, overlap each spray 300mm (fig.7).
- 5.3.4 See the speed/application tables to determine the speed for the ATV.



NOTE! Refer to the manual for SS37 for maintenance and storage instructions.

6. TROUBLESHOOTING

SYMPTOMS	REASON	REMEDY
Pump will not start.	1. Poor electrical connection. 2. Short in wires 3. Low voltage.	1. Ensure good connections. 2. Check conditions of wires. 3. Check the battery voltage.
Low pressure.	1. Worn spray gun nozzle. 2. Worn boom nozzle.	1. Replace spray gun nozzle. 2. Replace boom nozzle.
Low flow.	1. Clogged intake tube. 2. Clogged suction strainer. 3. Low voltage.	1. Remove obstruction to intake tube. 2. Clean suction strainer. 3. Check the battery voltage.
Poor spray distribution.	1. Clogged intake tube. 2. Clogged suction strainer. 3. Worn spray gun nozzle	1. Remove obstruction to intake tube. 2. Clean suction strainer. 3. Replace spray gun nozzle.
Pump operates while not spraying.	1. Leak in the system	1. Find leak and tighten hose clamps or fittings. Replace spray gun.

7. SPRAY CALIBRATION

Follow the below tables to determine the correct speed that the ATV should travel.

7.1 Table 1

- 7.1.1 Use the table that corresponds with the agents manufacturer's suggested application rate (litres per hectare, litres per 100 sq.m or litres per 10 sq.m).
- 7.1.2 Find the application rate that is closest to the agents manufacturer's recommendations.

Litres per Hectare							
Application Rate	800	400	267	200	160	133	144
Speed (km/h)	1	2	3	4	5	6	7
Litres per 100Sq.m.							
Application Rate	8.0	4.0	2.6	2.0	1.6	1.3	1.1
Speed (km/h)	1	2	3	4	5	6	7
Litres per 10Sq.m.							
Application Rate	0.80	0.40	0.26	0.20	0.16	0.13	0.11
Speed (km/h)	1	2	3	4	5	6	7

7.2 Table 2

- 7.2.1 Use this table to set the speed of the ATV.

Speed (km/h)	Time Required in Seconds to Travel a Distance of:		
	10m	50m	100m
1	36	180	360
2	18	90	180
3	12	60	120
4	9	45	90
5	7	35	70
6	6	30	60
7	5	25	50

NOTE: It is our policy to continually improve products and as such we reserve the right to alter data, specifications and component parts without prior notice.

IMPORTANT: No liability is accepted for incorrect use of this product.

WARRANTY: Guarantee is 12 months from purchase date, proof of which will be required for any claim.

INFORMATION: For a copy of our latest catalogue and promotions call us on 01284 757525 and leave your full name and address, including postcode.



Sole UK Distributor, Sealey Group,
Kempson Way, Suffolk Business Park,
Bury St. Edmunds, Suffolk,
IP32 7AR

01284 757500

www.sealey.co.uk

01284 703534

sales@sealey.co.uk