



INSTRUCTIONS FOR:

DRILL BIT SHARPENER - BENCH MOUNTING 80W

MODEL No: **SMS2008**

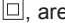
Thank you for purchasing a Sealey product. Manufactured to a high standard, this product will, if used according to these instructions and properly maintained, give you years of trouble free performance.

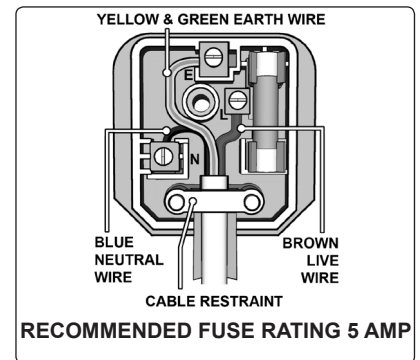


IMPORTANT: PLEASE READ THESE INSTRUCTIONS CAREFULLY. NOTE THE SAFE OPERATIONAL REQUIREMENTS, WARNINGS & CAUTIONS. USE THE PRODUCT CORRECTLY AND WITH CARE FOR THE PURPOSE FOR WHICH IT IS INTENDED. FAILURE TO DO SO MAY CAUSE DAMAGE AND/OR PERSONAL INJURY AND WILL INVALIDATE THE WARRANTY. KEEP THESE INSTRUCTIONS SAFE FOR FUTURE USE.

1. SAFETY INSTRUCTIONS

1.1 ELECTRICAL SAFETY

- ❑ **WARNING!** It is the responsibility of the owner and the operator to read, understand and comply with the following:
You must check all electrical products, before use, to ensure that they are safe. You must inspect power cables, plugs, sockets and any other connectors for wear or damage. You must ensure that the risk of electric shock is minimised by the installation of appropriate safety devices. A Residual Current Circuit Breaker (RCCB) should be incorporated in the main distribution board. We also recommend that a Residual Current Device (RCD) is used. It is particularly important to use an RCD with portable products that are plugged into a supply which is not protected by an RCCB. If in any doubt consult a qualified electrician. You may obtain a Residual Current Device by contacting your Sealey dealer.
You must also read and understand the following instructions concerning electrical safety.
- 1.1.1 The Electricity at Work Act 1989 requires that all portable electrical appliances, if used on business premises, are tested by a qualified electrician, using a Portable Appliance Tester (PAT), at least once a year.
- 1.1.2 The Health & Safety at Work Act 1974 makes owners of electrical appliances responsible for the safe condition of those appliances and the safety of the appliance operators. If in any doubt about electrical safety, contact a qualified electrician.
- 1.1.3 Ensure that the insulation on all cables and on the appliance is safe before connecting it to the power supply. See 1.1.1 and 1.1.2 and use a Portable Appliance Tester.
- 1.1.4 Ensure that cables are always protected against short circuit and overload.
- 1.1.5 Inspect regularly power supply cables and plugs for wear or damage and check all connections to ensure that none is loose.
- 1.1.6 Important: Ensure that the voltage marked on the appliance matches the power supply to be used and that the plug is fitted with the correct fuse - see fuse rating at right.
- 1.1.7 **DO NOT** pull or carry the appliance by the power cable.
- 1.1.8 **DO NOT** pull the plug from the socket by the cable.
- 1.1.9 **DO NOT** use worn or damaged cables, plugs or connectors. Immediately have any faulty item repaired or replaced by a qualified electrician. When a BS 1363/A UK 3 pin plug is damaged, cut the cable just above the plug and dispose of the plug safely. Fit a new plug according to the following instructions (UK only).
 - a) Connect the GREEN/YELLOW earth wire to the earth terminal 'E'.
 - b) Connect the BROWN live wire to the live terminal 'L'.
 - c) Connect the BLUE neutral wire to the neutral terminal 'N'.
 - d) After wiring, check that there are no bare wires, that all wires have been correctly connected, that the cable outer insulation extends beyond the cable restraint and that the restraint is tight. Double insulated products, which are always marked with this symbol , are fitted with live (brown) and neutral (blue) wires only. To rewire, connect the wires as indicated above - **DO NOT** connect either wire to the earth terminal.
- 1.1.10 Products which require more than 13A are supplied without a plug. In this case you must contact a qualified electrician to ensure that a suitably rated supply is available. We recommend that you discuss the installation of an industrial round pin plug and socket with your electrician.
- 1.1.11 If an extension reel is used it should be fully unwound before connection. A reel with an RCD fitted is preferred since any appliance plugged into it will be protected. The cable core section is important and should be at least 1.5mm², but to be absolutely sure that the capacity of the reel is suitable for this product and for others which may be used in the other output sockets, we recommend the use of 2.5mm² section cable.



1.2 GENERAL SAFETY

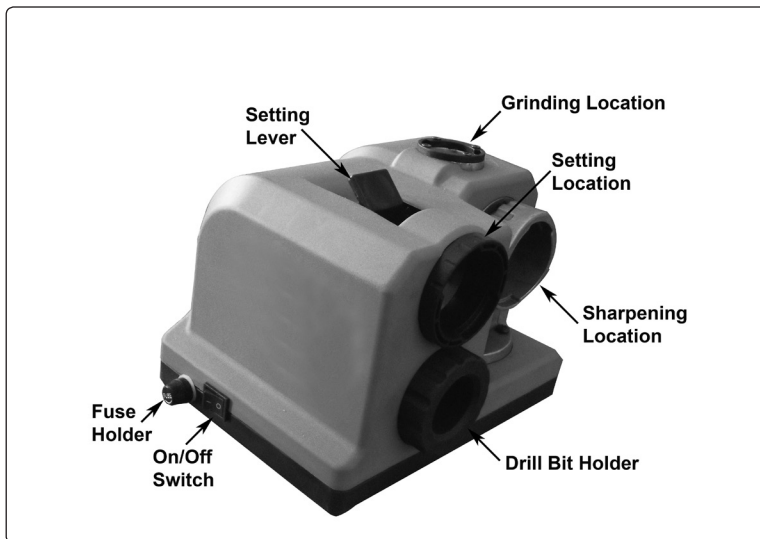
- ✓ Disconnect the sharpener from the mains power before changing accessories, servicing or performing any maintenance.
- ✓ Maintain sharpener and stone in good condition. Check moving parts and alignment. If necessary use an authorised service agent.
- ✓ Replace or repair damaged parts. *Use genuine parts only. Unapproved parts may be dangerous and will invalidate the warranty.*
- ✓ The grinding wheel or stone must only be changed by persons holding an appropriate grinding wheel certificate.
- ✓ Wear approved safety goggles, ear defenders and safety gloves.
- ✓ Remove ill fitting clothing. Remove ties, watches, rings, and other loose jewellery, and contain long hair.
- ✓ Use sharpener in a suitable work area, keep area clean, tidy and free from unrelated materials, and ensure adequate lighting.
- ✓ Maintain correct balance and footing. **DO NOT** over-reach and ensure the floor is not slippery. Wear non slip shoes.
- ✓ Keep non essential persons away from the working area.
- x **DO NOT** operate the sharpener if any parts are missing or the sharpener is damaged.
- x **DO NOT** use the sharpener for a task it was not designed to perform.
- x **DO NOT** operate sharpener where there are flammable liquids or gasses.
- x **DO NOT** get the sharpener wet or use in damp or wet locations.
- x **DO NOT** switch the sharpener on whilst the stone is in contact with the workpiece.
- x **DO NOT** touch the workpiece immediately after sharpening as it will be very hot.
- x **DO NOT** try to cool the sharpening wheel with water or other lubricants.
- x **DO NOT** touch the sharpening disc whilst operating, or whilst plugged into the mains power.
- x **DO NOT** leave the sharpener running unattended.
- x **DO NOT** operate the sharpener when you are tired or under the influence of alcohol, drugs or intoxicating medication.
- x **DO NOT** attach modules if the wheel is still moving and **DO NOT** use without a module in place.
- ✓ The motor is specially rated for intermittent use, use a maximum of 15 minutes continuous use.
- ✓ When not in use switch sharpener off, remove plug from power supply.

2. INTRODUCTION & SPECIFICATIONS

Fast, simple and effective way to sharpen your drill bits. Gives a perfect angle/sharpened head to make drilling with your bit easier. Suitable for use with HSS, titanium, cobalt and carbon steel ranging 3mm to 13mm.

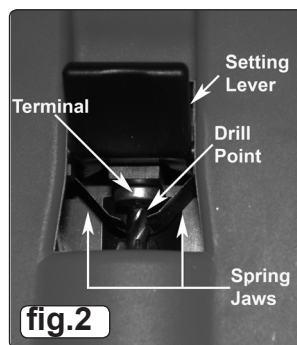
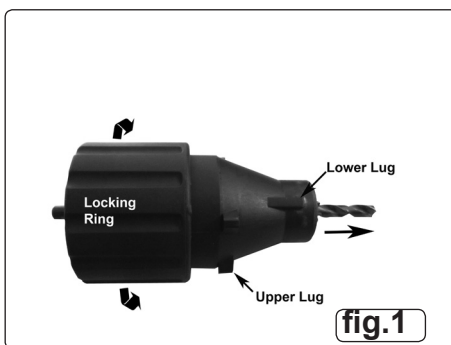
Model No:SMS2008
Motor Power: 80W-230V
Free Speed: 4200rpm
Minimum Drill Diameter: Ø3mm
Maximum Drill Diameter: Ø13mm

3. OPERATION



3.1. Setting

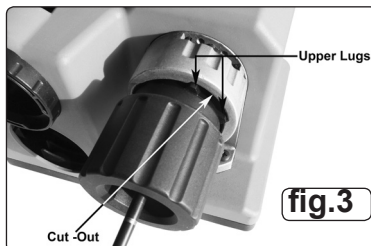
- 3.1.1. Remove the drill bit holder from its location.
- 3.1.2. Loosen the locking ring (fig.1) and insert the drill bit; tighten the locking ring lightly.
- 3.1.3. Lock the drill bit holder into the setting location whilst holding the setting lever (which controls the spring jaws) open, allowing the drill bit to be pushed back by the terminal (see fig.2). Ensure that the drill bit is inserted with the flutes at the tip horizontally aligned, as in fig.2.



- 3.1.4. Tighten the locking ring fully before removing the drill bit holder from the setting location.

3.2. Sharpening

- 3.2.1. The settings achieved in section 3.1. are transferred to the sharpener by moving the drill bit holder, complete with drill bit, to the sharpening location.
- 3.2.2. Switch the machine on by means of the on/off switch.
- 3.2.3. Insert the drill bit holder into the sharpening location ensuring that the upper lugs on the holder body are engaged with the cut-outs in the collar (fig.3).

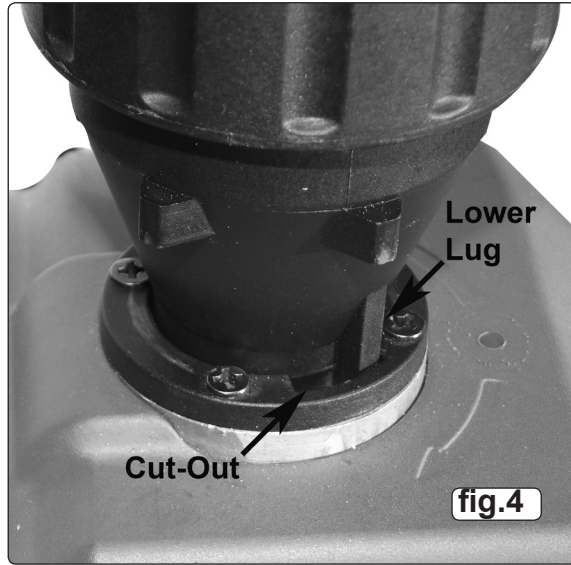


- 3.2.4. Sharpen the drill bit by rocking the collar back and forth until the sound from the wheel diminishes.
- 3.2.5. Remove the drill bit holder, rotate through 180° and repeat step 3.2.4.
- 3.2.6. If an arrow head point has not been achieved, turn the drill bit through 90° in the holder and repeat from 3.1.2.

3.3. GRINDING

3.3.1. Switch the machine on.

3.3.2. Insert the drill bit holder into the grinding location, ensuring that the lower lugs engage in the cut-outs (see fig.4).



3.3.3. Work the drill bit holder back and forth until the grinding sound diminishes.

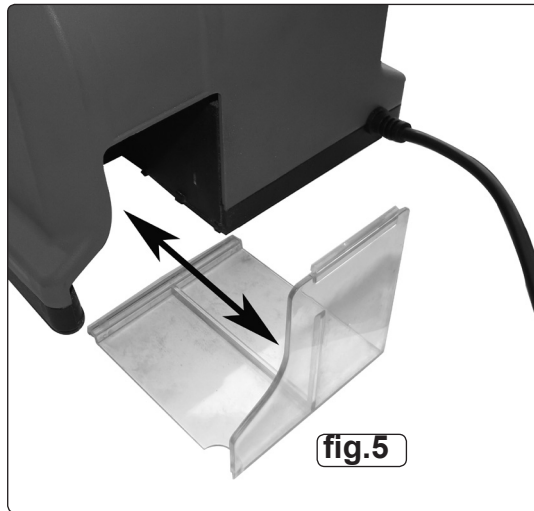
3.3.4. Remove the drill bit holder and re-insert having turned through 180°.

3.3.5. Repeat step 3.3.3. When complete, the drill bit will be sharpened and ready for use.

4. MAINTENANCE

4.1 Before cleaning disconnect from the mains. Keep clean and free from oil and grease, store in dry conditions.

4.2 Metal filings can be cleared by removing the cover as in fig.5 and emptying the contents.



4.3. An internal fuse is fitted, accessed via the fuse holder next to the on/off switch. **DO NOT** replace with a fuse of a different rating.



Environmental Protection.

Recycle unwanted materials instead of disposing of them as waste. All tools, accessories and packaging should be sorted, taken to a recycle centre and disposed of in a manner which is compatible with the environment.



WEEE Regulations.

Dispose of this product at the end of its working life in compliance with the EU Directive on Waste Electrical and Electronic Equipment. When the product is no longer required, it must be disposed of in an environmentally protective way. Contact your local solid waste authority for recycling information.

NOTE: It is our policy to continually improve products and as such we reserve the right to alter data, specifications and component parts without prior notice.



IMPORTANT: No liability is accepted for incorrect use of this product.



WARRANTY: Guarantee is 12 months from purchase date, proof of which will be required for any claim.

INFORMATION: For a copy of our latest catalogue and promotions call us on 01284 757525 and leave your full name and address, including postcode.



Sole UK Distributor: Sealey Group,
Kempson Way, Suffolk Business Park,
Bury St. Edmunds, Suffolk,
IP32 7AR

 01284 757500
 01284 703534

 www.sealey.co.uk
 sales@sealey.co.uk