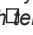
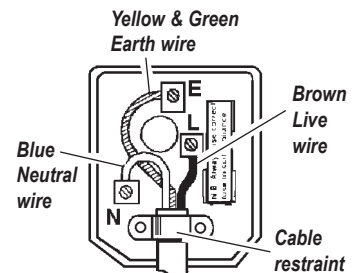


Thank you for purchasing a Sealey product. Manufactured to a high standard this product will, if used according to these instructions and properly maintained, give you years of trouble free performance.

**⚠ IMPORTANT: PLEASE READ THESE INSTRUCTIONS CAREFULLY. NOTE THE SAFE OPERATIONAL REQUIREMENTS, WARNINGS AND CAUTIONS. USE THIS PRODUCT CORRECTLY AND WITH CARE FOR THE PURPOSE FOR WHICH IT IS INTENDED. FAILURE TO DO SO MAY CAUSE DAMAGE AND/OR PERSONAL INJURY AND WILL INVALIDATE THE WARRANTY. PLEASE KEEP INSTRUCTIONS SAFE FOR FUTURE USE.**

## 1. SAFETY INSTRUCTIONS

- 1.1. ELECTRICAL SAFETY. ⚠ WARNING! It is the user's responsibility to read, understand and comply with the following:**  
**You must** check all electrical equipment and appliances to ensure they are safe before using. **You must** inspect power supply leads, plugs and all electrical connections for wear and damage. **You must** ensure the risk of electric shock is minimised by the installation of appropriate safety devices. An RCCB (Residual Current Circuit Breaker) should be incorporated in the main distribution board. We also recommend that an RCD (Residual Current Device) is used with all electrical products. It is particularly important to use an RCD together with portable products that are plugged into an electrical supply not protected by an RCCB. If in doubt consult a qualified electrician. You may obtain a Residual Current Device by contacting your Sealey dealer. **You must** also read and understand the following instructions concerning electrical safety.
- 1.1.1. The **Electricity At Work Act 1989** requires all portable electrical appliances, if used on business premises, to be tested by a qualified electrician, using a Portable Appliance Tester (PAT), at least once a year.
- 1.1.2. The **Health & Safety at Work Act 1974** makes owners of electrical appliances responsible for the safe condition of the appliance and the safety of the appliance operator. **If in any doubt about electrical safety, contact a qualified electrician.**
- 1.1.3. Ensure the insulation on all cables and the product itself is safe before connecting to the mains power supply. See 1.1.1. & 1.1.2. above and use a Portable Appliance Tester (PAT).
- 1.1.4. Ensure that cables are always protected against short circuit and overload.
- 1.1.5. Regularly inspect power supply, leads, plugs for wear and damage and connections, to ensure that none is loose.
- 1.1.6. **Important:** Ensure the voltage marked on the product is the same as the electrical power supply to be used, and check that plugs are fitted with the correct capacity fuse. A 13 amp plug may require a fuse smaller than 13 amps for certain products (*subject to 1.1.10. below*), see fuse rating at right.
- 1.1.7. DO NOT pull power plugs from sockets by the power cable.
- 1.1.8. DO NOT use worn or damage leads, plugs or connections. Immediately replace or have repaired by a qualified electrician. A U.K. 3 pin plug with ASTA/BS approval is fitted. In case of damage, cut off and fit a new plug according to the following instructions (discard old plug safely). (UK only - see diagram at right). **Ensure the unit is correctly earthed via a three-pin plug.**
- Connect the **GREEN/YELLOW earth wire to the earth terminal 'E'.**
  - Connect the **BROWN live wire to live terminal 'L'.**
  - Connect the **BLUE neutral wire to the neutral terminal 'N'.**
- After wiring, check that there are no bare wires, that all wires have been correctly connected, that the cable outer insulation extends beyond the cable restraint and that the restraint is tight.**
- Double insulated products are often fitted with live (BROWN) and neutral (BLUE) wires only. Double insulated products are always marked with this symbol . **To re-wire, connect the brown and blue wires as indicated above. DO NOT connect the brown or blue to the earth terminal.**
- 1.1.9. Some products require more than a 13 amp electrical supply. In such a case, **NO** plug will be fitted. **You must** contact a qualified electrician to ensure a 30 amp fused supply is available. We recommend that you discuss the installation of a industrial round pin plug and socket with your electrician.
- 1.1.10. **Cable extension reels.** When a cable extension reel is used it should be fully unwound before connection. A cable reel with an RCD fitted is recommended since any product which is plugged into the cable reel will be protected. The section of the cable on the cable reel is important. We recommend that at least 1.5mm<sup>2</sup> section cable but to be absolutely sure that the capacity of the cable reel is suitable for this product and for others that may be used in the other output sockets, we recommend the use of 2.5mm<sup>2</sup> section cable.



**FUSE RATING**  
 THIS PRODUCT MUST  
 BE FITTED WITH A  
**13 AMP FUSE**

## 1.2 GENERAL SAFETY

- ⚠ **WARNING!** Disconnect the extractor from the mains power and ensure the impeller is at a complete standstill before attempting to change accessories, service or perform any maintenance.
- ✓ Maintain the extractor in good condition (use an authorised service agent).
- ✓ Replace or repair damaged parts. *Use recommended parts only. Non-authorised parts may be dangerous and will invalidate the warranty.*
- ✓ Locate the extractor in a suitable working area. Ensure the surface is flat and firm. Keep area clean and tidy and free from unrelated materials, and ensure there is adequate lighting.
- ✓ Keep the extractor clean for best and safest performance and check moving parts alignment regularly.
- ✓ Remove any tools from the extractor and the vicinity before turning it on.
- ⚠ **WARNING!** Wear approved safety eye protection, ear defenders, and gauntlets, and, if dust is generated, respiratory protection.
- ✓ Remove ill fitting clothing. Remove ties, watches, rings and other loose jewellery and contain long hair.
- ✓ Maintain correct balance and footing. Ensure the floor is not slippery and wear non-slip shoes.
- ✓ Keep children and unauthorised persons away from the working area.
- x **DO NOT** use the extractor for any purpose other than that for which it is designed. **DO NOT** pick up glass, metal or water.
- x **DO NOT** allow untrained persons to operate the extractor.
- x **DO NOT** get the unit wet or use in damp or wet locations or areas where there is condensation.
- ⚠ **WARNING! DO NOT** use extractor where there are flammable liquids, solids or gases such as petrol, paint solvents, waste wiping rags etc.
- x **DO NOT** operate the extractor if any parts are missing or damaged as this may cause failure and/or personal injury.
- x **DO NOT** operate the extractor when you are tired or under the influence of alcohol, drugs or intoxicating medication.
- ✓ When not in use switch the extractor off and isolate from the power supply.

## 2. APPLICATION & SPECIFICATION

The SM48.V3 is designed to extract dust, saw dust and other fine debris from wood machining. It **should not** be used to extract metallic debris, glass or water.

### Specification:

Capacity . . . . .	700cfm
Impeller diameter . . . . .	228mm
Intake diameter . . . . .	100mm
Flexible hose diameter . . . . .	100mm
Flexible hose maximum length . . . . .	2.5m
Motor . . . . .	230V, 50Hz, 746W
Weight . . . . .	21kg
Noise level . . . . .	<87dBA

## 3. CONTENTS & ASSEMBLY

Unpack the extractor components and check that all are present and undamaged. In case of shortage or damage please contact the supplier.  
Description:

- |                             |                    |                                 |
|-----------------------------|--------------------|---------------------------------|
| • Collector Body with Motor | • Collector Bag    | • Gasket                        |
| • Base plate                | • Motor Mount      | • Screws, nuts, washers (1 bag) |
| • Castors x 4               | • Handle           | • Clamp                         |
| • Inlet Hose (2.5m)         | • Wall Bracket x 2 |                                 |

**Note: Numbers in brackets are the item numbers on the parts diagram and in the parts list.**

3.1. Attach the four castors (1) to the underside of the base (4) using screws (2), washers (3) and nuts (2-1). Support base (4) on battens, or similar, raising castors clear of floor to give stability for the following assembly tasks.

Note: Collector may be wall mounted using brackets (30) provided, which locate in holes (A) in base. If wall mounting do not fit castors.

3.2. With screws (13) and washers (12) attach motor mount (20) to base plate (4).

3.3. With screws (14), washers (12) and nuts (12-1) attach motor (18) to mount (20), so that collector body is positioned as shown in parts diagram.

3.4. Install outlet (23) to collector body (11) using packing (22), screws (15) and nuts (15-1).

3.5. Fit collector bag (24) over outlet (23) and secure with clamp (17).

3.6. Fit handle (25) to side of collector body (11) using screws (28).

## 4. OPERATING INSTRUCTIONS

**WARNING! Before operating the extractor ensure that you read, understand and apply the safety instructions in Section 1.**

**Note: Numbers in brackets are the item numbers on the parts diagram and in the parts list.**

4.1. Confirm that supply voltage matches the voltage shown on the motor data plate and that the motor switch (16) is 'Off'.

4.2. Connect extractor hose (29) to the inlet (6) on the collector body (11) and attach other end to extractor point on equipment.

**WARNING! DO NOT operate extractor without the hose attached.0**

4.3. Plug into mains supply and press motor switch 'On'.

4.4. Ensure that the collector bag is emptied of dust and chips on a regular basis and is not allowed to become full.

**NOTE:** It is our policy to continually improve products and as such we reserve the right to alter data, specifications and component parts without prior notice.

**IMPORTANT:** No liability is accepted for incorrect use of this product.

**WARRANTY:** Guarantee is 12 months from purchase date, proof of which will be required for any claim.

**INFORMATION:** For a copy of our latest catalogue and promotions call us on 01284 757525 and leave your full name and address, including postcode.



Sole UK Distributor, Sealey Group,  
Kempson Way, Suffolk Business Park,  
Bury St. Edmunds, Suffolk,  
IP32 7AR



01284 757500



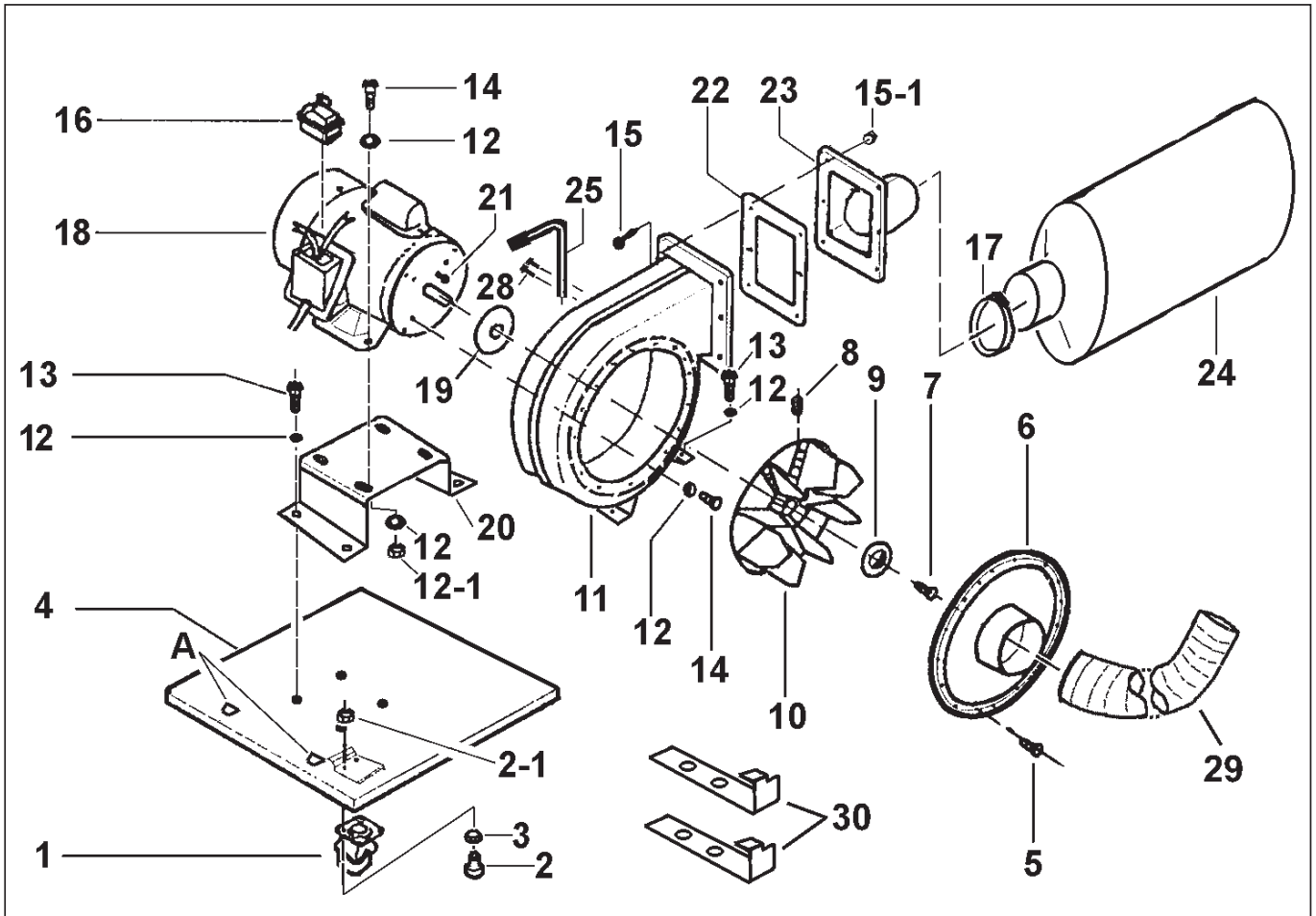
www.sealey.co.uk



01284 703534



sales@sealey.co.uk



Issue Date: ..... 130606  
Issue No: ..... 3

Item	Part No.	Description
1	SM48C/01	Castor
2	SM48C/02	Screw, Pan Head, M6 x 16
2-1	SM48C/02-1	Nut, M6
3	SM48C/03	Spring Washer, 6mm
4	SM48C/04	Base Plate
5	SM48C/05	Screw, Hex. Socket Head, M5 x 10
6	SM48C/06	Inlet Cover
7	SM48C/07	Screw, Hex. Socket Head, M6 x 20L
8	SM48C/08	Screw, Set, Socket Head, M8 x 10
9	SM48C/09	Washer
10	SM48C/10	Turbo Fan
11	SM48C.V3-11	Collector Body (BLUE)
12	SM48C/12	Washer, 8mm
12-1	SM48C/12-1	Nut, M8
13	SM48C/13	Screw, Hex. Head, M8 x 10
14	SM48C/14	Screw, Hex. Head, M8 x 15

Item	Part No.	Description
15	SM48C/15	Screw, Hex. Head, M6 x 15
15-1	SM48C/15-1	Nut, M6
16	SM48C/16	Switch
17	SM48C/17	Clamp
18	SM48C/18	Motor
19	SM48C/19	Spacer
20	SM48C.V3-20	Motor Mount (BLUE)
21	SM48C/21	Key, 5 x 5 x 30mm
22	SM48C/22	Packing
23	SM48C/23	Outlet
24	SM48C/24	Bag, Collector
25	SM48C/25	Handle
28	SM48C/28	Screw, Hex. Head, M6 x 25
29	SM48C/29	Hose
30	SM48C/30	Wall Bracket

**NOTE:** It is our policy to continually improve products and as such we reserve the right to alter data, specifications and component parts without prior notice.

**IMPORTANT:** No liability is accepted for incorrect use of this product.

**WARRANTY:** Guarantee is 12 months from purchase date, proof of which will be required for any claim.

**INFORMATION:** For a copy of our catalogue and latest promotions call us on 01284 757525 and leave your full name, address and postcode.