

Thank you for purchasing a Sealey product. Manufactured to a high standard this product will, if used according to these instructions and properly maintained, give you years of trouble free performance.



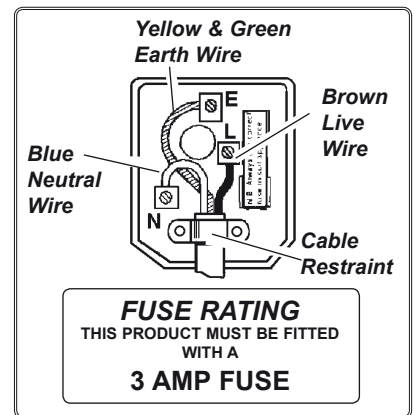
IMPORTANT: PLEASE READ THESE INSTRUCTIONS CAREFULLY. NOTE THE SAFE OPERATIONAL REQUIREMENTS, WARNINGS AND CAUTIONS. USE THE PRODUCT CORRECTLY AND WITH CARE FOR THE PURPOSE FOR WHICH IT IS INTENDED. FAILURE TO DO SO MAY CAUSE DAMAGE AND/OR PERSONAL INJURY AND WILL INVALIDATE THE WARRANTY. PLEASE KEEP INSTRUCTIONS SAFE FOR FUTURE USE.

1. SAFETY INSTRUCTIONS

1.1. ELECTRICAL SAFETY. **WARNING! It is the user's responsibility to read, understand and comply with the following:**

You must check all electrical equipment and appliances to ensure they are safe before using. You must inspect power supply leads, plugs and all electrical connections for wear and damage. You must ensure the risk of electric shock is minimised by the installation of appropriate safety devices. An RCCB (Residual Current Circuit Breaker) should be incorporated in the main distribution board. We also recommend that an RCD (Residual Current Device) is used with all electrical products. It is particularly important to use an RCD with portable products that are plugged into an electrical supply not protected by an RCCB. If in doubt consult a qualified electrician. You may obtain a Residual Current Device by contacting your Sealey dealer. **You must** also read and understand the following instructions concerning electrical safety.

- 1.1.1. The *Electricity At Work Act 1989* requires all portable electrical appliances, if used on business premises, to be tested by a qualified electrician, using a Portable Appliance Tester (PAT), at least once a year.
- 1.1.2. The *Health & Safety at Work Act 1974* makes owners of electrical appliances responsible for the safe condition of the appliance and the safety of the appliance operator. **If in any doubt about electrical safety, contact a qualified electrician.**
- 1.1.3. Ensure the insulation on all cables and the product itself is safe before connecting to the mains power supply. See 1.1.1. & 1.1.2. above and use a Portable Appliance Tester (PAT).
- 1.1.4. Ensure that cables are always protected against short circuit and overload.
- 1.1.5. Regularly inspect power supply, leads, plugs for wear and damage and all electrical connections to ensure that none is loose.
- 1.1.6. **Important:** Ensure the voltage marked on the product is the same as the electrical power supply to be used, and check that plugs are fitted with the correct capacity fuse. A 13 amp plug may require a fuse smaller than 13 amps for certain products, see fuse rating at right.
- 1.1.7. DO NOT pull or carry the appliance by its power supply lead.
- 1.1.8. DO NOT pull power plug from socket by the power cable.
- 1.1.9. DO NOT use worn or damaged leads, plugs or connections. Immediately replace or have repaired by a qualified electrician. A U.K. 3 pin plug with ASTA/BS approval is fitted. In case of damage, cut off and fit a new plug according to the following instructions (discard old plug safely).



(UK only - see diagram at right). **Ensure the unit is correctly earthed via a three-pin plug.**

- a) **Connect the GREEN/YELLOW earth wire to the earth terminal 'E'.**
- b) **Connect the BROWN live wire to live terminal 'L'.**
- c) **Connect the BLUE neutral wire to the neutral terminal 'N'.**
- d) **After wiring, check that there are no bare wires, that all wires have been correctly connected, that the cable outer insulation extends beyond the cable restraint and the restraint is tight.**

Double insulated products are fitted with live (BROWN) and neutral (BLUE) wires only. Double insulated products are always marked with this symbol . **To re-wire, connect the brown and blue wires as indicated above. DO NOT connect the brown or blue to the earth terminal.**

- 1.1.10. Some products require more than a 13 amp electrical supply. In such a case, NO plug will be fitted. **You must** contact a qualified electrician to ensure a 30 amp fused supply is available. We recommend you discuss the installation of a industrial round pin plug and socket with your electrician.
- 1.1.11. **Cable extension reels.** When a cable extension reel is used it should be fully unwound before connection. A cable reel with an RCD fitted is recommended since any product which is plugged into the cable reel will be protected. The section of the cores of the cable is important and should be at least 1.5mm², but to be absolutely sure that the capacity of the cable reel is suitable for this product and for others that may be used in the other output sockets, we recommend the use of 2.5mm² section cable.

1.2 GENERAL SAFETY

- WARNING! Ensure Health & Safety, local authority, and general workshop practice regulations are adhered to when using this tank.**
- ✓ Familiarise yourself with the applications, limitations and potential hazards of the tank.
- WARNING! Disconnect the tank from the mains power before changing accessories, servicing or performing any maintenance.**
- ✓ Replace or repair damaged parts. *Use genuine parts only. Unauthorised parts may be dangerous and will invalidate the warranty.*
- WARNING! DO NOT modify the lid or jam it open. Keep the lid and holding screws in place, tight and in good working order.**
- ✓ Locate tank in a suitable work area and keep area clean and tidy and free from unrelated materials. Ensure there is adequate lighting.
- ✓ Ensure there are no flammable or combustible materials near the work area.
- ✓ In case of fire in tank, do not attempt to move unit or remove parts from tank. The lid is fusible and will automatically close, extinguishing fire.
- ✓ **When cleaning parts ensure that nothing in the tank, including any parts basket, is in a position that would prevent the lid from closing fully if and when the fusible link activates.**
- WARNING! DO NOT SMOKE** and keep sources of ignition, such as heaters, lamps, etc., away from the unit, together with flammable or combustible materials, as there is an explosion risk.
- ✓ Use only water soluble solvent.
- WARNING! When operating the tank always wear approved eye or face protection and appropriate protective clothing, including gloves, to prevent the cleaning agent contacting the skin.**
- ✓ Maintain correct balance and footing. Ensure the floor is not slippery and wear non-slip shoes.
- ✓ Remove ill fitting clothing. Remove ties, watches, rings and other loose jewellery and contain and/or tie back long hair.
- ✓ Keep children and unauthorised persons away from the work area.
- ✓ Avoid unintentional starting.
- x DO NOT overfill tank or allow fluid level to fall below pump inlet.
- x DO NOT use the tank for a task it is not designed to perform.
- x DO NOT operate the tank if any parts are damaged or missing as this may cause failure and/or personal injury.
- x DO NOT allow untrained persons to operate the tank.
- x DO NOT operate the tank when you are tired or under the influence of alcohol, drugs or intoxicating medication.
- x DO NOT leave the tank operating unattended.
- ✓ When not in use switch off the tank, close the lid and remove the plug from the power supply.
- ✓ Dispose of waste liquids in accordance with local authority regulations.
- WARNING! Protect the environment - DO NOT allow uncontrolled discharge of pollutants.**
- ✓ Keep the tank clean for best and safest performance.

2. SPECIFICATION

Overall Height: 880mm
 Tank Height: 260mm
 Tank Width: 540mm
 Maximum Length: . . . 810mm

Pump Output/hr: 200ltr
 Motor Power: 25W
 Supply: 230V 50Hz
 Weight: 25kg

Maximum Working Capacity: 50ltr
 Minimum Working Capacity: 40ltr

3. ASSEMBLY INSTRUCTIONS

Remove parts from packing and take items out of the tank. Before assembly check parts to ensure they are complete and not damaged.

- 3.1. Close lid (4) of tank (1), and turn unit upside down. *Rest tank on a clean soft surface (i.e. cardboard) ensuring lid is secured in the closed position.*
- 3.2. Attach the four legs (21) to the tank brackets with the pan head screws, spring washers and hex nuts (22, 23, 24) *but do not tighten.*
- 3.3. Place the lower shelf (20) between the four legs (21) with flat surface facing downward and fix with washers, hex nuts and screws (22, 23, 24).
- 3.4. With the legs pressed tightly against the lower shelf, tighten all the screws commencing with those attaching the shelf.
- 3.5. Hold the lid closed and stand the assembled unit upright. Open the lid *but do not extend the lid too far.*
- 3.6. Place the tank work shelf (42) on the two welded supports located inside the tank.
- 3.7. Remove the self tapping screws from the cover plate of the pump unit (A) and check to see if there is any supporting packing inside. If so, remove the supporting packing and replace the cover.
- 3.8. Place the pump into the tank unit and pass the switch unit through the slot in the cleaning tank side (A). As the unit protrudes through the slot secure it by placing the underside lip over the edge of the tank. Attach the flexible pipe (27) to pump (A).
- 3.9. To fit turbo valve assembly unscrew flexible tube (E), nut (D) and one nylon washer (C).
- 3.10. Insert threaded end of turbo valve (B) through hole in side of tank and retain with washer (C) and nut (D). Refit the flexible tube (E). Check that turbo valve (B) is closed.

4. OPERATING INSTRUCTIONS

WARNING! Wear safety clothing, eye protection and gloves and ensure you read, understand and apply the safety instructions in Section 1.

- 4.1. Ensure the tank is located on a firm level surface in a well ventilated area and is switched off and unplugged from the mains power supply.
- 4.2. Fill the tank with Sealey solvent - approx. 50 litres. Minimum level **must** cover pump inlet - approx. 40 litres. Follow the solvent instructions on the packaging.
- 4.3. Plug the pump into the power supply and switch on. The cleaning agent will flow through the flexible tube.
- 4.4. Place parts to be washed into the basket, or directly into the tank. Direct solvent flow onto parts. Heavily soiled items may be left to soak before cleaning.
- 4.5. To improve cleaning and reduce pre-soak time turn on turbo valve to provide an agitating air flow into the cleaning fluid.
- 4.6. Do not leave the unit operating unattended. Check the fluid level does not fall below the pump inlet.
- 4.7. When cleaning is complete remove all parts whilst ensuring the minimum of cleaning agent spillage.
- 4.8. Switch off the pump, close the lid and disconnect from the mains power supply. Clean up any spillage.
- 4.9. Dispose of waste liquids in accordance with local authority regulations.

IMPORTANT! The SM20 has an anti-fire device built into the unit. In the event of a fire the lid will automatically close. **DO NOT prop the lid open as this will prevent the automatic safety feature from operating.** Once actuated, the fire detection device cannot be re-used and must be replaced before further use.

- ✓ When cleaning parts ensure that nothing in the tank, including any parts basket, is in a position that would prevent the lid from closing fully if and when the fusible link activates.

5. MAINTENANCE

5. 1. Clean the inside of the tank at regular intervals and keep the main body of the unit clean.
5. 2. Regularly wash the pump filter in clean degreaser and replace if necessary.
5. 3. Ensure that all screws and bolts are kept tight.

Parts support is available for this product.

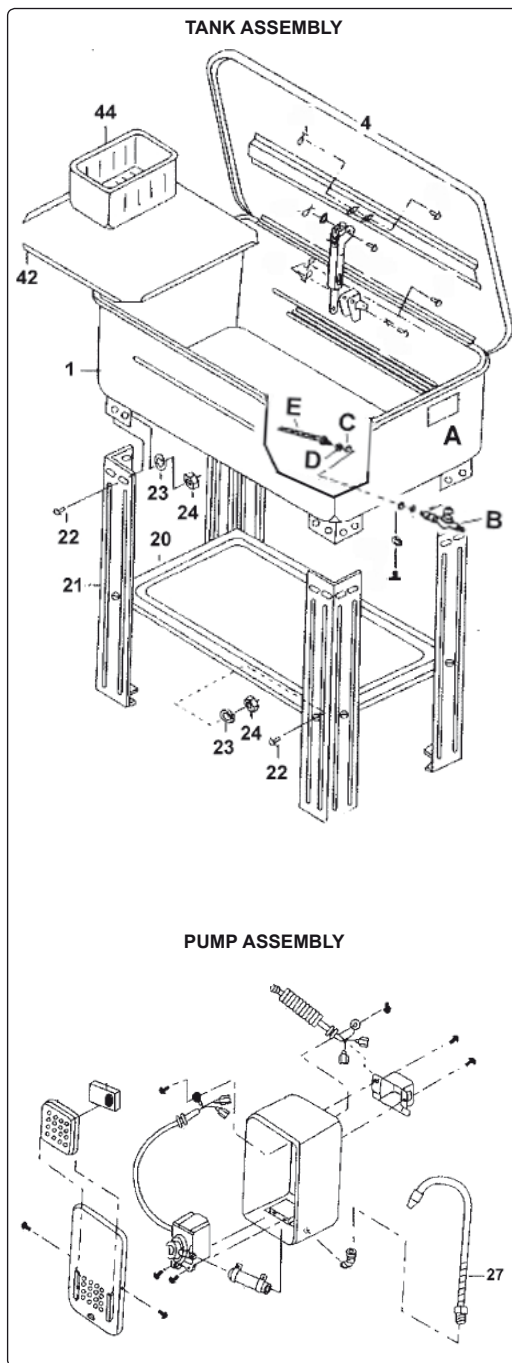
To obtain a parts listing and/or diagram, please log on to www.sealey.co.uk, email sales@sealey.co.uk or phone 01284 757500.

NOTE: It is our policy to continually improve products and as such we reserve the right to alter data, specifications and component parts without prior notice.

IMPORTANT: No liability is accepted for incorrect use of this product.

WARRANTY: Guarantee is 12 months from purchase date, proof of which will be required for any claim.

INFORMATION: For a copy of our latest catalogue and promotions call us on 01284 757525 and leave your full name and address, including postcode.



Sole UK Distributor, Sealey Group,
 Kempson Way, Suffolk Business
 Park, Bury St. Edmunds, Suffolk,
 IP32 7AR

01284 757500
 01284 703534

www.sealey.co.uk
sales@sealey.co.uk