

Your new jack is produced and manufactured to a high standard of dependability and will, if used according to these instructions and properly maintained, give you years of trouble free performance.



IMPORTANT: READ THESE INSTRUCTIONS CAREFULLY. NOTE THE SAFE OPERATIONAL REQUIREMENTS, WARNINGS AND CAUTIONS. USE THIS JACK CORRECTLY AND WITH CARE FOR THE PURPOSE FOR WHICH IT IS INTENDED. FAILURE TO DO SO MAY CAUSE DAMAGE AND/OR PERSONAL INJURY AND WILL INVALIDATE THE WARRANTY. RETAIN THESE INSTRUCTIONS FOR FUTURE USE.

1. SAFETY PRECAUTIONS

- ✓ Ensure the beam is in sound condition and good working order. Take action for immediate repair or replacement of damaged parts. Use genuine parts only. The use of improper parts may be dangerous and will invalidate the warranty.
 - ✓ Inspect the beam before each use. **DO NOT** use the beam if it is damaged, altered, modified, in poor condition, leaking hydraulic fluid, or unstable due to missing parts.
 - ✗ **DO NOT** alter or modify this beam in any way.
 - ✗ **DO NOT** load the beam beyond its rated capacity.
 - ✗ **DO NOT** operate the beam if damaged.
 - ✗ **DO NOT** allow untrained persons to operate the beam.
 - ✗ **DO NOT** use the beam for purposes other than that for which it is intended.
 - ✗ **DO NOT** use the centre saddle if the work to be performed can cause the load to move.
 - ✗ **DO NOT** top up hydraulic system with brake fluid. Use hydraulic jack oil only.
 - ✓ Use the beam only for its intended purpose.
 - ✓ Consult the vehicle manufacturer for the correct lifting locations.
 - ✓ Make sure the vehicle is in park and the handbrake is on before attempting to raise the vehicle.
 - ✓ Only use the saddles provided with the jacking beam.
 - ✓ Be sure setup is stable and secure before lifting. Be careful of pinch points.
 - ✓ This is a lifting device only. Make sure the load is centered on saddles before lifting.
 - ✓ The beam can only be used to lift one end of the vehicle.
 - ✓ Ensure that there are no persons or obstructions beneath the vehicle before lowering.
 - ✓ Always lower load slowly and carefully.
 - ✓ When not in use store beam fully lowered.
 - ✓ Ensure all non-essential persons keep a safe distance whilst the beam is in use.
 - ✓ Use a qualified person to maintain or repair the beam's hydraulic system.
- WARNING! Failure to heed these precautions may result in loss of load, damage to beam and/or personal injury.**



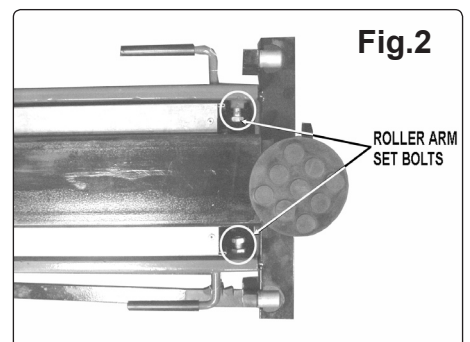
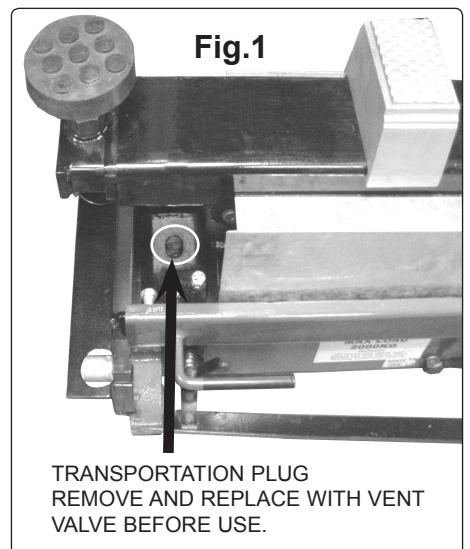
2. SPECIFICATIONS

Fully certified and approved to comply with **VOSA** requirements. Features two stage mechanical safety lock and telescopic finger guards to prevent accidental injury. Supplied with two pairs of aluminium support blocks. Beam has spring loaded flat arms with roller bearings when unloaded, these support the weight of the beam, allowing the entire unit to run smoothly along the pit or ramp, but when loaded locate the unit firmly. Wide lift configuration meets **VOSA** recommendation for lifting on jacking point.

ModelSJBEX200.V2.....SJBEX300
Capacity:2ton.....3ton
Support Arm Reach:780 - 1075mm.....780 - 1075mm
Beam Lift:95 - 300mm.....95 - 300mm
Load Arm Reach:850 - 1600mm.....850 - 1600mm
Net Weight:94kg.....102kg

3. PREPARATION

- WARNING! These jacking beams weigh 94kg and 102kg respectively. Seek assistance before attempting to locate jacking beam on ramp or inspection pit runners.**
- 3.1. Locating jacking beam.**
 - 3.1.1. Extend the roller arms to the correct width for ramp or pit runners. See fig.3 overleaf.
 - 3.1.2. With the beam central on the ramp/pit and the rollers located on the runners, tighten the roller arms set bolts. (Fig.2)
 - 3.1.3 Adjust the spring tension on all four rollers (see fig.3 overleaf) so that the rollers will just support the weight of the jacking beam on its own and allow it to travel freely over the ramp/pit. Note that too much spring tension will cause the rollers to jam against the side arms. When the jacking beam is in use the weight of the vehicle will overcome the spring tension, pushing the rollers upwards and allowing the jacking beam to settle onto the two roller arms.
 - 3.1.4. Before use you must remove the transportation plug and fit the supplied vent valve in its place. (Fig.1)



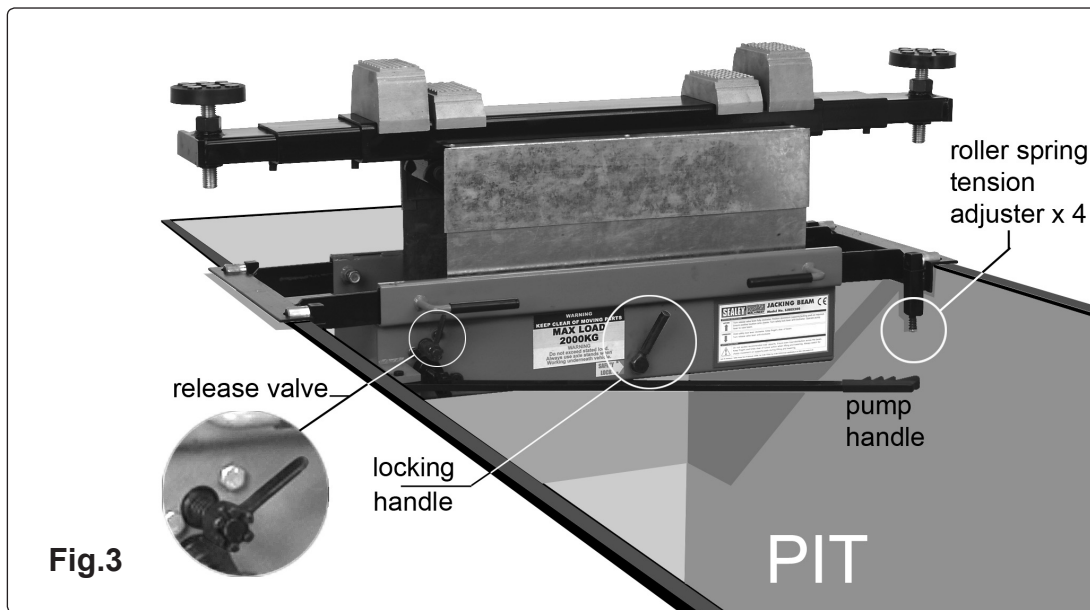
3.2. Using hook arm supports.

- 3.2.1. Alternative hook arm supports are supplied for use where the runners on a ramp or pit are vertical (see fig.4). Loosen the roller arm set bolts (see fig.2) and withdraw the roller arms from the main frame. Insert the hook arm supports ensuring that the channel faces downwards and set them to match the width of the vertical runners. The hook arm supports should be extended equally either side of the jacking beam. Tighten all four support arm set bolts before mounting the jacking beam onto the runners.

4. OPERATING INSTRUCTIONS

4.1. Jacking beam controls (Fig.3).

- 4.1.1. Familiarise yourself with the controls of the jacking beam before operating.
Note: The further anticlockwise you turn the release valve the faster the beam will lower. Familiarise yourself with this before operating under load.
- 4.1.2. As a safety feature the beam has two locking positions which are controlled by the locking lever.
- 4.1.3. When jacking, the locking lever will engage at certain heights (approx 100mm and 240mm of lift height) to prevent the jack from lowering all the way should the release valve be accidentally moved, to lower the jack past this point you must raise the jack a small amount and then turn the locking lever clockwise whilst turning the release valve anticlockwise.



4.2. To jack a vehicle.

- 4.2.1. With the beam in the lowered position, locate it under the vehicle at the position that you require to lift.
Note: Ensure you use the vehicle manufacturer's designated jacking points.
- 4.2.2. The majority of lift applications require the use of two saddles.
- 4.2.3. Evaluate which saddle pair combinations are best suited to the job.
- 4.2.4. The saddles at either end are adjustable, and may be raised or lowered by screwing clockwise or anticlockwise in order to give the beam clearance from the underside of the vehicle.
- 4.2.5. Adjust the telescopic arms to line up the saddles with the jacking points of the vehicle.
- 4.2.6. Turn the release valve clockwise and start to raise the jack by operating the pump handle (Fig.3). Raise the beam in short increments and ensure the saddles are centered on the jacking points.
- 4.2.7. Once you have established the setup is stable you may proceed to lift the vehicle to the required height.
- 4.2.8. Make sure the locking lever is engaged, if it is not engaged you need to raise or lower the beam to the closest locking point, and check the locking lever engages.
- 4.2.9. To lower the vehicle follow the procedure outlined in 4.1.3 Jacking Beam Controls.

5. MAINTENANCE

▲ **IMPORTANT: Only fully qualified personnel should attempt maintenance or repair.**

- 5.1. When not in use, the beam should be stored in the lowest position, to minimise corrosion.
- 5.2. Keep the beam clean and lubricate all moving parts on a regular basis.
- **WARNING: DO NOT use brake fluid, or any fluid other than a good quality jack oil, such as SEALEY HYDRAULIC JACK OIL, as this may cause serious damage to the jack and will invalidate the warranty!**
- 5.3. To check on fluid level and to top up, jack the beam up so that the vent valve (see Fig.1) can be accessed and removed. Lower the beam fully and then check on the fluid level either directly or using a dipstick. The level should be just below the vent, top up as necessary and **DO NOT** overfill as this will affect the smooth operation of the beam. Replace the vent valve.
- 5.4. Before each use check for broken, cracked, bent, or loose parts, or any visible damage to pump, saddles, lifting arms, frame and all parts including nuts, bolts, pins and other fasteners. If any suspect item is found, remove beam from service and take action to remedy the problem. **DO NOT** use the beam if it is believed to have been subjected to abnormal load or shock load. Inspect and take appropriate action.
- 5.5. Periodically check the pump piston and the ram for signs of corrosion. Clean exposed areas with a clean oiled cloth.
- ▲ **IMPORTANT: NO RESPONSIBILITY IS ACCEPTED FOR INCORRECT USE OF THIS PRODUCT.**
Hydraulic products are only repaired by local service agents. We have service/repair agents in all parts of the UK.
DO NOT RETURN JACKS TO US. Please telephone us on 01284 757500 to obtain the address and phone number of your local agent. If jack is under guarantee you can also contact your local dealer.
- De-commissioning**
If the beam eventually becomes unserviceable, draw off the oil into an approved container and dispose of the jack and the oil according to local regulations.

6. TROUBLESHOOTING

PROBLEM	POSSIBLE CAUSE	REMEDY
Beam will not lift the load	1) Overloaded	1) Be sure to use beam with adequate capacity.
	2) Oil level low	2) Top up oil level.
	3) Release valve not correctly closed	3) Check and close release valve.
	4) Air in system	4) Open release valve and pump the handle a few times. Close valve and re-try.
	5) Piston rod not functioning	5) Clean and replace oil.
	6) Packing worn or defective	6) Replace packing.
Beam does not lift high enough or feels "spongy"	1) Oil level too high or too low	1) Fill or remove excess oil.
	2) Worn seals	2) Return jack to local service agent.
	3) Air in system	3) Open release valve and pump the handle a few times. Close valve and re-try.
	4) Release valve not closed	4) Check and close release valve.
Beam lifts poorly	1) Pump packing or valves malfunctioning	1) Replace packing and/or clean valves.
	2) Oil is dirty	2) Replace oil.
	3) Air in the system	3) Open release valve and pump the handle a few times. Close valve and re-try.
Beam lifts but will not hold load	1) Release valve partially open	1) Check and close release valve.
	2) Dirt on valve seats	2) Lower jack, close release valve. Place foot on front wheel and pull up lifting arm to full height by hand. Open the release valve to lower arm.
	3) Air in system	3) Open release valve and pump the handle a few times. Close valve and re-try.
	4) Faulty seals	4) Replace packing or contact local service agent.
	5) Packing worn or defective	5) Replace packing.
Beam will not lower completely	1) Unit requires lubrication	1) Oil all external moving parts.
	2) Piston rod bent or damaged	2) Replace rod or contact local service agent.
	3) Beam frame/link system distorted due to overloading/poor positioning	3) Replace damaged parts or contact local service agent.
	4) Air in system	4) Open release valve and pump the handle a few times. Close valve and re-try.
	5) Release valve partially closed	5) Check and fully open release valve.
Beam does not lower at all	1) Release valve closed	1) Check and fully open release valve.

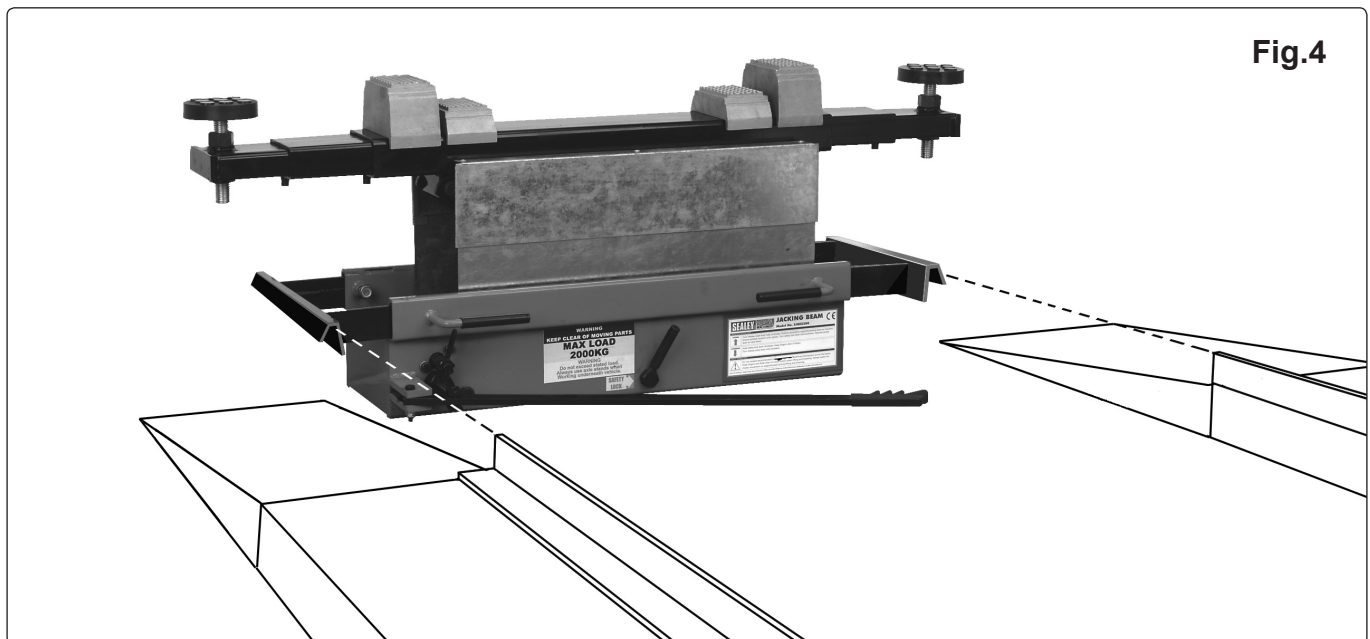


Fig.4

NOTE: It is our policy to continually improve products and as such we reserve the right to alter data, specifications and component parts without prior notice.

IMPORTANT: No liability is accepted for incorrect use of this product.

WARRANTY: Guarantee is 12 months from purchase date, proof of which will be required for any claim.

INFORMATION: For a copy of our latest catalogue and promotions call us on 01284 757525 and leave your full name and address, including postcode.



Sole UK Distributor, Sealey Group,
Kempson Way, Suffolk Business Park,
Bury St. Edmunds, Suffolk,
IP32 7AR



01284 757500

01284 703534



www.sealey.co.uk



sales@sealey.co.uk