



INSTRUCTIONS FOR:

## 2 SHELF UTILITY STORAGE CUPBOARD

MODEL No: **SC06**

Thank you for purchasing a Sealey product. Manufactured to a high standard this product will, if used according to these instructions and properly maintained, give you years of trouble free performance.



**IMPORTANT: PLEASE READ THESE INSTRUCTIONS CAREFULLY. NOTE THE SAFE OPERATIONAL REQUIREMENTS, WARNINGS & CAUTIONS. USE THE PRODUCT CORRECTLY AND WITH CARE FOR THE PURPOSE FOR WHICH IT IS INTENDED. FAILURE TO DO SO MAY CAUSE DAMAGE AND/OR PERSONAL INJURY AND WILL INVALIDATE THE WARRANTY. PLEASE KEEP INSTRUCTIONS SAFE FOR FUTURE USE.**

### 1. SAFETY INSTRUCTIONS

#### 1.1. GENERAL SAFETY

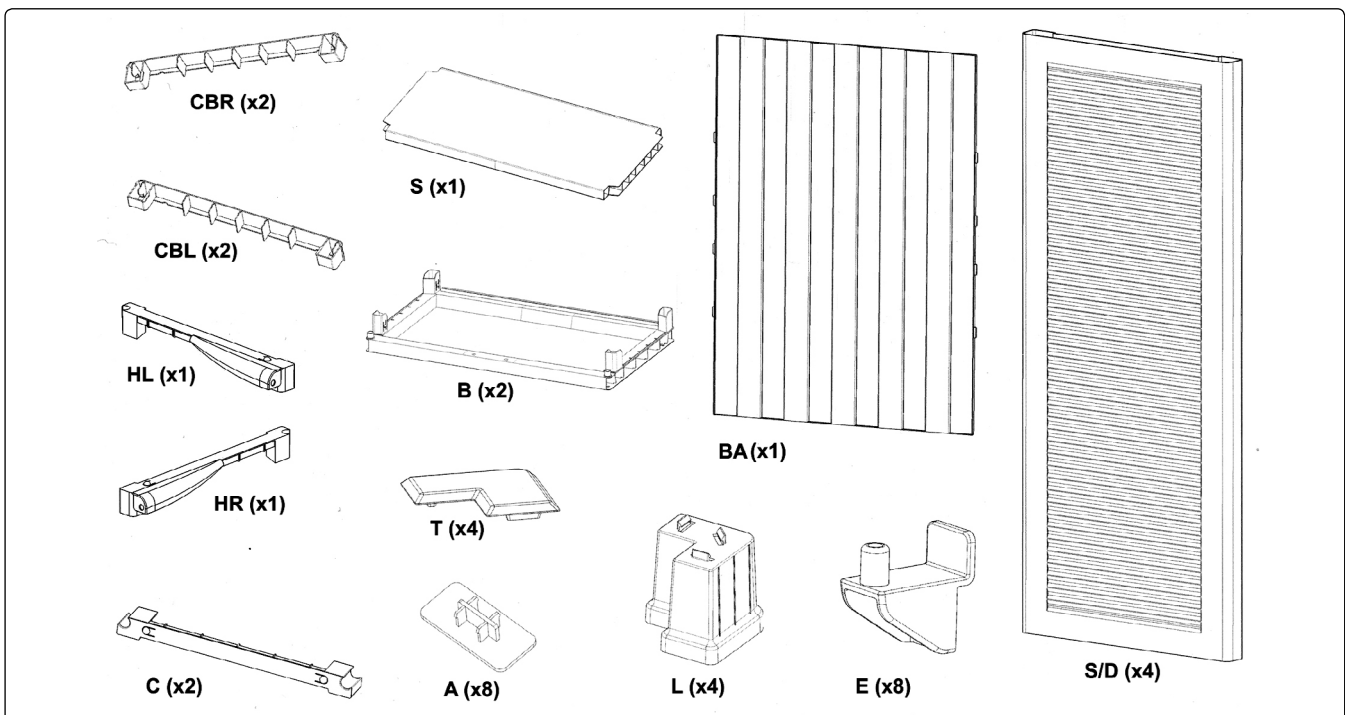
- WARNING!** Ensure Health & Safety, local authority, and general workshop practice regulations are adhered to when using this cupboard.
- ✓ Locate cupboard in a suitable work area.
- ✓ Keep the work area clean, uncluttered and ensure there is adequate lighting.
- WARNING!** Use cupboard on level and solid ground, preferably concrete.
- ✓ Keep the cupboard clean and tidy in accordance with good workshop practice.
- ✓ Keep children and unauthorised persons away from the work area.
- x **DO NOT** use the cupboard for any purpose other than that for which it is designed.
- x **DO NOT** use the cupboard outdoors.
- x **DO NOT** place the cupboard in a damp or wet location or an area where there is condensation.
- x **DO NOT** clean the cupboard with any solvents which may damage the surfaces or the protective coating.
- x **DO NOT** move the cupboard when there are items placed inside.
- x **DO NOT** step on the shelf.
- x **DO NOT** overload the unit - maximum total load capacity is 30kg, 20kg for the shelf and 10kg on the base.



### 2. INTRODUCTION

Supplied flat packed, unit is easy to assemble. Height adjustable shelf giving a total load capacity of 30kg. Ideal for home, office, garage or workshop use

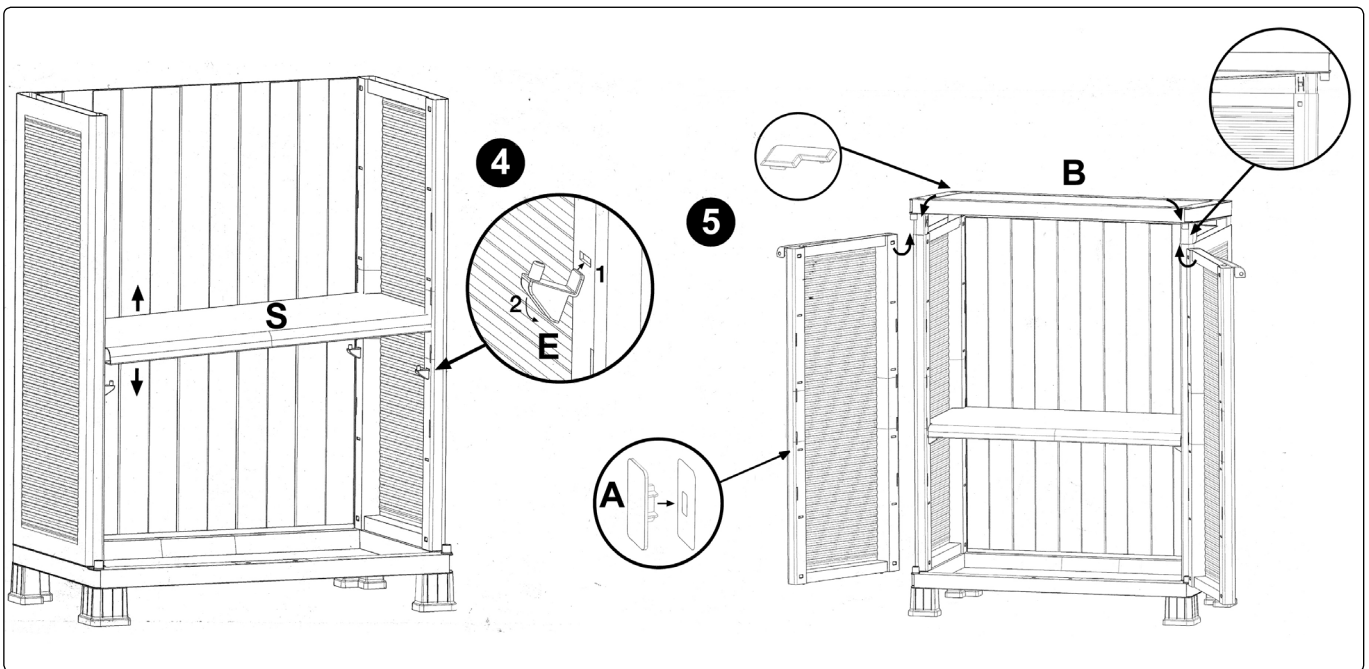
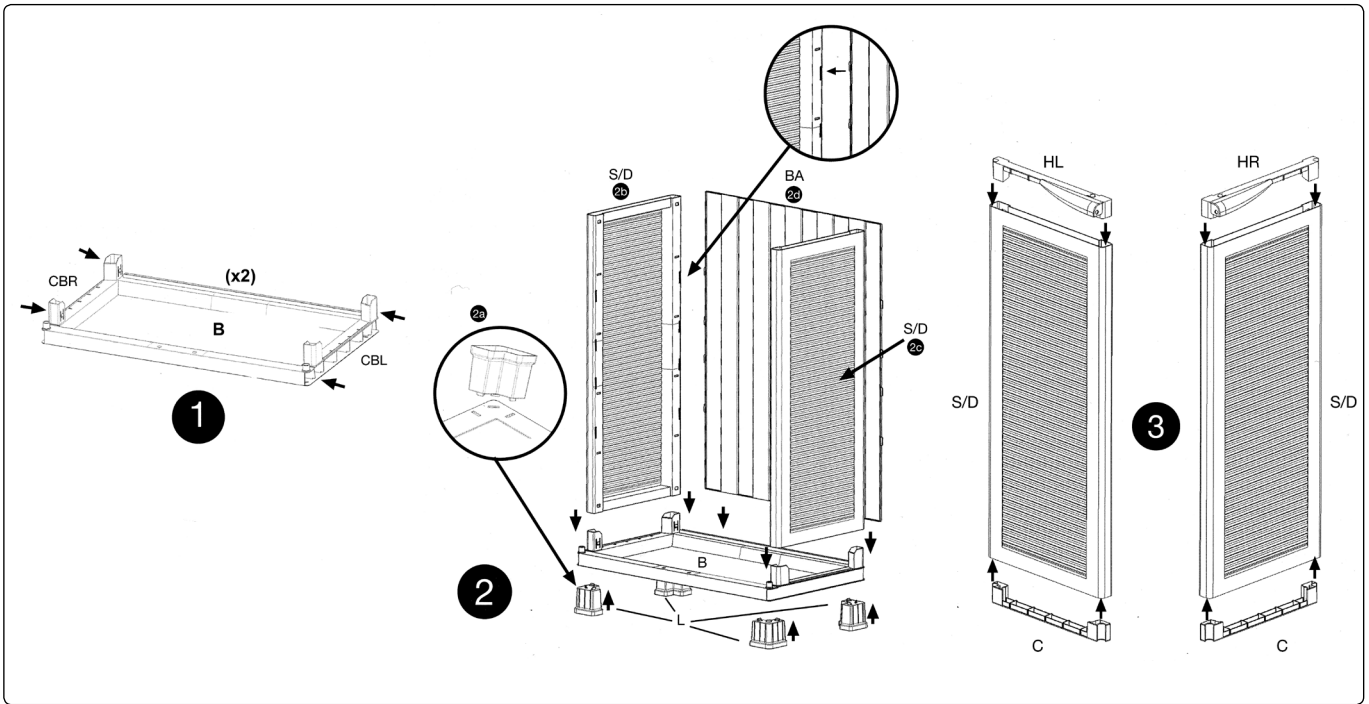
**Dimensions:** Width: 682mm, Depth: 376mm, Height: 921mm.



### 3. ASSEMBLY

3.1. Unpack the box and check the contents against the parts diagram above. If there are any parts missing, contact your local Sealey dealer.

3.2 . Assemble as per the following diagrams, referencing the parts diagram overleaf.



**NOTE:** It is our policy to continually improve products and as such we reserve the right to alter data, specifications and component parts without prior notice.

**IMPORTANT:** No liability is accepted for incorrect use of this product.

**WARRANTY:** Guarantee is 12 months from purchase date, proof of which will be required for any claim.

**INFORMATION:** For a copy of our latest catalogue and promotions call us on 01284 757525 and leave your full name and address, including postcode.



Sole UK Distributor, Sealey Group,  
Kempson Way, Suffolk Business  
Park, Bury St. Edmunds, Suffolk,  
IP32 7AR

01284 757500  
01284 703534

www.sealey.co.uk  
sales@sealey.co.uk