



INSTRUCTIONS FOR:

# AIR STRAIGHT REVERSABLE SCREWDRIVER

MODEL NO: **SA57**

Thank you for purchasing a Sealey product. Manufactured to a high standard, this product will, if used according to these instructions, and properly maintained, give you years of trouble free performance.



**IMPORTANT: PLEASE READ THESE INSTRUCTIONS CAREFULLY. NOTE THE SAFE OPERATIONAL REQUIREMENTS, WARNINGS & CAUTIONS. USE THE PRODUCT CORRECTLY AND WITH CARE FOR THE PURPOSE FOR WHICH IT IS INTENDED. FAILURE TO DO SO MAY CAUSE DAMAGE AND/OR PERSONAL INJURY AND WILL INVALIDATE THE WARRANTY. KEEP THESE INSTRUCTIONS SAFE FOR FUTURE USE.**

## 1. SAFETY

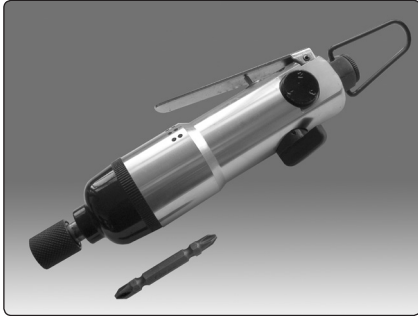
- WARNING!** Disconnect from air supply before changing accessories or servicing.
- WARNING!** Check correct air pressure is maintained and not exceeded.  
We recommend 90psi.
- WARNING! DO NOT** use screwdriver if damaged or faulty. Contact your local service agent.
- DO NOT** use the screwdriver for a task it is not designed to perform.
- DO NOT** hold the workpiece by hand. Use clamps or a vice to secure the workpiece.
- DO NOT** use screwdriver unless you have been instructed in its use by a qualified person.
- DO NOT** drop, throw or abuse the screwdriver.
- DO NOT** carry the screwdriver by the air hose, or yank the hose from the air supply.
- DO NOT** operate screwdriver if you are tired or under the influence of alcohol, drugs or intoxicating medication.
- DO NOT** carry screwdriver with your hand on the power trigger in order to avoid unintentional starting.
- DO NOT** direct air from the air hose at yourself or others.
- Follow all workshop Health & Safety rules, regulations, and conditions when using screwdriver.
- Maintain screwdriver in good condition and replace any damaged or worn parts.  
Use genuine parts only.  
Unauthorised parts may be dangerous and will invalidate the warranty.
- Keep air hose away from heat, oil and sharp edges. Check air hose for wear before each use and ensure that all connections are secure.
- Keep screwdriver bits clean and in good condition for best and safest performance.
- Maintain correct balance and footing. Ensure the floor is not slippery and wear non-slip shoes.
- Secure unstable work-piece with a clamp, vice or other adequate holding device.
- Keep children and unauthorised persons away from the working area.
- Ensure the screwdriver bit is secure in the chuck.
- Wear approved safety eye and ear protection.
- Avoid unintentional starting.
- When not in use disconnect from air supply and store in a safe, dry, childproof location.
- WARNING! The warnings, cautions and instructions discussed in this instruction manual cannot cover all possible conditions and situations that may occur. It must be understood that common sense and caution are factors which cannot be built into this product, but must be applied by the operator.**

## 2. INTRODUCTION

Fully polished, machined, aluminium body. Features three speed settings with forward/reverse control and quick release bit mechanism. Ideal for assembly/dismantling and general production work. Suitable for use with AK2050 Power Tool Bit Set.

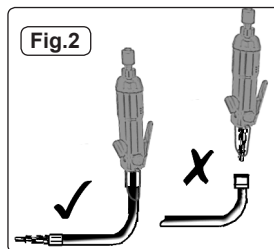
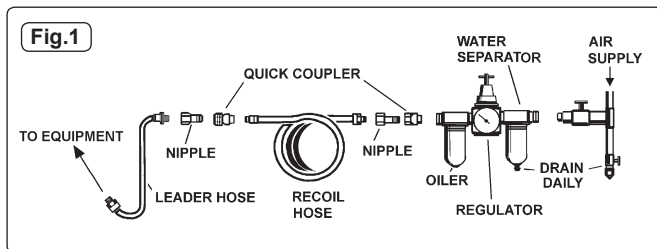
## 3. SPECIFICATION

<b>Model No:</b> . . . . . <b>SA57</b>	<b>Noise Pressure:</b> . . . . . 92.2dB
<b>Chuck size:</b> . . 6mm Hex Quick-Release	<b>Vibration:</b> . . . . . 0.76m/s <sup>2</sup>
<b>Free speed:</b> . . . . . 9800rpm	<b>Uncertainty:</b> . . . . . 0.38m/s <sup>2</sup>
<b>Air consumption:</b> . . . . . 4cfm	
<b>Operating pressure:</b> . . . . . 90psi	
<b>Air Inlet Size:</b> . . . . . 1/4" BSP	
<b>Weight:</b> . . . . . 0.8kg	
<b>Noise Power:</b> . . . . . 103.2dB	



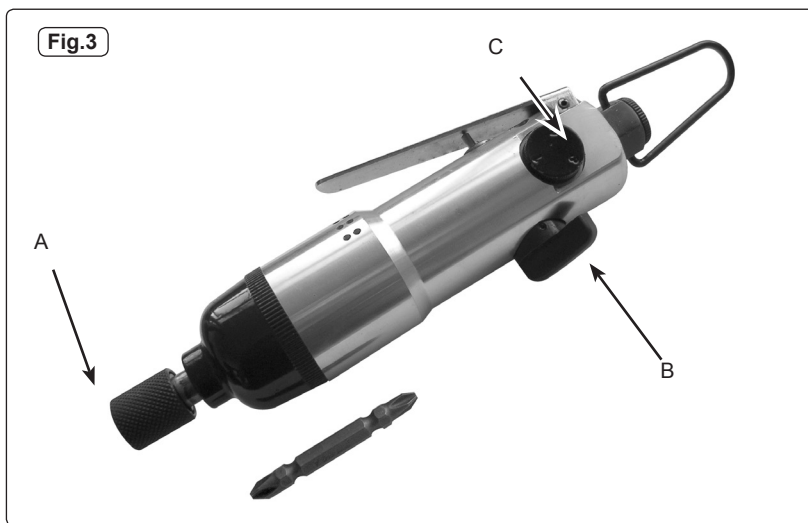
## 4. PREPARATION

- 3.1. Air Supply.**  
Recommended hook-up procedure is shown in fig.1.
  - 3.1.1. Ensure tool valve (or trigger) is in the "off" position before connecting to the air supply.
  - 3.1.2. You will require an air pressure of 90psi, and an air flow according to specification.
  - 3.1.3. **WARNING!** Ensure the air supply is clean and does not exceed 90psi while operating the tool. Too high an air pressure and/or unclean air will shorten the product life due to excessive wear, and may be dangerous causing damage and/or personal injury.
  - 3.1.4. Drain the air tank daily. Water in the air line will damage the tool.
  - 3.1.5. Clean air inlet filter weekly.
  - 3.1.6. Line pressure should be increased to compensate for unusually long air hoses (over 8 meters). The minimum hose diameter should be 1/4" I.D. and fittings must have the same inside dimensions.
  - 3.1.7. Keep hose away from heat, oil and sharp edges. Check hose for wear, and make certain that all connections are secure.
- 3.2. Couplings.**  
Vibration may cause failure if a quick change coupling is connected directly to the tool. To overcome this, connect a leader hose to the tool. A quick change coupling may then be used to connect the leader hose to the air line recoil hose. See fig.1 & 2.



#### 4. OPERATION

- WARNING!** Ensure you read, understand and apply safety instructions before use.
- WARNING!** Disconnect screwdriver from air supply before changing accessories, servicing or performing maintenance.
- X DO NOT** allow screwdriver to free run for an extended period of time as this will shorten its life.
- 4.1. Pull the chuck collar forward and push driver bit into self locking chuck (fig.3.A.), release collar and ensure the bit is secure. To release bit, pull chuck collar forward and pull bit out.
- 4.2. Connect the screwdriver to the air hose as in Section 3.
- 4.3. Check that the screwdriver is set to operate in the required direction. The screwdriver direction is changed by switching the reverse lever (fig.3.B).
- 4.4. Select from speeds 1, 2 or 3 using rotary switch (fig.3.C).
- 4.5. Depress the trigger to operate the screwdriver.



#### 5. MAINTENANCE

- WARNING!** Disconnect screwdriver from air supply before changing accessories, servicing or performing maintenance. Replace or repair damaged parts. Use genuine parts only. Unauthorised parts may be dangerous and will invalidate the warranty.
- 5.1. If the air system does not include an oiler, lubricate the air screwdriver daily with a few drops of Sealey air tool oil dripped into the air inlet to prolong its life.
- 5.2. Clean the screwdriver after use.
- 5.3. Loss of power or erratic action may be due to the following:
  - a) Excessive drain on the air line. Moisture or restriction in the air pipe. Incorrect size or type of hose connectors. To remedy check the air supply and follow instructions in section 3.
  - b) Grit or gum deposits in the screwdriver may also reduce performance. If your model has an air strainer (located in the area of the air inlet), remove the strainer and clean it. Flush the screwdriver out with gum solvent oil or an equal mixture of SAE No 10 oil and paraffin. Allow to dry before use.
- 5.4. When not in use, disconnect from air supply, clean screwdriver and store in a safe, dry, childproof location.



**Environmental Protection**

**Recycle unwanted materials instead of disposing of them as waste. All tools, accessories and packaging should be sorted, taken to a recycling centre and disposed of in a manner which is compatible with the environment. When the product becomes completely unserviceable and requires disposal, drain off any fluids (if applicable) into approved containers and dispose of the product and the fluids according to local regulations.**

**NOTE:** It is our policy to continually improve products and as such we reserve the right to alter data, specifications and component parts without prior notice.

**IMPORTANT:** No liability is accepted for incorrect use of this product.

**WARRANTY:** Guarantee is 12 months from purchase date, proof of which will be required for any claim.

**INFORMATION:** For a copy of our latest catalogue and promotions call us on 01284 757525 and leave your full name and address, including postcode.



**Sole UK Distributor, Sealey Group,**  
Kempson Way, Suffolk Business Park,  
Bury St. Edmunds, Suffolk,  
IP32 7AR

01284 757500

01284 703534

[www.sealey.co.uk](http://www.sealey.co.uk)

[sales@sealey.co.uk](mailto:sales@sealey.co.uk)

## WARNING! – Risk of Hand Arm Vibration Injury.

**This tool may cause Hand Arm Vibration Syndrome if its use is not managed adequately.**

This tool is subject to the vibration testing section of the Machinery Directive 2006/42/EC.

This tool is to be operated in accordance with these instructions.

**Measured vibration emission value (a): . . . . .0.76 m/s<sup>2</sup>**

**Uncertainty value (k):. . . . .0.38 m/s<sup>2</sup>**

*Please note that the application of the tool to a sole specialist task may produce a different average vibration emission. We recommend that a specific evaluation of the vibration emission is conducted prior to commencing with a specialist task.*

A health and safety assessment by the user (or employer) will need to be carried out to determine the suitable duration of use for each tool.

**NB:** Stated Vibration Emission values are type-test values and are intended to be typical.

Whilst in use, the actual value will vary considerably from and depend on many factors.

Such factors include; the operator, the task and the inserted tool or consumable.

**NB:** ensure that the length of leader hoses is sufficient to allow unrestricted use, as this also helps to reduce vibration.

*The state of maintenance of the tool itself is also an important factor, a poorly maintained tool will also increase the risk of Hand Arm Vibration Syndrome.*

### **Health surveillance.**

We recommend a programme of health surveillance to detect early symptoms of vibration injury so that management procedures can be modified accordingly.

### **Personal protective equipment.**

We are not aware of any personal protective equipment (PPE) that provides protection against vibration injury that may result from the uncontrolled use of this tool. We recommend a sufficient supply of clothing (including gloves) to enable the operator to remain warm and dry and maintain good blood circulation in fingers etc. Please note that the most effective protection is prevention, please refer to the Correct Use and Maintenance section in these instructions. Guidance relating to the management of hand arm vibration can be found on the HSC website [www.hse.gov.uk](http://www.hse.gov.uk) - Hand-Arm Vibration at Work.