



INSTRUCTIONS FOR:
AIR SCISSORS
 MODEL No: **SA55.V2**

Thank you for purchasing a Sealey Product. Manufactured to a high standard this product will, if used according to these instructions and properly maintained, give you years of trouble free performance.

⚠ IMPORTANT: PLEASE READ THESE INSTRUCTIONS CAREFULLY. NOTE THE SAFE OPERATIONAL REQUIREMENTS, WARNINGS AND CAUTIONS. USE THIS PRODUCT CORRECTLY AND WITH CARE FOR THE PURPOSE FOR WHICH IT IS INTENDED. FAILURE TO DO SO MAY CAUSE DAMAGE AND/OR PERSONAL INJURY AND WILL INVALIDATE THE WARRANTY. PLEASE KEEP INSTRUCTIONS SAFE FOR FUTURE USE.

1. SAFETY INSTRUCTIONS

- WARNING!** *Ensure Health & Safety, local authority and general workshop practice regulations are adhered to when using this equipment.*
- WARNING!** Disconnect from air supply before changing accessories or servicing.
- ✓ Maintain the tool in good condition and replace any damaged or worn parts. *Use genuine parts only. Unauthorised parts may be dangerous and will invalidate the warranty.*
- WARNING!** Check correct air pressure is maintained and not exceeded. We recommend 90psi.
- ✓ Keep air hose away from heat, oil and sharp edges. Check air hose for wear before each use and ensure that all connections are secure.
- ✓ Wear approved safety eye/face shield, ear defenders and hand protection.
- ✓ Keep fingers clear of blades.
- ✓ Maintain correct balance and footing. Ensure the floor is not slippery and wear non-slip shoes.
- ✓ Keep children and non essential persons away from the working area.
- ✗ **DO NOT** use the tool for a task it is not designed to perform.
- WARNING! DO NOT** use tool if damaged or thought to be faulty. Contact Sealey service agent.
- ✗ **DO NOT** use tool unless you have been instructed in its use by a qualified person.
- ✗ **DO NOT** carry the tool by the air hose, or yank the hose from the air supply.
- ✗ **DO NOT** operate tool if you are tired or under the influence of alcohol, drugs or intoxicating medication.
- ✗ **DO NOT** carry tool with your hand on the power trigger in order to avoid unintentional starting.
- ✗ **DO NOT** direct air from the air hose at yourself or others.
- ✓ When not in use disconnect from air supply and store in a safe, dry, childproof location.

- WARNING:** *The warnings, cautions and instructions discussed in this instruction manual cannot cover all possible conditions and situations that may occur. It must be understood that common sense and caution are factors which cannot be built into this product, but must be applied by the operator.*

2. INTRODUCTION & SPECIFICATION

Polished aluminium housing with textured grip handle. Suitable for accurately cutting metal sheet. Unlike air shears this tool is ideal for trimming ragged sheet edges to gain a flat finish. Handle exhaust helps reduce noise level.

- Max. Cutting Capacity: 1.2mm(Steel) 1.5mm(Aluminium)
- Air Consumption: 4.3cfm
- Operating Pressure: 90psi
- Air Inlet Size: 1/4" BSP
- Weight: 1.4kg
- Replacement Blade Left: SA55.V2-34
- Replacement Cutter Right: SA55.V2-35
- Noise Power: 96.53dB(A)
- Noise Pressure: 85.53dB(A)
- Vibration: 4.78m/s²
- Uncertainty: 0.5868m/s²



3. PREPARING TOOL FOR USE

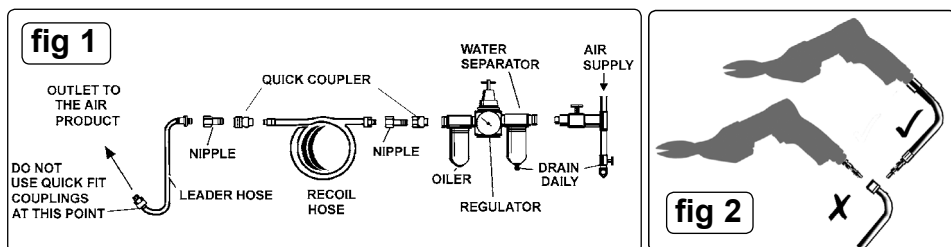
3.1. Air Supply

Recommended hook-up procedure is shown in fig 1.

- 3.1.1. Ensure tool valve (or trigger) is in the "off" position before connecting to the air supply.
- 3.1.2. You will require an air pressure of 90psi, and an air flow according to specification.
- 3.1.3. **WARNING!** Ensure the air supply is clean and does not exceed 90psi while operating the tool. Too high an air pressure and/or unclean air will shorten the product life due to excessive wear, and may be dangerous causing damage and/or personal injury.
- 3.1.4. Drain the air tank daily. Water in the air line will damage the tool.
- 3.1.5. Clean air inlet filter weekly.
- 3.1.6. Line pressure should be increased to compensate for unusually long air hoses (over 8 meters). The minimum hose diameter should be 1/4" I.D. and fittings must have the same inside dimensions.
- 3.1.7. Keep hose away from heat, oil and sharp edges. Check hose for wear, and make certain that all connections are secure.

3.2. Couplings.

Vibration may cause failure if a quick change coupling is connected directly to the tool. To overcome this, connect a leader hose to the tool. A quick change coupling may then be used to connect the leader hose to the air line recoil hose. See fig 1 & 2.



4. OPERATING INSTRUCTIONS

- WARNING!** Ensure you read, understand and apply safety instructions before use.
- 4.1. Remove the scissors from the package. The tool should be assembled and ready to use.
 - 4.2. Connect the scissors to the air hose as in chapter 3.
 - 4.3. To start the scissors, depress the trigger.

DO NOT allow the scissors to free run for an extended period of time as this will shorten its life.

5. MAINTENANCE

- WARNING!** Disconnect tool from air supply before changing accessories, servicing or performing maintenance. Replace or repair damaged parts. *Use genuine parts only. Unauthorised parts may be dangerous and will invalidate the warranty.*

Note: Numbers in brackets refer to item numbers in the parts diagram.

- 5.1. To replace the blades (34 and 35), loosen the three lock screws (32) and slide the cutter housing (31) off the gear case (27). Remove the two lock screws (32) that secure the blades (34, 35 and 37) and remove the blades.
Fit new blades, ensuring the spacers (36) are correctly positioned and refit the lock screws.

Slide the cutter housing onto the gear casing and secure using the lock screw. Tighten all three lock screws.

- 5.2. If the system does not have an oiler lubricate the tool daily with a few drops of Sealey air tool oil dripped into the air inlet.
- 5.3. Clean the tool after use.
- 5.4. Loss of power or erratic action may be due to the following:
 - a) Excessive drain on the air line. Moisture or restriction in the air pipe. Incorrect size or type of hose connector. To remedy check the air supply and follow instructions in chapter 3.
 - b) Grit or gum deposits in the tool may also reduce performance. Flush the tool out with gum solvent oil or an equal mixture of SAE No 10 oil and paraffin.
Allow to dry before use.
- 5.5. For a full service contact your local Sealey service agent.
- 5.6. When not in use, disconnect from air supply, clean tool and store in a safe, dry, childproof location.



Environmental Protection.

Recycle unwanted materials instead of disposing of them as waste. All tools, accessories and packaging should be sorted, taken to a recycle centre and disposed of in a manner which is compatible with the environment.

NOTE: It is our policy to continually improve products and as such we reserve the right to alter data, specifications and component parts without prior notice.

IMPORTANT: No liability is accepted for incorrect use of this product.

WARRANTY: Guarantee is 12 months from purchase date, proof of which will be required for any claim.

INFORMATION: For a copy of our latest catalogue and promotions call us on 01284 757525 and leave your full name and address, including postcode.



Sole UK Distributor, Sealey Group,
Kempson Way, Suffolk Business Park,
Bury St. Edmunds, Suffolk,
IP32 7AR



01284 757500



www.sealey.co.uk



01284 703534



sales@sealey.co.uk

WARNING! – Risk of Hand Arm Vibration Injury.

This tool may cause Hand Arm Vibration Syndrome if its use is not managed adequately.

This tool is subject to the vibration testing section of the Machinery Directive 2006/42/EC.

This tool is to be operated in accordance with these instructions.

Measured vibration emission value (a): 4.78 m/s²

Uncertainty value(k): 0.5868 m/s²

Please note that the application of the tool to a sole specialist task may produce a different average vibration emission.

We recommend that a specific evaluation of the vibration emission is conducted prior to commencing with a specialist task.

A health and safety assessment by the user (or employer) will need to be carried out to determine the suitable duration of use for each tool.

NB: Stated Vibration Emission values are type-test values and are intended to be typical.

Whilst in use, the actual value will vary considerably from and depend on many factors.

Such factors include; the operator, the task and the inserted tool or consumable.

NB: ensure that the length of leader hoses is sufficient to allow unrestricted use, as this also helps to reduce vibration.

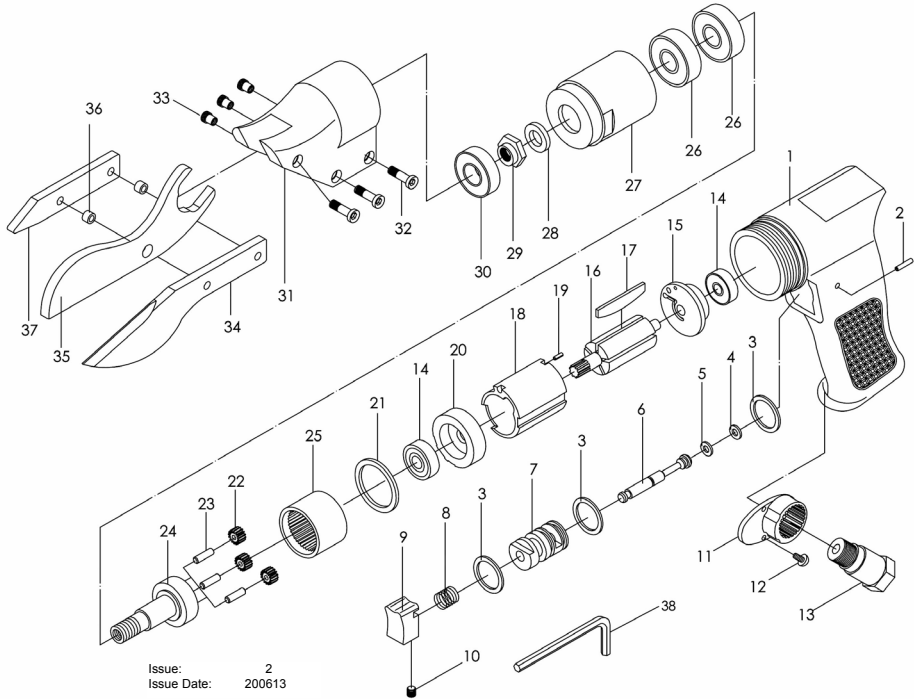
The state of maintenance of the tool itself is also an important factor, a poorly maintained tool will also increase the risk of Hand Arm Vibration Syndrome.

Health surveillance.

We recommend a programme of health surveillance to detect early symptoms of vibration injury so that management procedures can be modified accordingly.

Personal protective equipment.

We are not aware of any personal protective equipment (PPE) that provides protection against vibration injury that may result from the uncontrolled use of this tool. We recommend a sufficient supply of clothing (including gloves) to enable the operator to remain warm and dry and maintain good blood circulation in fingers etc. Please note that the most effective protection is prevention, please refer to the Correct Use and Maintenance section in these instructions. Guidance relating to the management of hand arm vibration can be found on the HSC website www.hse.gov.uk - Hand-Arm Vibration at Work.



Issue: 2
 Issue Date: 200613

ITEM	PART NO	DESCRIPTION	ITEM	PART NO	DESCRIPTION
1	SA55.V2-01	HOUSING	20	SA55.V2-20	FRONT END PLATE
2	SA55.V2-02	TRIGGER PIN	21	SA55.V2-21	WASHER
3	SA55.V2-03	O-RING	22	SA55.V2-22	PLANET GEAR
4	SA55.V2-04	O-RING	23	SA55.V2-23	GEAR PIN
5	SA55.V2-05	O-RING	24	SA55.V2-24	WORKING SPINDLE
6	SA55.V2-06	VALVE STEM	25	SA55.V2-25	INTERNAL GEAR
7	SA55.V2-07	VALVE BUSHING	26	B/6201ZZ	BEARING, 6201ZZ
8	SA55.V2-08	TRIGGER SPRING	27	SA55.V2-27	GEAR CASE
9	SA55.V2-09	TRIGGER	28	SA55.V2-28	WASHER
10	SA55.V2-10	SCREW	29	SA55.V2-29	ECCENTRIC NUT
11	SA55.V2-11	EXHAUST DEFLECTOR	30	SA55.V2-30	BALL BEARING
12	SA55.V2-12	SCREW	31	SA55.V2-31	CUTTER HOUSING
13	SA55.V2-13	AIR INLET BUSHING	32	SA55.V2-32	SCREW
14	SA55.V2-14	BALL BEARING	33	SA55.V2-33	NUT
15	SA55.V2-15	REAR END PLATE	34	SA55.V2-34	REPLACEMENT LOWER BLADE FOR SA55
16	SA55.V2-16	ROTOR	35	SA55.V2-35	REPLACEMENT UPPER BLADE FOR SA55
17	SA55.V2-17	ROTOR BLADE	36	SA55.V2-36	BUSHING
18	SA55.V2-18	CYLINDER	37	SA55.V2-37	BLADE SPACE
19	SA55.V2-19	PIN	38	SA55.V2-38	HEX KEY

NOTE: It is our policy to continually improve products and as such we reserve the right to alter data, specifications and component parts without prior notice.

IMPORTANT: No liability is accepted for incorrect use of product.

WARRANTY: Guarantee is 12 months from purchase date, proof of which will be required for any claim.

INFORMATION: For a copy of our latest catalogue and promotions call us on 01284 757525 and leave your full name and address, including postcode.