

Thank you for purchasing a Sealey product. Manufactured to a high standard this product will, if used according to these instructions and properly maintained, give you years of trouble free performance.



IMPORTANT: PLEASE READ THESE INSTRUCTIONS CAREFULLY. NOTE THE SAFE OPERATIONAL REQUIREMENTS, WARNINGS & CAUTIONS. USE THE PRODUCT CORRECTLY AND WITH CARE FOR THE PURPOSE FOR WHICH IT IS INTENDED. FAILURE TO DO SO MAY CAUSE DAMAGE AND/OR PERSONAL INJURY AND WILL INVALIDATE THE WARRANTY. PLEASE KEEP INSTRUCTIONS SAFE FOR FUTURE USE.

1. SAFETY INSTRUCTIONS

- x **DO NOT** mount the stand on tarmac/adam, as the surface may be unstable.
- x **DO NOT** start the motorcycle when mounted on the stand.
- x **DO NOT** sit on the motorcycle when mounted on the stand.
- x **DO NOT** use the stand for a purpose it is not designed to perform.
- x **DO NOT** operate the stand if it is damaged.
- x **DO NOT** use the stand when you are tired or under the influence of alcohol, drugs or intoxicating medication.
- x **DO NOT** allow untrained persons to operate the stand.
- x **DO NOT** make any modifications to the stand.
- x **DO NOT** operate the stand if parts are missing or damaged.
- ✓ Maintain the stand in a good clean condition for the best and safest performance.
- ✓ Locate the stand and motorcycle in a suitable area. Keep area clean, tidy and free from unrelated materials and ensure that there is adequate lighting. Also ensure that the floor/ground is level and strong enough (preferably concrete) to take the weight of the stand and the motorcycle.
- ✓ Maintain correct balance and footing whilst positioning the motorcycle on the stand, do not over reach.
- ✓ Ensure that the floor is not slippery, wear non-slip footwear.
- ✓ Keep children and unauthorised persons away from the work area.
- ✓ Before removing a motorcycle from the stand, ensure that there are no obstructions or persons around the motorcycle.
- ✓ Always support bike to prevent falling.
- ✓ If using as a front stand, always use in conjunction with another suitable rear stand to ensure full stability.
- ✓ When not in use, store in a safe, dry, childproof location.

2. INTRODUCTION & SPECIFICATION

2.1. Introduction.

Lifts and stabilises any dual-sided swingarm motorcycle quickly and easily. Fitted with width and angle adjustable 'L' shaped rubber support pads. This stand has the additional advantage of being fitted with lockable castors to assist with the manoeuvring of the motorcycle.

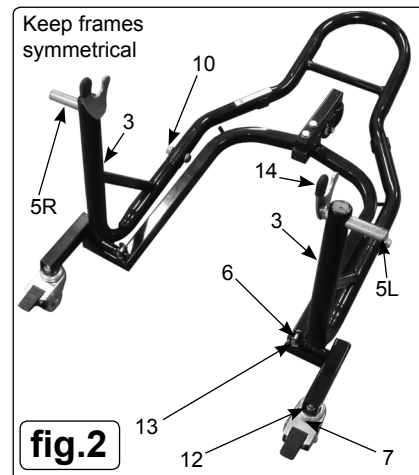
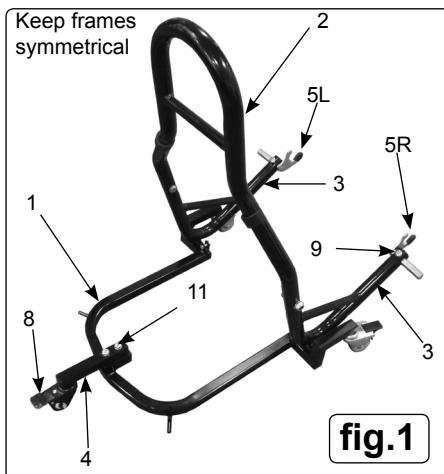
2.2. Specification.

Model No: **RPS7**
Minimum Width: 250mm
Maximum Width: 355mm

3. ASSEMBLY INSTRUCTIONS

3.1 Assembly. (Tools required 2x14mm A/F spanners, a 17mm A/F spanner, 6mm Allen key)

- 3.1.1 Check contents of packaging against the diagrams (fig.1), (fig.2) and the parts list. **NB!** Some items may be pre-assembled. In the unlikely event of missing or damaged parts, contact your Sealey Dealer immediately. Retain packaging.
- 3.1.2 Fit 2 castors (item 7) to tripod frame (item 1) with M10 hexagon nuts (item 12).
- 3.1.3 Fit castor (item 8) to outrigger (item 4) and bolt this sub assembly to the tripod frame with M10 hexagon bolts and nuts (item 11)
- 3.1.4 Fit two pivot forks (item 3) to tripod frame. The pivot spindle of the forks enters a 10mm diameter hole in the tripod frame and a formed channel bracket. A shoulder pin (item 6) passes through the channel bracket over the pivot spindle. Retain shoulder pins with clips (item 13).
- 3.1.5 Fit handle (item 2) to forks (item 3) using M10 domed head screws and M10 hexagon stiff nuts. The domed head of the screws must be fitted inboard frame and the stiff nuts outboard.
- 3.1.6 Fit carrier jaws (item 5L) and (item 5R) with machined flats facing clamp screws (item 9), place rubber covers (item 14).
- 3.1.7 With castors on the deck sweep the handle and forks about pivot to prove assembly. Adjust as required.



4. PARTS

Item	Description	Qty
1	Tripod frame	1
2	Handle	1
3	Pivot fork	2
4	Outrigger	1
5R	Carrier jaw	1
5L	Carrier jaw	1
6	Shoulder pin	2
7	Trailing castor	2
8	Leading castor	1
9	M10 x 45 domed hd scr. stiff nuts & washers	2-sets
10	M10 x 16 domed hd scr.	2
11	M10 X 40 hex hd scr. and washers	2-sets
12	M10 hex nut	3
13	Clip	2
14	Rubber covers	2

5. OPERATING INSTRUCTIONS

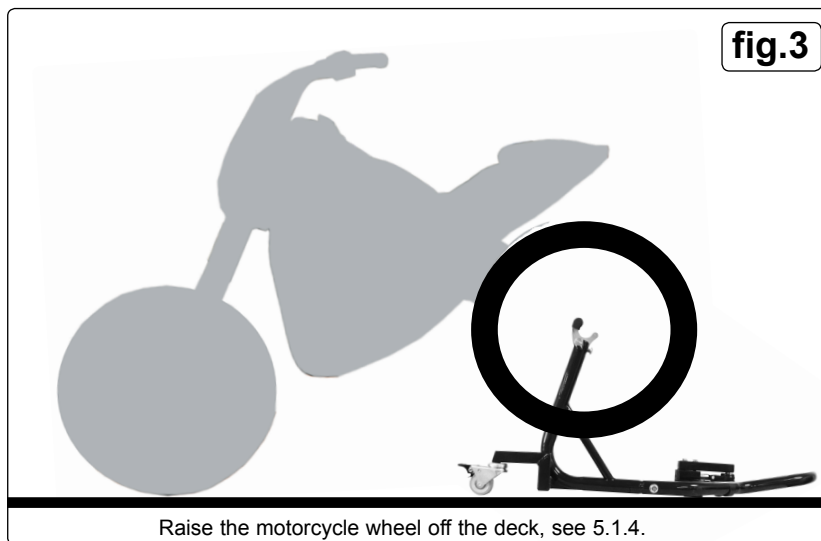
NOTE: The stand needs to be used in conjunction with suitable external motorcycle support to ensure full stability. Although the support stand can be operated by one person, we advise seeking the assistance of a second person. A concrete deck working area is recommended (tarmacadum may crumble).

5.1. Support stand placement (fig.3).

- 5.1.1 Decide on pick up points on wheel axis and measure distance between.
- 5.1.2 Keeping the carrier jaws central about the frame, adjust to required gap.
- 5.1.3 With the handle vertical as in (fig.1) and the motorcycle held, roll the stand to straddle the axle to be lifted. The jaws sweep in an arc and it will be necessary to adjust stand position by eye to align with lifting points.
- 5.1.4 Raise the motorcycle wheel off the deck by swinging the handle to the horizontal position shown in (fig.2 & 3) and apply castor brakes.
- 5.1.5 Check that the motorcycle is stable on the stand and suitably supported before servicing or leaving it.

5.2. Removing the stand.

- 5.2.1 Continuing to support the motorcycle, release the castor locks and slowly lift the handle. Once the stand forks are vertical the weight of the motorcycle will begin to influence the lowering force, keeping a firm grip on the handle slowly lower the motorcycle to the concrete deck.
- 5.2.2 When descent is complete roll the stand away from beneath the motorcycle.



6. MAINTENANCE

- 6.1. Before each use, check all parts. If any part of the stand is damaged or defective, remove it from service and take the necessary action to remedy the problem.
- 6.2. Keep the stand clean and wipe off any oil or grease.
- 6.3. When the stand is not in use, store it in a safe, dry, childproof location.



Environmental Protection.

Recycle unwanted materials instead of disposing of them as waste. All tools, accessories and packaging should be sorted, taken to a recycle centre and disposed of in a manner which is compatible with the environment.

NOTE: It is our policy to continually improve products and as such we reserve the right to alter data, specifications and component parts without prior notice.

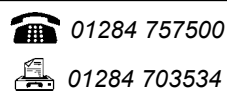
IMPORTANT: No liability is accepted for incorrect use of this product.

WARRANTY: Guarantee is 12 months from purchase date, proof of which will be required for any claim.

INFORMATION: For a copy of our latest catalogue and promotions call us on 01284 757525 and leave your full name and address, including postcode.



Sole UK Distributor, Sealey Group,
Kempson Way, Suffolk Business Park,
Bury St. Edmunds, Suffolk,
IP32 7AR



www.sealey.co.uk



sales@sealey.co.uk