

Thank you for purchasing a Sealey product. Manufactured to a high standard this product will, if used according to these instructions and properly maintained, give you years of trouble free performance.

**IMPORTANT: PLEASE READ THESE INSTRUCTIONS CAREFULLY. NOTE THE SAFE OPERATIONAL REQUIREMENTS, WARNINGS AND CAUTIONS. USE THE PRODUCT CORRECTLY AND WITH CARE FOR THE PURPOSE FOR WHICH IT IS INTENDED. FAILURE TO DO SO MAY CAUSE DAMAGE AND/OR PERSONAL INJURY AND WILL INVALIDATE THE WARRANTY. PLEASE KEEP INSTRUCTIONS SAFE FOR FUTURE USE.**

## 1. SAFETY INSTRUCTIONS

### 1.1. ELECTRICAL SAFETY

**WARNING!** It is the responsibility of the owner and the operator to read, understand and comply with the following:

You must check all electrical products, before use, to ensure that they are safe. You must inspect power cables, plugs, sockets and any other connectors for wear or damage. You must ensure that the risk of electric shock is minimised by the installation of appropriate safety devices. A Residual Current Circuit Breaker (RCCB) should be incorporated in the main distribution board. We also recommend that a Residual Current Device (RCD) is used. It is particularly important to use an RCD with portable products that are plugged into a supply which is not protected by an RCCB. If in any doubt consult a qualified electrician. You may obtain a Residual Current Device by contacting your Sealey dealer.

**You must** also read and understand the following instructions concerning electrical safety.

1.1.1. The **Electricity at Work Act 1989** requires all portable electrical appliances, if used on business premises, to be tested by a qualified electrician, using a Portable Appliance Tester (PAT), at least once a year.

1.1.2. The **Health & Safety at Work Act 1974** makes owners of electrical appliances responsible for the safe condition of those appliances and the safety of the appliance operators. **If in any doubt about electrical safety, contact a qualified electrician.**

1.1.3. Ensure that the insulation on all cables and on the appliance is safe before connecting it to the power supply. See 1.1.1. and 1.1.2. and use a Portable Appliance Tester.

1.1.4. Ensure that cables are always protected against short circuit and overload.

1.1.5. Regularly inspect power supply cables and plugs for wear or damage and check all connections to ensure that none is loose.

1.1.6. **Important:** Ensure that the voltage marked on the appliance matches the power supply to be used and that the plug is fitted with the correct fuse - see fuse rating at right.

1.1.7. **DO NOT** pull or carry the appliance by the power cable.

1.1.8. **DO NOT** pull the plug from the socket by the cable.

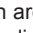
1.1.9. **DO NOT** use worn or damaged cables, plugs or connectors. Immediately have any faulty item repaired or replaced by a qualified electrician. When an ASTA/BS approved UK 3 pin plug is damaged, cut the cable just above the plug and **dispose of the plug safely.** Fit a new plug according to the following instructions (UK only).

a) Connect the **GREEN/YELLOW** earth wire to the earth terminal 'E'.

b) Connect the **BROWN** live wire to the live terminal 'L'.

c) Connect the **BLUE** neutral wire to the neutral terminal 'N'.

d) **After wiring, check that there are no bare wires, that all wires have been correctly connected, that the cable outer insulation extends beyond the cable restraint and that the restraint is tight.**

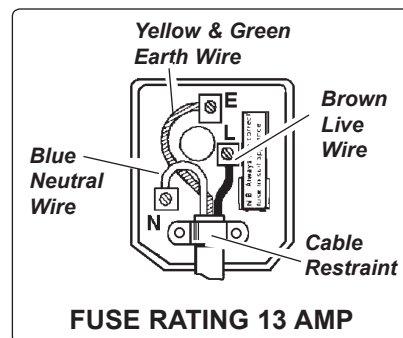
Double insulated products, which are always marked with this symbol , are fitted with live (brown) and neutral (blue) wires only. To rewire, connect the wires as indicated above - **DO NOT** connect either wire to the earth terminal.

1.1.10. Products which require more than 13 amps are supplied without a plug. In this case you must contact a qualified electrician to ensure that a suitably rated supply is available. We recommend that you discuss the installation of an industrial round pin plug and socket with your electrician.

1.1.11. If an extension reel is used it should be fully unwound before connection. A reel with an RCD fitted is preferred since any appliance plugged into it will be protected. The cable core section is important and should be at least 1.5mm<sup>2</sup>, but to be absolutely sure that the capacity of the reel is suitable for this product and for others which may be used in the other output sockets, we recommend the use of 2.5mm<sup>2</sup> section cable. If extension reel is to be used outdoors, ensure it is marked for outdoor use.

### 1.2. GENERAL SAFETY

- ✓ Disconnect the cleaner from the power supply before servicing, changing accessories, or performing any maintenance.
- ✓ Use only genuine parts and accessories. *Unauthorised parts and accessories may be dangerous and will invalidate your warranty.*
- ✓ Maintain the cleaner in good condition. Use authorised agent for servicing. Keep machine clean, but **DO NOT** use solvents.
- ✓ Ensure that the correct paper filter bag is firmly in place before operating the cleaner. *Incorrect bags may cause machine faults and will invalidate your warranty.*
- ✓ Wear protective clothing and gloves.
- x **DO NOT** allow children or untrained persons to operate the cleaner.
- x **DO NOT** place attachments close to your face (especially eyes, ears, etc). Do not point the hose end at other persons or animals.
- ▲ **DANGER! DO NOT** vacuum very fine powders, hot or glowing ash, inflammable, explosive, corrosive or otherwise dangerous substances.
- x **DO NOT** operate the unit without the paper filter bag (except when wet vacuuming).
- x **DO NOT** leave machine running unattended. Turn power supply OFF, and **DO NOT** leave the vicinity until motor has come to a complete stop.
- x **DO NOT** operate the cleaner when you are tired or under the influence of alcohol, drugs or intoxicating medication.
- x **DO NOT** use the cleaner in the rain or in very damp conditions.
- x **DO NOT** use the cleaner for a task it is not designed to perform.
- ✓ When not in use, store the cleaner in a safe, dry, childproof location.



## 2. INTRODUCTION & SPECIFICATIONS

### 2.1. Introduction

- 2.1.1. A new generation of advanced industrial vacuum cleaners, the extremely efficient ProfiClean twin motor range offers superior vacuuming and is suitable for industrial and commercial applications where extra capacity and power are required to clean large areas and/or large volumes of waste. Both models feature 2 x 1200W high power induction motors, auxiliary 800W power socket, high capacity stainless steel drum and triple filtration system with an efficiency greater than 99.97%. Each trolley has two Ø155mm fixed wheels and two front swivel castors for easy manoeuvrability, large bumper, power cable winder and accessories holder. The PC80 and PC90P are also powerful liquid vacuum cleaners, with the PC90P featuring a trolley mounted electric pump for liquid discharge. Both models supplied with full Ø45mm accessory kit.

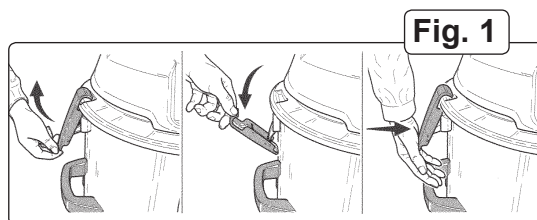
### 2.2. Specifications

Model	Motor Power	Supply	Air Flow	Drum size	Weight
PC80	1200W x 2	230V	195m <sup>3</sup> /h	80ltr	24kg
PC90P	1200W x 2	230V	195m <sup>3</sup> /h	90ltr	25kg

## 3. CONTENTS & ASSEMBLY

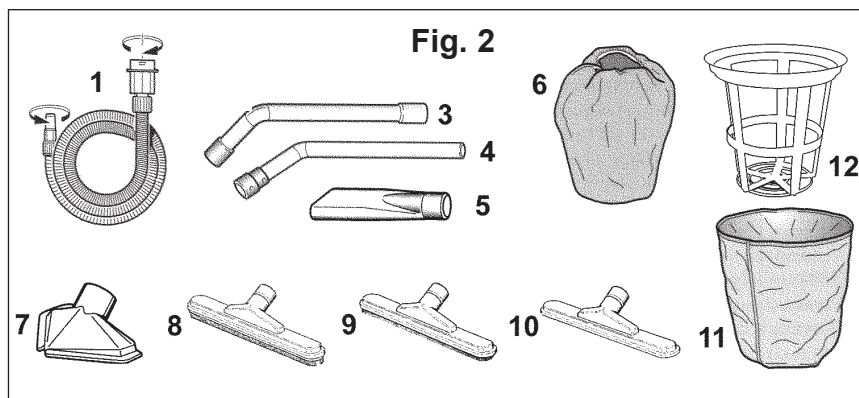
### 3.1. Carton content

- 3.1.1. Release the side clips, Fig. 1, and lift the motor head from the container. Take out the items in the container.
- 3.1.2. Replace and re-clip motor head.
- 3.1.3. Check and identify each accessory as shown in Fig. 2 and listed below. If anything is missing or damaged contact your supplier immediately.



### Item Description

1. Flexible hose with swivelling connectors.
3. Upper curved tube.
4. Lower curved tube.
5. Crevice tool.
6. Sponge filter.
7. Triangular solid waste nozzle.
8. Industrial floor brush.
9. Industrial carpet brush.
10. Industrial brush for liquids.
11. "BIA" basket pre-filter, polyester felt.
12. Basket.



### 3.2. Assembly

**Note:** Numbers in brackets refer to Fig. 3.

- 3.2.1. Attach the handgrip (1) to the container drum (2) by fitting it into the holders (3) and then tighten the locking screws (4).

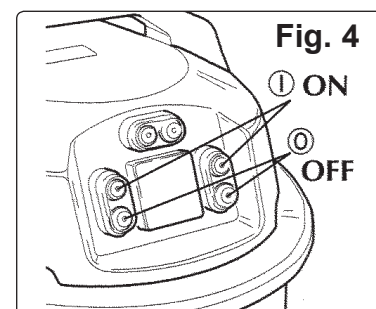
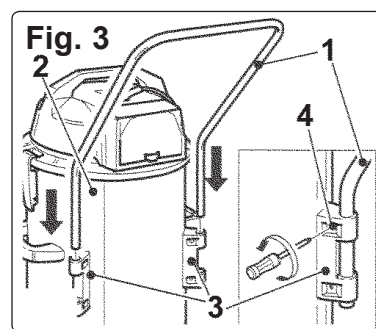
## 4. DRY VACUUM CLEANING



### Using the machine as a "DRY" cleaner only (no liquids involved).

UNPLUG AT THE MAINS BEFORE OPENING THE CLEANER.  
DO NOT VACUUM SOLVENTS OR EXPLOSIVE, INFLAMMABLE OR OTHER HAZARDOUS SUBSTANCES.  
THE USE OF AN INCORRECT FILTER WILL INVALIDATE THE WARRANTY.

- 4.1. Ensure that the machine is unplugged at the mains.
- 4.2. Remove the motor head by undoing the two side clips, Fig. 1 and lifting off the head.
- 4.3. Ensure the cartridge filter is correctly fitted and clean, see paras. 7.1 & 7.2.
- 4.4. If required, fit either the basket pre-filter or a disposable collecting bag, see paras. 7.3 & 7.8.
- 4.5. Re-fit the motor head and secure using the two side clips, Fig. 1.
- 4.6. Connect the flexible hose to the drum and extension tubes as required.
- 4.7. Attach the appropriate end nozzle.
- 4.8. Ensure that the power switches, Fig. 4, are in the 'O' (Off) position before plugging in.
- 4.9. Plug into the mains supply and select 'I' on the power switches. You are now ready to use the machine as a dry vacuum cleaner. When you have completed vacuuming, select 'O' on the power switches and unplug from the mains.
- 4.10. Check that accessories are not blocked or damaged and are in good working order. Damaged parts must be replaced. Blocked hoses or tubes will impair performance and may damage the machine.

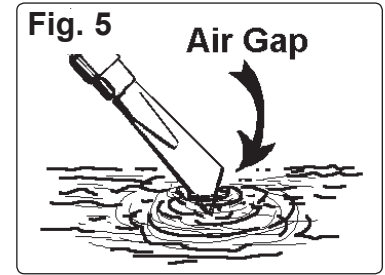


## 5. WET VACUUM CLEANING

**WARNING!** Ensure that you read, understand and apply Section 1 Safety Instructions. DO NOT vacuum solvents, explosives, inflammable and/or hazardous liquids such as petrol, oil, spirits, paint, thinners, acids etc.

### 5.1. Wet Vacuum Cleaning - PC80 & PC90P

- 5.1.1. Ensure that the machine is unplugged from the power supply.
- 5.1.2. Remove the motor head by undoing the two side clips, Fig. 1, and lifting off the head.
- 5.1.3. Remove the filters and the disposable collecting bag.
- 5.1.4. Make sure the container is clean and free from dust and dirt.
- 5.1.5. Fit the sponge filter (para. 7.5), replace the motor head and secure using the side clips.
- 5.1.6. Attach the same flexible hose as used for dry cleaning and fit the appropriate nozzle.
- 5.1.7. Ensure the switches are in the "O" position, Fig. 4, and then plug the cleaner into the power supply.
- 5.1.8. To vacuum large quantities of liquid, from a sink or tank, etc., do not immerse tool completely in the liquid, leave a gap at the top of the tool opening to allow an air inflow, Fig. 5.
- 5.1.9. The machine is fitted with a float valve which stops the suction action when the container has reached its maximum capacity or if the cleaner is overturned. There will be an increase in motor speed. When this happens, turn the motors off and disconnect from power supply.

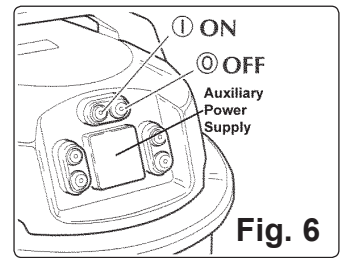


### 5.2. Emptying the container - PC80

**Note:** It is advisable to empty the container when it is less than half full.

**The container is not designed to store water, please ensure the container is emptied immediately after use.**

- 5.2.1. Ensure the machine is unplugged from the power supply.
- 5.2.2. Remove the motor head by undoing the two side clips, Fig. 1, and lifting off the head.
- 5.2.3. Empty liquid into a suitable receptacle or drain.
- 5.2.4. To continue vacuuming, refit head and proceed.
- 5.2.5. On completion of wet vacuuming, empty the container and dry inside and out.



**Remember!** After wet vacuuming the cartridge filter element **must** be refitted before dry vacuuming again.

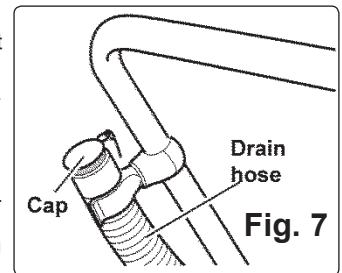
### 5.3. Emptying the container - PC90P

- 5.3.1. The PC90P is fitted with a pump which can be used to empty the container of liquids.
- 5.3.2. To operate the pump, turn the vacuum motors off and plug the pump into the auxiliary power socket on the motor head, Fig. 6.
- 5.3.3. Remove the cap, Fig. 7, place the drain hose into a suitable receptacle or drain and start the pump.
- 5.3.4. As the liquid level drops, tilt the cleaner backwards in order to empty the container completely.
- 5.3.5. Switch off the pump as soon as liquid stops flowing from the drain hose.

**Note:** If liquid stops flowing from the drain hose and there is still sufficient liquid in the container to cover the filter, the filter may be blocked. Switch off the pump immediately and clean the filter, para. 7.10.

- 5.3.6. Empty the bin and clean and dry the inside and outside before storage.

**Remember!** After wet vacuuming the cartridge filter element **must** be refitted before dry vacuuming again.



## 6. AUXILIARY POWER SUPPLY

**Note:** The maximum rating for an appliance operated from the auxiliary power supply is 800W.

- 6.1. To use the auxiliary power supply, Fig. 6, lift the cover plate and plug in the appliance. The On/Off switch is above the socket.

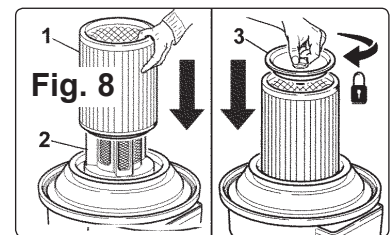
## 7. FILTERS

**WARNING!** Disconnect the cleaner from the power supply before servicing, changing accessories, or performing any maintenance.

### 7.1. Cartridge Filter - Fitting - Fig. 8

**Note:** Numbers in brackets refer to Fig. 8.

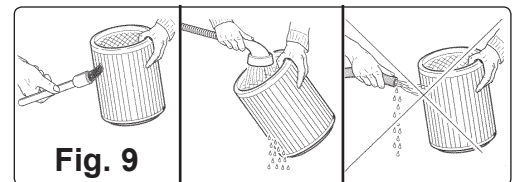
- 7.1.1. To fit the cartridge filter, remove the motor head by undoing the two side clips, Fig. 1, and lifting off the head.
- 7.1.2. Position the filtering element (1) on the motor support (2), fit the adaptor disk (3) on the filtering element (1) and secure both to the motor support by turning the adaptor disc (3) in a clockwise direction.



- 7.1.3. Refit the motor head and secure using the two side clips, Fig. 1.

### 7.2. Cartridge Filter - Cleaning

- 7.2.1. To clean the cartridge filter, remove the motor head by undoing the two side clips, Fig. 1, and lifting off the head.
- 7.2.2. Turn the adaptor disc, Fig. 8.3, in an anti-clockwise direction to unlock it.
- 7.2.3. Remove the adaptor disc and cartridge filter, Fig. 8.1.
- 7.2.4. Clean the cartridge filter frequently using a soft bristle brush as shown in Fig. 9.
- 7.2.5. To clean the filter more thoroughly, use a shower fitting and direct the jet of water from the inside towards the outside of the filter, Fig. 9.



**Note:** Handle with great care as the cartridge filter becomes extremely delicate when wet.

- 7.2.6. Ensure that the cartridge filter is completely dry before refitting.
- 7.2.7. The cartridge filter should be replaced if it becomes heavily contaminated or damaged.

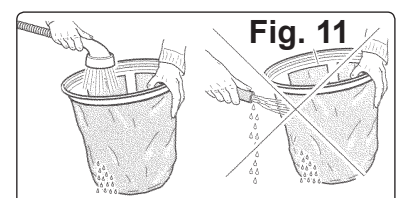
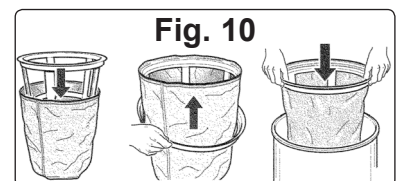
### 7.3. Basket Pre-Filter - Assembly and Fitting - Fig. 10

**Note:** Use this pre-filter only when the cartridge filter element is fitted.

- 7.3.1. To assemble the basket pre-filter, fit the filter onto the basket edge and secure in place using the plastic snap ring provided.

**Note:** The plastic basket frame has six dovetail hooks underneath the upper rim. After fitting the filter material, ensure that the plastic snap ring is secured by all six of the hooks.

- 7.3.2. To fit the assembled filter assembly, remove the motor head by undoing the two side clips, Fig. 1, and lifting off the head.
- 7.3.3. Insert the pre-filter into the drum, Fig. 10, refit the motor head and secure using the two side clips, Fig. 1.



**7.4. Basket Pre-Filter - Cleaning - Fig. 11**

- 7.4.1. To clean the basket pre-filter, remove the motor head by undoing the two side clips, Fig. 1, and lifting off the head.
- 7.4.2. Lift out the basket pre-filter assembly.
- 7.4.3. Using a shower fitting, direct the jet of water from the inside towards the outside of the filter.
- 7.4.4. Ensure the filter is completely dry before refitting.
- 7.4.5. The filter should be replaced if it becomes worn or damaged.

**7.5. Sponge Filter - Fitting - Fig. 12**

- 7.5.1. To fit the sponge filter, remove the motor head by undoing the two side clips, Fig. 1, and lifting off the head.
- 7.5.2. Ensure the basket pre-filter, cartridge filter and disposable collecting bag have been removed.
- 7.5.3. Fit the sponge filter to the motor support, ensuring the elastic of the sponge filter overlaps the edge of the motor support.
- 7.5.4. Refit the motor head and secure using the two side clips, Fig. 1.

**7.6. Sponge Filter - Cleaning - Fig. 13**

- 7.6.1. To clean the sponge filter, remove the motor head by undoing the two side clips, Fig. 1, and lifting off the head.
  - 7.6.2. Remove the sponge filter from the motor support and rinse under running water.
- Note:** Do not use detergents when washing the sponge filter.  
The filter should be replaced if it becomes worn or damaged.

**7.7. "US-HEPA" Air Outlet Filter - Replacement - Fig. 14**

- 7.7.1. This filter ensures that air blown back into the room is free from impurities and should be replaced periodically.
- 7.7.2. Release the container by lifting the release tab as shown in Fig. 14.
- 7.7.3. Replace the filter ensuring that the seal is facing towards the outside of the container.
- 7.7.4. Refit the container ensuring it clicks into place.

**7.8. Disposable Collection Bag - Fitting - Fig. 15**

- Note:** Use the bag only when both the cartridge filter and the basket are fitted.
- 7.8.1. To fit the disposable collection bag, remove the motor head by undoing the two side clips, Fig. 1, and lifting off the head.
  - 7.8.2. Insert the bag into the container and fit the plastic flange to the air inlet union as shown in Fig. 15.
  - 7.8.3. Spread the bag out and lap the top of the bag over the rim of the container.
  - 7.8.4. Fit the basket into the container, refit the motor head and secure using the two side clips, Fig. 1.

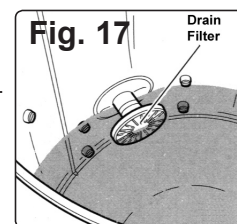
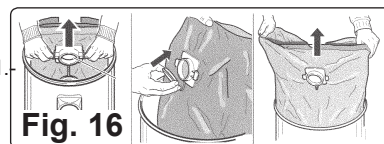
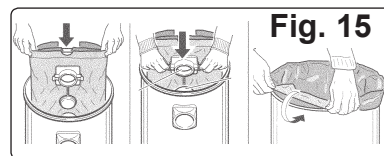
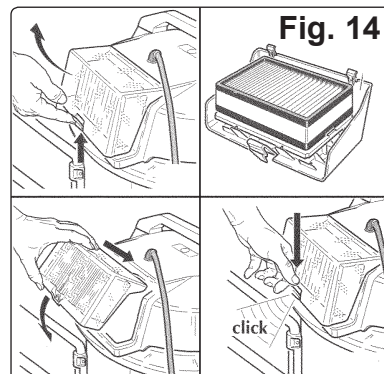
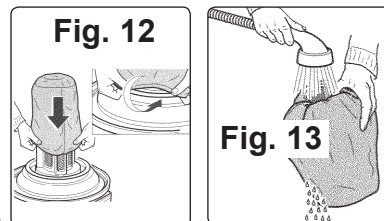
- WARNING!** Do not use to vacuum sharp materials.
- 7.8.5. The bag should be replaced when approximately half full. DO NOT re-use.

**7.9. Disposable Collection Bag - Replacement - Fig. 16**

- 7.9.1. To replace the disposable collection bag, remove the motor head by undoing the two side clips, Fig. 1, and lifting off the head.
- 7.9.2. Carefully lift out the basket ensuring all the vacuumed material remains in the collection bag.
- 7.9.3. Remove the plastic flange from the air inlet union and close the plastic flange using the cap attached to the bag.
- 7.9.4. Carefully lift the bag out of the container ensuring that it is not damaged in the process.

**7.10. Drain Filter - Cleaning - PC90P only - Fig. 17**

- 7.10.1. Remove the motor head by undoing the two side clips, Fig. 1, and lifting off the head.
- 7.10.2. Pull the drain filter off the water outlet and clean thoroughly in clean water. The filter should be replaced if worn or damaged.
- 7.10.3. Refit the motor head and secure using the two side clips.



**8. TROUBLESHOOTING**

Cleaner will not operate.	No power supply. Faulty power cable, switch or motor. Container full of liquid.	Check supply. Check and repair or replace faulty item. Empty container.
Dust comes from the motor cover.	Filter cartridge missing or damaged.	Fit or replace.
Reduced efficiency and increased motor speed/vibration.	Paper filter bag and/or cartridge clogged. Nozzle, hose or bin inlet blocked.	Replace paper filter bag and/or clean cartridge. Check nozzle, hose and bin inlet for blockage.

**NOTE:** It is our policy to continually improve products and as such we reserve the right to alter data, specifications and component parts without prior notice.  
**IMPORTANT:** No liability is accepted for incorrect use of this product.  
**WARRANTY:** Guarantee is 12 months from purchase date, proof of which will be required for any claim.  
**INFORMATION:** For a copy of our latest catalogue and promotions call us on 01284 757525 and leave your full name and address, including postcode.



**SEALEY POWER PRODUCTS** Sole UK Distributor, Sealey Group, Kempson Way, Suffolk Business Park, Bury St. Edmunds, Suffolk, IP32 7AR

01284 757500    www.sealey.co.uk  
 01284 703534    sales@sealey.co.uk