

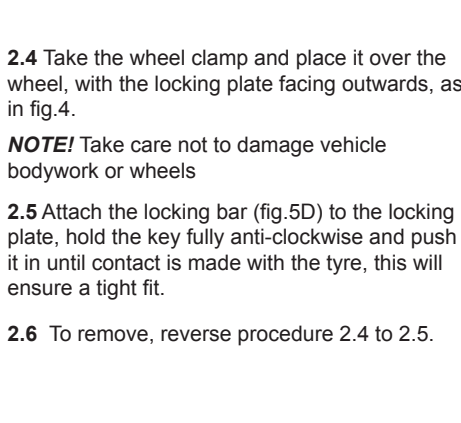
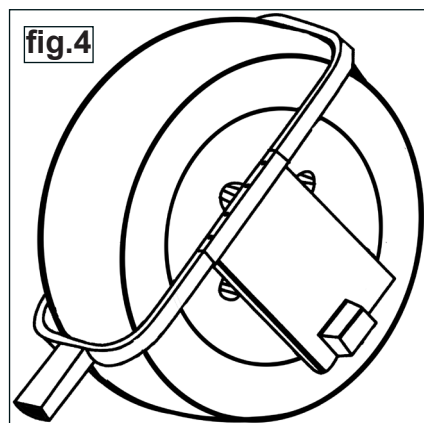
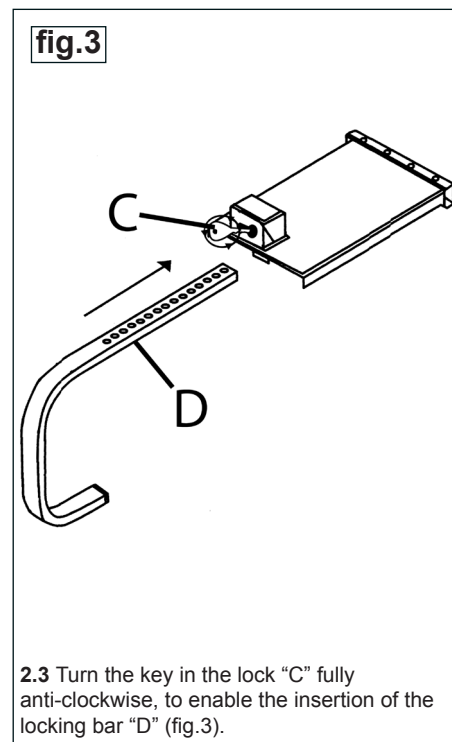
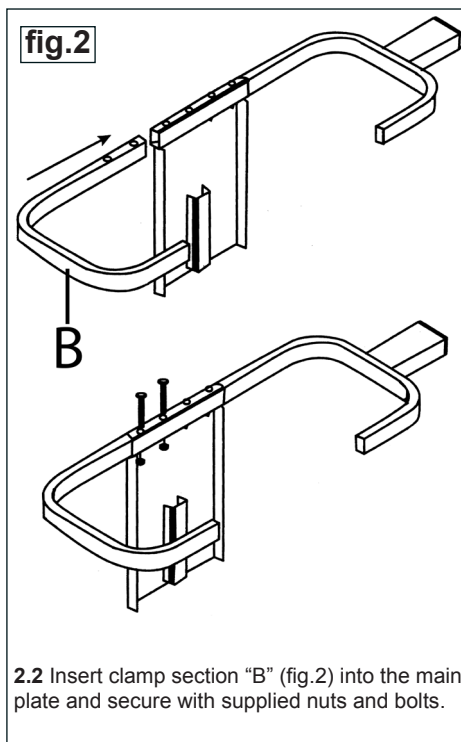
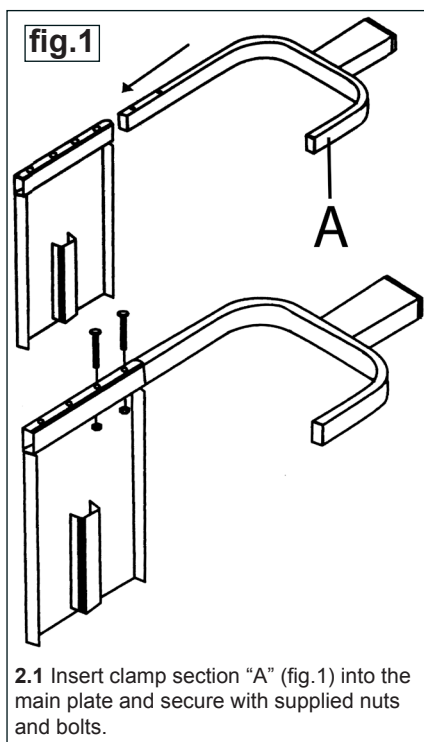
Thank you for purchasing a Sealey Product. Manufactured to a high standard this product will, if used according to these instructions and properly maintained, give you years of trouble free performance.

**IMPORTANT:** PLEASE READ THESE INSTRUCTIONS CAREFULLY. NOTE THE SAFE OPERATIONAL REQUIREMENTS, WARNINGS AND CAUTIONS. USE THIS PRODUCT CORRECTLY AND WITH CARE FOR THE PURPOSE FOR WHICH IT IS INTENDED. FAILURE TO DO SO MAY CAUSE DAMAGE AND/OR PERSONAL INJURY AND WILL INVALIDATE THE WARRANTY. PLEASE KEEP INSTRUCTIONS SAFE FOR FUTURE USE.

### 1. SAFETY INSTRUCTIONS

- WARNING!** Due to the variety in design of vehicles, it is the user's full responsibility to ensure no damage occurs whilst using this clamp. Correct attachment of clamp to a vehicle is therefore critical and is beyond control of the supplier.
- WARNING!** The user must secure the clamp properly.
- DO NOT** use the wheel clamp if any parts are missing or damaged as this may cause failure and/or personal injury.
- WARNING!** Avoid any protrusions beyond the side of the car as these may present a risk of injury to passers-by.
- DO NOT** use the clamp for any purpose other than for which it is designed.
- Ensure that the clamp is removed before using the vehicle or trailer.
- Do make sure all nuts bolts and the locking bar are secure and tight before leaving the vehicle or trailer unattended.

### 2. ASSEMBLY



**NOTE:** It is our policy to continually improve products and as such we reserve the right to alter data, specifications and component parts without prior notice.

**IMPORTANT:** No liability is accepted for incorrect use of product.

**WARRANTY:** Guarantee is 12 months from purchase date, proof of which will be required for any claim.

**INFORMATION:** For a copy of our latest catalogue and promotions call us on 01284 757525 and leave your full name and address, including postcode.