

Thank you for purchasing a Sealey product. Manufactured to a high standard this product will, if used according to these instructions and properly maintained, give you years of trouble free performance.

IMPORTANT: PLEASE READ THESE INSTRUCTIONS CAREFULLY. NOTE THE SAFE OPERATIONAL REQUIREMENTS, WARNINGS & CAUTIONS. USE THE PRODUCT CORRECTLY AND WITH CARE FOR THE PURPOSE FOR WHICH IT IS INTENDED. FAILURE TO DO SO MAY CAUSE DAMAGE OR PERSONAL INJURY AND WILL INVALIDATE THE WARRANTY. PLEASE KEEP INSTRUCTIONS SAFE FOR FUTURE USE.

1. SAFETY INSTRUCTIONS

1.1. ELECTRICAL SAFETY.

WARNING! It is the user's responsibility to read, understand and comply with the following:

You must check all electrical equipment and appliances to ensure they are safe before using. You must inspect power supply leads, plugs and all electrical connections for wear and damage. You must ensure the risk of electric shock is minimised by the installation of appropriate safety devices. An RCCB (Residual Current Circuit Breaker) should be incorporated in the main distribution board. We also recommend that an RCD (Residual Current Device) is used with all electrical products. It is particularly important to use an RCD with portable products that are plugged into an electrical supply not protected by an RCCB. If in doubt consult a qualified electrician. You may obtain a Residual Current Device by contacting your Sealey dealer. **You must** also read and understand the following instructions concerning electrical safety.

- 1.1.1. The **Electricity At Work Act 1989** requires all portable electrical appliances, if used on business premises, to be tested by a qualified electrician, using a Portable Appliance Tester (PAT), at least once a year.
- 1.1.2. The **Health & Safety at Work Act 1974** makes owners of electrical appliances responsible for the safe condition of the appliance and the safety of the appliance operator. **If in any doubt about electrical safety, contact a qualified electrician.**
- 1.1.3. Ensure the insulation on all cables and the product itself is safe before connecting to the mains power supply. See 1.1.1. & 1.1.2. above and use a Portable Appliance Tester (PAT).
- 1.1.4. Ensure that cables are always protected against short circuit and overload.
- 1.1.5. Regularly inspect power supply, leads, plugs for wear and damage and all electrical connections to ensure that none is loose.
- 1.1.6. **Important:** Ensure the voltage marked on the product is the same as the electrical power supply to be used and check that plugs are fitted with the correct capacity fuse. A 13 amp plug may require a fuse smaller than 13 amps for certain products (subject 1.1.10. below), see fuse rating at right.
- 1.1.7. **DO NOT** pull or carry the powered appliance by its power supply lead.
- 1.1.8. **DO NOT** pull power plugs from sockets by the power cable.
- 1.1.9. **DO NOT** use worn or damaged leads, plugs or connections. Immediately replace or have repaired by a qualified electrician. A UK 3 pin plug with ASTA/BS approval is fitted. In case of damage, cut off and fit a new plug according to the following instructions (discard old plug safely).

(UK only - see diagram at right). **Ensure the unit is correctly earthed via a three-pin plug.**

a) **Connect the GREEN/YELLOW earth wire to the earth terminal 'E'.**

b) **Connect the BROWN live wire to live terminal 'L'.**

c) **Connect the BLUE neutral wire to the neutral terminal 'N'.**

After wiring, check there are no bare wires, that all wires have been correctly connected, that cable outer insulation extends beyond the cable restraint and that the restraint is tight.

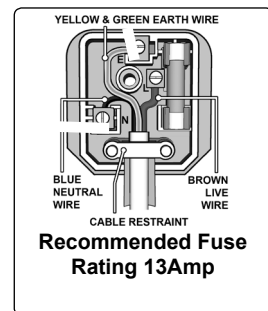
Double insulated products are often fitted with live (BROWN) and neutral (BLUE) wires only. Double insulated products are always marked with this symbol . **To re-wire, connect the brown & blue wires as indicated above. DO NOT connect the brown or blue to the earth terminal.**

- 1.1.10. **Cable extension reels.** When a cable extension reel is used it should be fully unwound before connection. A cable reel with an RCD fitted is recommended since any product which is plugged into the cable reel will be protected. The section of the cores of the cable is important. We suggest 1.5mm² section as a minimum but to be absolutely sure that the capacity of the cable reel is suitable for this product and for others that may be used in the other output sockets, we recommend the use of 2.5mm² section cable.

NOTE: The MS900PS has an electronic speed control, which requires a 'clean' and stable power supply. Normal 230V mains supply is suitable. However, the output from many petrol driven generators may not be suitable for this tool. 'Inverter' type power supplies provide a much more stable output, and should present no problem.

1.2 GENERAL SAFETY

- WARNING!** Ensure Health & Safety, local authority, and general workshop practice regulations are adhered to when using this equipment.
- ✓ Familiarise yourself with the application and limitations of the product, as well as the specific potential hazards peculiar to the polisher.
- WARNING!** Disconnect from the mains power and ensure the disc is at a complete standstill before changing accessories, servicing or performing any maintenance.
- ✓ Maintain the polisher/sander in good condition (use an authorised service agent).
- ✓ Replace or repair damaged parts. *Use genuine parts only. Non-authorised parts may be dangerous and will invalidate the warranty.*
- WARNING!** Keep all guards and holding screws in place, tight and in good working order. Check regularly for damaged parts. A guard or any other part that is damaged must be repaired/replaced before the tool is next used.
- ✓ Locate polisher/sander in a suitable working area, keep area clean and tidy and free from unrelated materials. Ensure there is adequate lighting.
- ✓ Keep the polisher/sander clean for best and safest performance.
- ✓ Before each use check abrasive attachments for condition. If worn or damaged replace immediately.
- ✓ Ensure there are no flammable or combustible materials near the work area.
- WARNING!** Wear approved eye safety protection, ear defenders and, if dust is generated, respiratory protection.
- ✓ Maintain correct balance and footing. Ensure the floor is not slippery and wear non-slip shoes.
- ✓ Remove ill fitting clothing. Remove ties, watches, rings, and other loose jewellery, and contain and/ or tie back long hair.
- ✓ Keep children and unauthorised persons away from the working area.
- ✓ Secure non-stable work piece with a clamp, vice or other adequate holding device.
- ✓ Remove adjusting keys and wrenches from the machine and its vicinity before turning it on.
- ✗ **DO NOT** use equipment for any purpose other than that for which it is designed.
- ✗ **DO NOT** operate the polisher/sander if any parts are damaged or missing as this may cause failure or possible personal injury.



- WARNING! DO NOT** sand any materials containing asbestos.
- X DO NOT** switch the polisher/sander on whilst the head is in contact with the work piece and avoid unintentional starting.
- X DO NOT** get the polisher/sander wet or use in damp or wet locations or areas where there is condensation.
- X DO NOT** allow untrained persons to operate the polisher/sander.
- X DO NOT** operate the polisher/sander when you are tired, under the influence of alcohol, drugs or intoxicating medication.
- X DO NOT** use the polisher/sander where there are flammable liquids, solids or gases such as paint solvents, etc.
- X DO NOT** leave the polisher/sander operating unattended.
- X DO NOT** carry the polisher/sander with your finger on the power switch.
- X DO NOT** pull the cord to remove the plug from the power supply.
- ✓ Use a qualified person to lubricate and maintain the polisher/sander.
- ✓ When not in use unplug from the mains power supply and store in a safe, dry, childproof area.

LEAD PAINT WARNING! Paint once contained lead as a traditional ingredient. Contact with the dust from the removal of such paint is toxic and must therefore be avoided. The following action must be taken before using machine as a sander:

1. User must determine potential hazard relating to age of paint to be removed. (Modern paints do not have lead content).
2. **DANGER!** Keep all persons and pets away from the working area. The following are particularly vulnerable to the effects of lead paint dust: Expectant women, babies and children.
3. We recommend personal protection by using the following safety items:
A) Paint Spray Respirator (Sealey ref. SSP1699) B) PE Coated Hooded Coverall (Sealey ref. SSP266). C) Latex Gloves (Sealey ref. SSP24).
4. Take adequate measures to contain paint dust, flakes and scrapings. Wear safety equipment, as in (3) above and thoroughly clean all areas when task is complete.
5. Ensure the paint waste is disposed of in sealed bags or containers according to local regulations.

2. INTRODUCTION

1300W Professional Polisher/Sander. Features six speed power control producing speeds suitable for polishing and sanding. Speeds vary from 1000rpm to 3000rpm. Alloy bevel gear head with composite motor housing. Supplied with 170mm diameter backing pad, disc spanner and side handle.

3. TECHNICAL SPECIFICATIONS

Model	MS900PS
Nominal Power Rating	1300Watts
Power Input	5.8Amps @ 230V
No Load Speed	1000 - 3000rpm
Noise Power	102.04dB.A
Noise Pressure	91.04dB.A
Vibration (Load)	3.402m/s ²
Uncertainty Value(k)	1.5m/s ²
Weight	3.8kg
Supply	230V-5.8A
Pad Size	170mm
Thread Size	M14 x 2mm

4. CONTENT & ASSEMBLY

4.1. Content

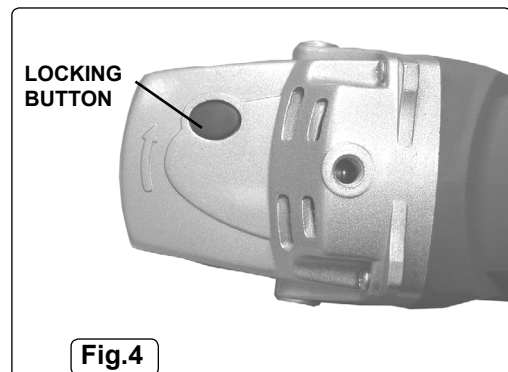
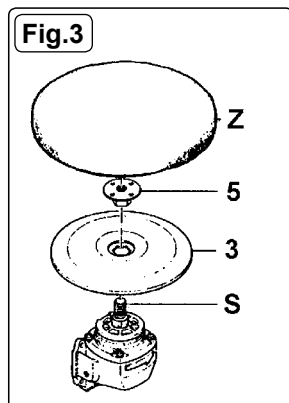
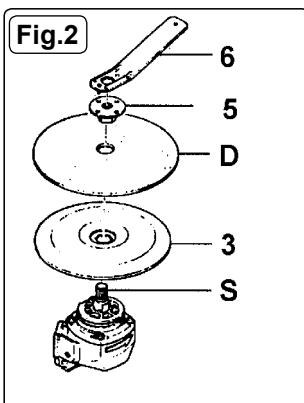
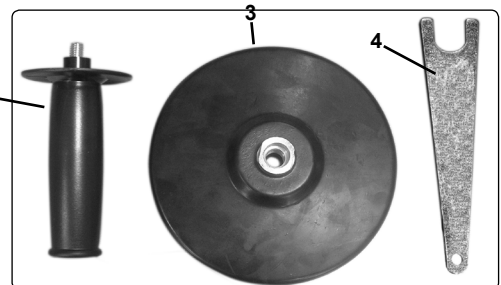
- 4.1.1. Check the contents of the carton. If any item is missing or damaged contact your supplier immediately.

Fig1.1: Polisher Unit, 2: Side Handle, 3: Pad, 4: Spanner.

4.2. Assembly

- WARNING! Ensure unit is not plugged into mains before attempting any assembly.**

- 4.2.1. Attach the side handle (fig.1.2). Note: there is a mounting hole on either side and the top to suit the application and/or operator.
- 4.2.2. To attach the rubber pad:
Thread the rubber pad (fig.2.3) on shaft (S) and tighten using spanner (fig.1.4) by holding shaft steady with locking button (fig.4).
- 4.2.3. To fit a sanding disc: Select the grade of self adhesive sanding disc required (D), peel off the backing and centrally locate the disc onto the rubber pad.
- 4.2.4. To fit a polishing bonnet:
Fit the polishing bonnet (Z) over the secured rubber pad, using the pull cord, tighten the bonnet and tie a bow to secure, tuck the loose ends of the bow neatly under the bonnet.



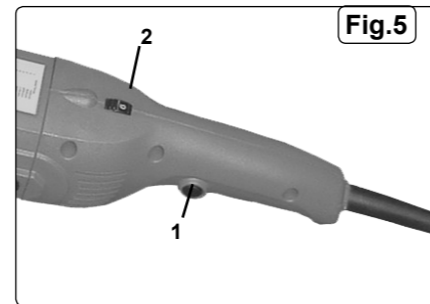
5. OPERATION

- ❑ **WARNING! Ensure you read, understand and apply the safety instructions in Section 1. Ensure the power control switch is NOT locked on before plugging into the mains.**
- 5.1. Hold the polisher firmly with one hand on the handle grip and the other on the side handle. To select the required speed rotate the speed selector switch (fig.5.2) to the required speed 1 to 6.

Speed Settings: Range from 1000rpm - 3000rpm
- 5.1.1. To start the polisher press and hold down the safety lock button (fig.5.1) and squeeze the trigger. When releasing the trigger, the safety lock button will engage, preventing the polisher from being inadvertently started.
- ❑ **WARNING! The high speed settings are intended for sanding. If used for polishing an excessive amount of surface material may be removed.**

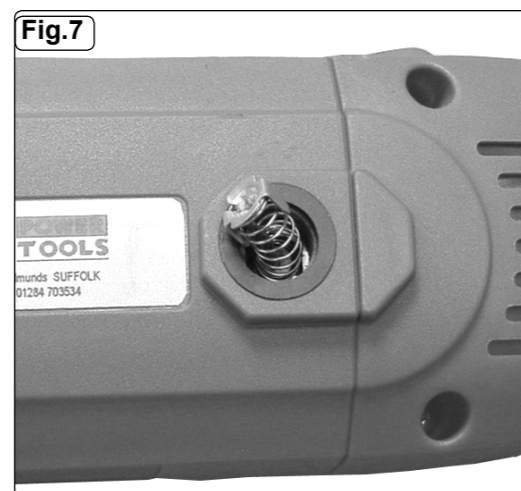
Note: As the rubber support disc is flexible, when sanding it should not be used head on, but at an angle of approximately 10 to 20 degrees.

Contact your Sealey Dealer for details of compound heads and lambs wool bonnets.



6. MAINTENANCE

- ❑ **WARNING! Before attempting any maintenance ensure the unit is unplugged from the mains power supply.**
- 6.1. Keep the machine clean and dry. Do not use abrasives to clean the unit. Ensure all external head screws are tight.
- 6.2. Clean regularly by blowing a jet of compressed air through side vents to ensure motor ventilation is kept clear.
- ❑ **WARNING! Wear approved safety eye protection and, if necessary, respiratory protection.**
- Note. The following maintenance must only be carried out by a technically qualified person or an authorised Sealey service agent.*
- 6.3. Check carbon brushes by removing each side screw (fig.6). Check to see if the brushes are worn or cracked. If so, the brushes must be replaced to avoid sparking and damage to the armature. Always change brushes as a pair. Use only genuine spare parts as these are specifically designed for the machine. Failure to do so may be dangerous and will invalidate your warranty.
- 6.4. After each 500 hours of use replace the gear head grease to prevent gear wear and possible drive failure.



- ❑ **WARNING! The warnings, cautions and instructions discussed in this manual cannot cover all possible conditions and situations that may occur. It must be understood that common sense and caution are factors which cannot be built into this product, but must be applied by the operator.**

WARNING! – Risk of Hand Arm Vibration Injury.

This tool is subject to the vibration testing section of the Machinery Directive 2006/42/EC. When operated in accordance with these instructions and tested in accordance with the standard below, results in the following vibration emission declared in accordance with EN 12096:1997

Tested in accordance with: BS EN ISO 28927-3:2009
Measured vibration emission value (a): 3.402 m/s²
Uncertainty value(k): 1.5 m/s²

These values are suitable for comparison with the vibration emission levels of other tools that have been obtained using the same test method.

This tool may cause hand-arm vibration syndrome if its use is not adequately managed.

A health and safety assessment by the user (or employer) will need to be carried out to determine the suitable duration of use for each tool. Note that the value declared is an average figure from a series of tests according to the applicable standard. The value may differ depending on a number of variables including but not limited to: the user; the condition of the tool; attachments made to the tool i.e. sockets, grinding/cutting discs, sanding discs, blades, handles, leader hoses (always recommended as this helps to reduce vibration).

Health surveillance.

We recommend a programme of health surveillance to detect early symptoms of vibration injury so that management procedures can be modified to help prevent significant handicap.

Personal protective equipment.

We are not aware of any personal protective equipment (PPE) that provides protection against vibration injury by attenuating the vibration emissions of this tool. We recommend a sufficient supply of clothing (including gloves) to enable the operator to remain warm and dry and maintain good blood circulation in fingers etc.

Guidance relating to the management of hand arm vibration can be found on the HSC website www.hse.gov.uk – Hand-arm Vibration at Work.



Environmental Protection.

Recycle unwanted materials instead of disposing of them as waste. All tools, accessories and packaging should be sorted, taken to a recycle centre and disposed of in a manner which is compatible with the environment.



WEEE Regulations.

Dispose of this product at the end of its working life in compliance with the EU Directive on Waste Electrical and Electronic Equipment. When the product is no longer required, it must be disposed of in an environmentally protective way. Contact your local solid waste authority for recycling information.

Parts support is available for this product. To obtain a parts listing and/or diagram, please log on to: www.sealey.co.uk, email: sales@sealey.co.uk or phone: 01284 757500