

Thank you for purchasing a Sealey Product. Manufactured to a high standard this product will, if used according to these instructions and properly maintained, give you years of trouble free performance.



IMPORTANT: PLEASE READ THESE INSTRUCTIONS CAREFULLY. NOTE THE SAFE OPERATIONAL REQUIREMENTS, WARNINGS AND CAUTIONS. USE THIS PRODUCT CORRECTLY AND WITH CARE FOR THE PURPOSE FOR WHICH IT IS INTENDED. FAILURE TO DO SO MAY CAUSE DAMAGE AND/OR PERSONAL INJURY, AND WILL INVALIDATE THE WARRANTY.

1. SAFETY

- DO NOT** locate this tidy in such a position as to create the risk of injury from contact with the head or any other part of the body.
- DO NOT** overload this tidy; it should only be used for the designed purpose.
- DO NOT** locate in a position where items could fall from the tidy owing to accidental contact.
- ✓ Ensure that the tidy is firmly fixed to the wall using either the masonry fixings supplied or alternative hollow wall fixings (not supplied).
- ✓ Ensure that, when installed, it can be accessed without over-reaching or over-balancing.

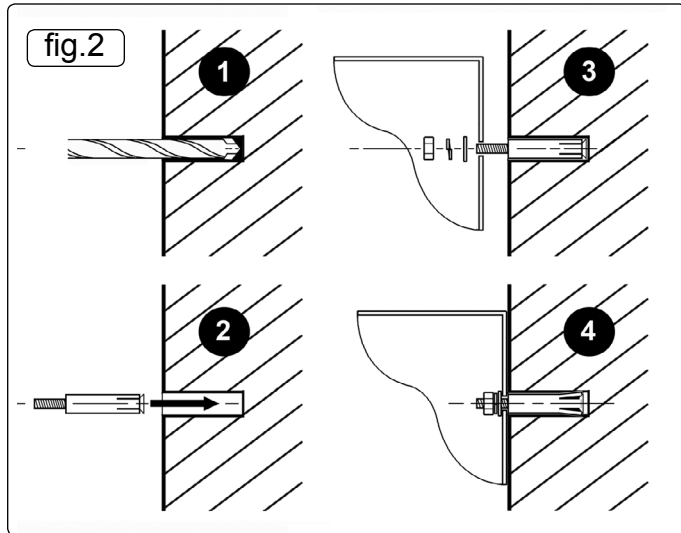
2. INTRODUCTION

Powder coated steel construction, for added corrosion resistance. Wall mounting unit which has been designed specifically to tidy and organise the storage of gloves, clothing and helmet.



3. INSTALLATION & ASSEMBLY

- 3.1. Hold the back plate in the desired position and mark the wall through the three holes arrowed in fig.1.
- 3.2. Remove the back plate and drill three 10mm holes 40mm deep. (Mark the masonry drill with tape 40mm from the tip as a guide. See fig 2.1).
- 3.3. Remove the washer, spring washer and nut and insert the wall fixings into the drilled holes. (fig. 2.2)
- 3.4. Place the back plate over the protruding threads and place the washers and spring washers over. (fig. 2.3)
- 3.5. Using a 10mm wrench, tighten the nuts onto the threads as in fig. 2.4. (It may be necessary to hold the end of the thread above the nut with pliers until sufficient friction is achieved to hold the thread still).
- 3.6. If fixing to a hollow wall (e.g: dry lined construction) use proprietary hollow wall fixings of a design suitable to support the weight of the loaded tidy.
- 3.7. Push the large helmet shelf into the upper fixing bosses until the drilled holes are in line with the holes in the bosses (fig.3). Insert the hex-headed self-tapping screws with a 10mm wrench. Repeat with the smaller glove shelf in the lower position. The glove shelf incorporates a hanging rail for airing and storing clothes.



Environmental Protection.

Recycle unwanted materials instead of disposing of them as waste. All tools, accessories and packaging should be sorted, taken to a recycle centre and disposed of in a manner which is compatible with the environment.

NOTE: It is our policy to continually improve products and as such we reserve the right to alter data, specifications and component parts without prior notice.

IMPORTANT: No liability is accepted for incorrect use of this product.

WARRANTY: Guarantee is 12 months from purchase date, proof of which will be required for any claim.

INFORMATION: For a copy of our latest catalogue and promotions call us on 01284 757525 and leave your full name and address, including postcode.



Sole UK Distributor, Sealey Group,
Kempson Way, Suffolk Business Park,
Bury St. Edmunds, Suffolk,
IP32 7AR

01284 757500

www.sealey.co.uk

01284 703534

sales@sealey.co.uk