



INSTRUCTIONS FOR:
FOUR ARM CENTRE STAND
MODEL NO: **MPS4**

Thank you for purchasing a Sealey product. Manufactured to a high standard, this product will, if used according to these instructions, and properly maintained, give you years of trouble free performance.



IMPORTANT: PLEASE READ THESE INSTRUCTIONS CAREFULLY. NOTE THE SAFE OPERATIONAL REQUIREMENTS, WARNINGS & CAUTIONS. USE THE PRODUCT CORRECTLY AND WITH CARE FOR THE PURPOSE FOR WHICH IT IS INTENDED. FAILURE TO DO SO MAY CAUSE DAMAGE AND/OR PERSONAL INJURY AND WILL INVALIDATE THE WARRANTY. KEEP THESE INSTRUCTIONS SAFE FOR FUTURE USE.

1. SAFETY

- X **DO NOT** sit on the motorcycle on the stand.
- X **DO NOT** start the motorcycle on the stand.
- X **DO NOT** mount the stand on tarmac/adam, as the surface may be unstable.
- X **DO NOT** use the stand for a purpose it is not designed to perform.
- X **DO NOT** use the stand when you are tired or under the influence of alcohol, drugs or intoxicating medication.
- X **DO NOT** allow untrained persons to operate the stand.
- X **DO NOT** make any modifications to the stand.
- X **DO NOT** operate the stand if parts are missing or damaged.
- ✓ Maintain the stand in a good clean condition for the best and safest performance.
- ✓ Locate the stand and motorcycle in a suitable area. Keep area clean, tidy and free from unrelated materials and ensure that there is adequate lighting. Also ensure that the floor/ground is level and strong enough (preferably concrete) to take the weight of the stand and the motorcycle.
- ✓ Maintain correct balance and footing whilst positioning the motorcycle on the stand, do not over reach.
- ✓ Ensure that the floor is not slippery, wear non-slip footwear.
- ✓ Keep children and unauthorised persons away from the work area.
- ✓ Always support the motorcycle to prevent falling sideways (stabiliser).
- ✓ Before removing a motorcycle from the stand, ensure that there are no obstructions or persons around the motorcycle.
- ✓ When not in use, store in a safe, dry, childproof location.

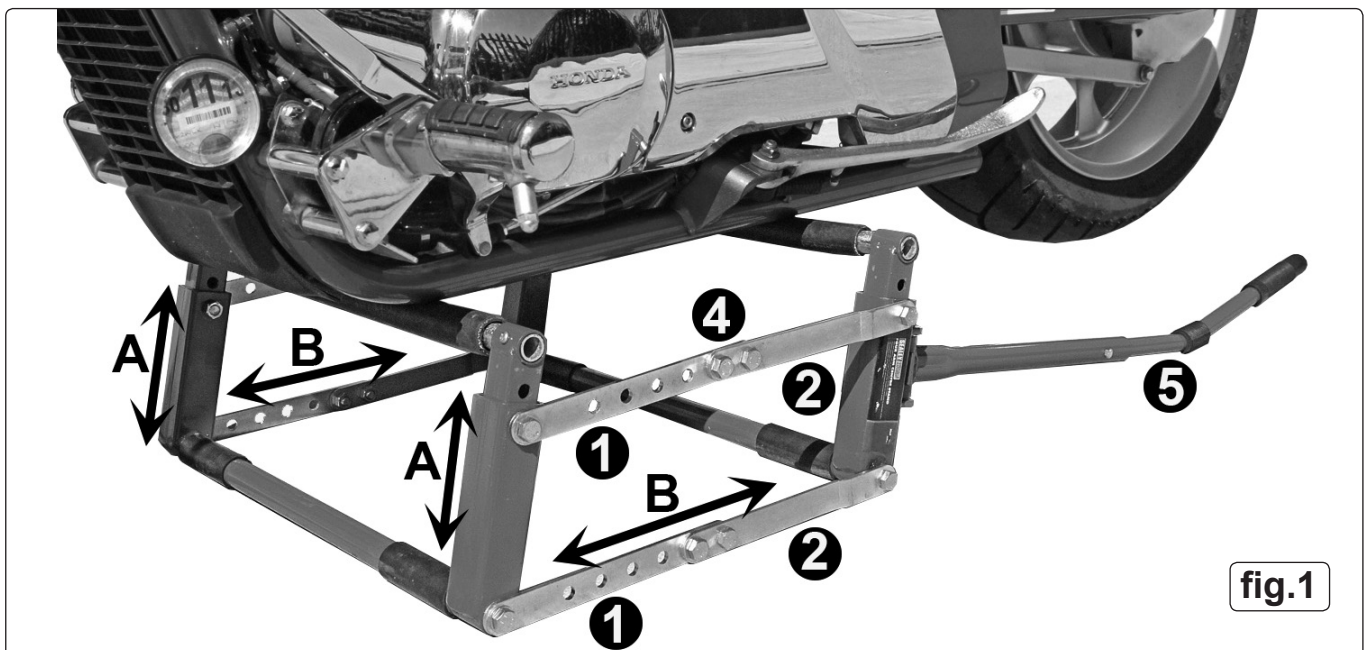
2. INTRODUCTION

Lifts and stabilises hard and soft tail cruiser style bikes quickly and safely. Features adjustable length and height with soft PVC sheaths for protection to underside of bike. Lifts complete bike off the ground allowing easy removal of wheels or for long-term storage.

3. SPECIFICATION

Model No:**MPS4**
Minimum/Maximum Height:200/270mm
Minimum/Maximum Length:300/425mm
Maximum Lift Capacity:360kg (Total Vehicle Weight)

4. ASSEMBLY



Refer to fig.1.

- 4.1. Visually inspect and measure the motorcycle to be lifted, to work out the assembly dimensions (A and B) of the centre stand. Check that there is nothing underneath that will be damaged when it is lifted up.
- 4.2. Assemble the four sets of links (1 and 2). Note: link (2) is cranked to the centre and fitted to the handle end frame. Bolt together after deciding how long they need to be, (refer to dimension B), using 2x 17mm bolts and nyloc nuts (4).
- 4.3. Bolt links to the frame, decide on height required, (dimension A), using longer 17mm bolts, bushes and nyloc nuts.
- 4.4. Assemble handle (5), ensure it is cranked towards the ground.

5. OPERATION

- 5.1. Position the motorcycle alongside the centre stand and slide it underneath.
- 5.2. Whilst holding the handlebars push down on the centre stand handle to bring the stand upright, see fig.2. Push the handle down to the floor to bring the stand to its over centre position, see fig.3.



6. MAINTENANCE

- 6.1. Before each use, check all parts. If any part of the stand is damaged or defective, remove it from service and take the necessary action to remedy the problem.
- 6.2. Keep the stand clean and wipe off any oil or grease.
- 6.3. When the stand is not in use, store it in a safe, dry, childproof location.

Environmental Protection



Recycle unwanted materials instead of disposing of them as waste. All tools, accessories and packaging should be sorted, taken to a recycling centre and disposed of in a manner which is compatible with the environment. When the product becomes completely unserviceable and requires disposal, drain off any fluids (if applicable) into approved containers and dispose of the product and the fluids according to local regulations.

NOTE: It is our policy to continually improve products and as such we reserve the right to alter data, specifications and component parts without prior notice.

IMPORTANT: No liability is accepted for incorrect use of this product.

WARRANTY: Guarantee is 12 months from purchase date, proof of which will be required for any claim.

INFORMATION: For a copy of our latest catalogue and promotions call us on 01284 757525 and leave your full name and address, including postcode.



Sole UK Distributor, Sealey Group,
Kempson Way, Suffolk Business Park,
Bury St. Edmunds, Suffolk,
IP32 7AR



01284 757500



01284 703534



www.sealey.co.uk



sales@sealey.co.uk