

Thank you for purchasing a Sealey product. Manufactured to a high standard this product will, if used according to these instructions and properly maintained, give you years of trouble free performance.



IMPORTANT: PLEASE READ THESE INSTRUCTIONS CAREFULLY. NOTE THE SAFE OPERATIONAL REQUIREMENTS, WARNINGS, AND CAUTIONS. USE THIS PRODUCT CORRECTLY, AND WITH CARE FOR THE PURPOSE FOR WHICH IT IS INTENDED. FAILURE TO DO SO MAY CAUSE DAMAGE AND/OR PERSONAL INJURY AND WILL INVALIDATE THE WARRANTY.

1. SAFETY INSTRUCTIONS

1.1. ELECTRICAL SAFETY

WARNING! Electrical installation of the light must only be carried out by a qualified electrician. Make sure that power supply cable is correctly connected to earth. It is the user's responsibility to read, understand and comply with the following: You must check all electrical equipment and appliances before use, to ensure that they are safe. You must inspect power supply leads, plugs and all electrical connections for wear and damage. You must ensure the risk of electric shock is minimised by the installation of appropriate safety devices. An RCCB (Residual Current Circuit Breaker) should be incorporated in the main distribution board. We also recommend that an RCD (Residual Current Device) is used with all electrical products. It is particularly important to use an RCD together with portable products that are plugged into an electrical supply not protected by an RCCB. If in doubt consult a qualified electrician. You may obtain a Residual Current Device by contacting your Sealey dealer. **You must** also read and understand the following instructions concerning electrical safety.

1.1.1 The **Electricity At Work Act 1989** requires all portable electrical appliances, if used on business premises, to be tested by a qualified electrician, using a Portable Appliance Tester (PAT), at least once a year.

1.1.2 The **Health & Safety at Work Act 1974** makes owners of electrical appliances responsible for the safe condition of the appliance and the safety of the appliance operator. **If in any doubt about electrical safety, contact a qualified electrician.**

1.1.3 Ensure the insulation on all cables and the product itself is safe before connecting to the power supply. See 1.1.1 & 1.1.2 above and use a Portable Appliance Tester (PAT).

1.1.4 Ensure that cables are always protected against short circuit and overload.

1.1.5 Regularly inspect power supply, leads, plugs and all electrical connections for wear and damage, and power connections to ensure that none is loose.

1.1.6 **Important:** Ensure the voltage marked on the product is the same as the electrical power supply to be used.

1.1.7 **DO NOT** pull or carry the appliance by the power supply or output cables.

1.1.8 **DO NOT** pull power plug from socket by the power cable.

1.1.9 **DO NOT** use this product with an extension cable.

1.1.10 **DO NOT** use worn or damage leads, plugs or connections. Immediately replace or have repaired by a qualified electrician.

1.1.11 **Supply: 110Vac 1ph protected by a 25 amp delayed fuse or equivalent breaker.**

1.1.12 Fit a plug according to the following instructions (see diagram at right).

Ensure the unit is correctly earthed via a three-pin 110V 25A plug (not supplied).

a) Connect the **GREEN/YELLOW** earth wire to the earth terminal.

b) Connect the **BROWN** live wire to the live terminal 'L'.

c) Connect the **BLUE** neutral wire to the neutral terminal, unmarked.

d) After wiring, check that there are no bare wires, that all wires have been correctly connected, that the cable outer insulation extends past the cable restraint and that the restraint is tight.

WARNING! Reminder, the electrical installation of the light must only be carried out by a qualified electrician. Make sure that power supply cable is correctly earthed.

WARNING! Be very cautious if using a generator to power the light. The generator must be self-regulating and stable with regard to voltage, wave form and frequency. The output must be greater than the power consumption of the light. If any of these requirements is not met the electronics within the light may be affected.

Note: The use of an unregulated generator may be dangerous and will invalidate the warranty on the light.

1.2 GENERAL SAFETY

✓ Keep the light, cables, holder and clamps in good working order and condition and take immediate action to repair or replace damaged parts.

✓ Use recommended parts and accessories only. *Unapproved parts may be dangerous and will invalidate the warranty.*

WARNING! Disconnect lamp from mains power before changing tubes or performing any maintenance.

✓ Replace or repair damaged parts. *Use genuine Sealey parts only. Unauthorised parts may be dangerous and will invalidate the warranty.*

✓ Maintain the lamp in good condition.

x **DO NOT** use the lamp if damaged.

x **DO NOT** use lamp close to paint fumes, solvents or other flammable liquids or flammable waste, such as wipes or cleaning rags.

x **DO NOT** fit a fluorescent tube other than the recommended replacement. (SEALEY PART NO. ML36110T.FB / ML58110T.FB)

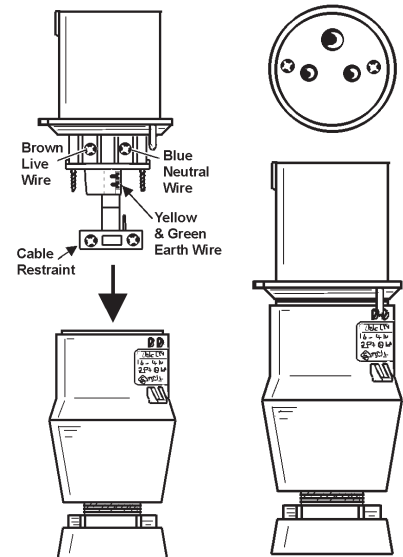
✓ When not in use switch off the lamp and remove plug from power supply.

WARNING! Ensure the lantern is correctly charged before initial use.

x **DO NOT** allow children to use the light.

x **DO NOT** use if the battery or the light casing is damaged.

✓ When not in use store the light in a safe, dry, childproof location.



2. INTRODUCTION

Fluorescent tubes mounted in impact resistant heads. The light units are supported on a telescopic stand with locking screw. Tripod feet can be easily disassembled, allowing compact storage when not in use. Both models are fitted with a twin socket outlet and are supplied with a 5mtr lead.

2. SPECIFICATION

Model No: ML36110T Model No: ML58110T
Power: 2 x 18W Power: 1 x 58W
Supply: 110V – 0.3A Supply: 110V – 0.5A
Min/Max. Height: . . . 1785/2330mm Min/Max. Height: . . . 2225/2770mm

REPLACEMENT TUBES: SEALEY PART NO. **ML36110T.FB / ML58110T.FB**)

3. OPERATION

3.1 OPERATING THE LIGHT

3.1.1 To operate the light simply plug the mains socket into a 110V transformer and then plug the transformer into the mains. The light will illuminate automatically.

3.2 OUTLETS

3.2.1 The light unit is fitted with two outlet sockets, these are suitable for any power tool/appliance compatible with the 110V input.

4. MAINTENANCE

WARNING! Before replacing the fluorescent tubes or performing any maintenance the unit must be unplugged from the supply. Allow the tubes to cool before touching them.

WARNING! Do not turn the unit on with the transparent cover removed or with the tubes removed.

4.1 CHANGING THE FLUORESCENT TUBES

4.1.1 Replacement tubes must be the same type and rating as the original tubes supplied.

Use Sealey replacement tubes (PART NO. **ML36110T.FB / ML58110T.FB**)

4.1.2 Remove the transparent cover by releasing the securing clips by first pulling the rear of the clip forward, then unlatching the clip from the front ridge (as shown in fig 1), now carefully lift the cover off.

4.1.3 Each tube can be removed by rotating it in either direction until one of the connector pins appears at the top of the tube holder slot. Lift out the old tube and replace it with a new one. Push the new tube all the way into the tube holder slots at both ends and then rotate the tube a quarter of a turn in either direction.

4.1.4 Ensure that the tubes are correctly installed and seated before turning on.

4.2 CLEANING

4.2.1 Clean the unit with a damp cloth and a mild soapy solution. Do not use solvents or abrasive cleaners.

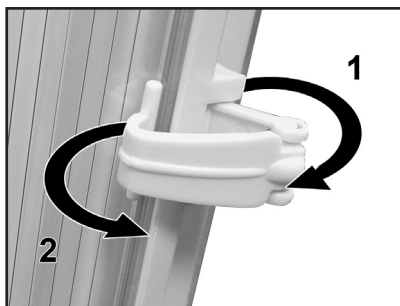
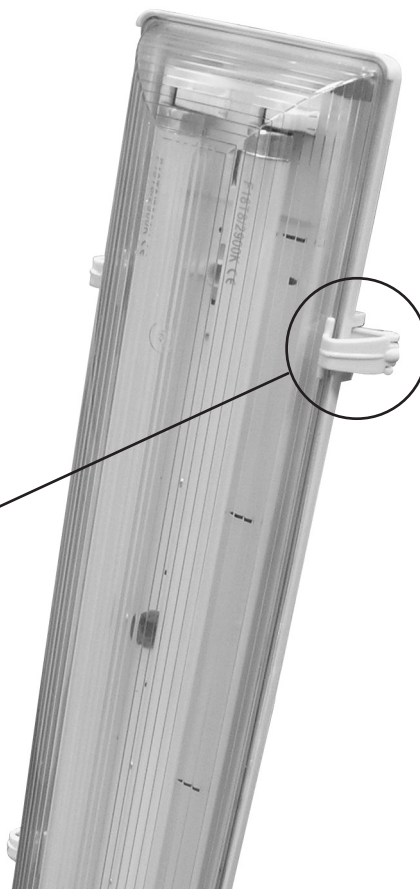


fig 1

Parts support is available for these products. To obtain a parts listing and/or diagram, please log on to www.sealey.co.uk, email sales@sealey.co.uk or phone 01284 757500.

NOTE: It is our policy to continually improve products and as such we reserve the right to alter data, specifications and component parts without prior notice.

IMPORTANT: No liability is accepted for incorrect use of this product.

WARRANTY: Guarantee is 12 months from purchase date, proof of which will be required for any claim.

INFORMATION: For a copy of our latest catalogue and promotions call us on 01284 757525 and leave your full name and address, including postcode.



Sole UK Distributor, Sealey Group,
Kempson Way, Suffolk Business Park,
Bury St. Edmunds, Suffolk,
IP32 7AR

01284 757500

www.sealey.co.uk

01284 703534

sales@sealey.co.uk