

Thank you for purchasing a Sealey Product. Manufactured to a high standard this product will, if used according to these instructions and properly maintained, give you years of trouble free performance.



IMPORTANT: PLEASE READ THESE INSTRUCTIONS CAREFULLY. NOTE THE SAFE OPERATIONAL REQUIREMENTS, WARNINGS AND CAUTIONS. USE THIS PRODUCT CORRECTLY AND WITH CARE FOR THE PURPOSE FOR WHICH IT IS INTENDED. FAILURE TO DO SO MAY CAUSE DAMAGE AND/OR PERSONAL INJURY AND WILL INVALIDATE THE WARRANTY. PLEASE KEEP INSTRUCTIONS SAFE FOR FUTURE USE.

1. SAFETY

1.1. ELECTRICAL SAFETY.

- **WARNING!** It is the user's responsibility to read, understand and comply as follows. **You must** check all electrical equipment and appliances to ensure they are safe before using. **You must** inspect power supply leads, plugs and all electrical connections for wear and damage. **You must** ensure the risk of electric shock is minimised by the installation of appropriate safety devices. An RCCB (Residual Current Circuit Breaker) should be incorporated in the main distribution board. We also recommend that an RCD (Residual Current Device) is used with all electrical products. It is particularly important to use an RCD together with portable products that are plugged into an electrical supply not protected by an RCCB. If in doubt consult a qualified electrician. You may obtain a Residual Current Device by contacting your Sealey dealer. **You must** ace operator. If in doubt about electrical safety, contact a qualified electrician.

1.1.3.

Ensure the insulation on all cables and the product itself is safe before connecting to the mains power supply. See 1.1.1. & 1.1.2. above and use a Portable Appliance Tester (PAT).

1.1.4.

Ensure that cables are always protected against short circuit and overload.

1.1.5.

Regularly inspect power supply, leads and plugs for wear and damage and inspect connections to ensure that none is loose.

1.1.6.

Important: Ensure the voltage marked on the product is the same as the electrical power supply to be used, and check that plugs are fitted with the correct capacity fuse. A 13 amp plug may require a fuse smaller than 13 amps for certain products (subject to 1.1.10. below) see fuse rating at right.

1.1.7.

DO NOT pull or carry the powered appliance by its power supply lead.

1.1.8.

DO NOT pull power plugs from sockets by the power cable.

1.1.9.

DO NOT use worn or damaged leads, plugs or connections.

Immediately replace or have repaired by a qualified electrician.

A U.K. 3 pin plug with ASTA/BS approval is fitted. In case of damage, cut off and fit a new plug according to the following instructions (discard old plug safely). (UK only - see diagram at right).

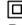
Ensure the unit is correctly earthed via a three-pin plug.

a) Connect the green/yellow earth wire to the earth terminal 'E'.

b) Connect the brown live wire to live terminal 'L'.

c) Connect the blue neutral wire to the neutral terminal 'N'.

d) After wiring, check that there are no bare wires, that all wires have been correctly connected, that the cable outer insulation extends beyond the cable restraint and that the restraint is tight.

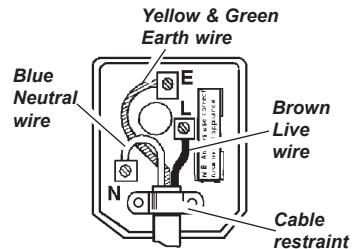
Double insulated products are often fitted with live (BROWN) and neutral (BLUE) wires only. Double insulated products are always marked with this symbol . To re-wire, connect the brown and blue wires as indicated above. DO NOT connect the brown or blue to the earth terminal.

1.1.10.

Cable extension reels. When a cable extension reel is used it should be fully unwound before connection. A cable reel with an RCD fitted is recommended since any product which is plugged into the cable reel will be protected.

1.2. GENERAL SAFETY

- **WARNING!** Disconnect lamp from mains power before changing bulb or performing any maintenance.
- ✓ Replace or repair damaged parts. Use genuine Sealey parts only. Non-authorized parts may be dangerous and will invalidate the warranty.
- ✓ Maintain the lamp in good condition.
- x **DO NOT** use the lamp if damaged.
- x **DO NOT** use lamp close to paint fumes, solvents or other flammable liquids or flammable waste, such as wipes or cleaning rags.
- x **DO NOT** fit a bulb larger than 100 watts.
- ✓ When not in use switch off the lamp and remove plug from power supply.
- ✓ Remember that the wire guard will be hot during **and after** use.
- ✓ Use gripper on secure, non-flammable supports only.



FUSE RATING
THIS PRODUCT MUST BE
FITTED WITH A
5 AMP FUSE

2. USE

2.1. Gripper

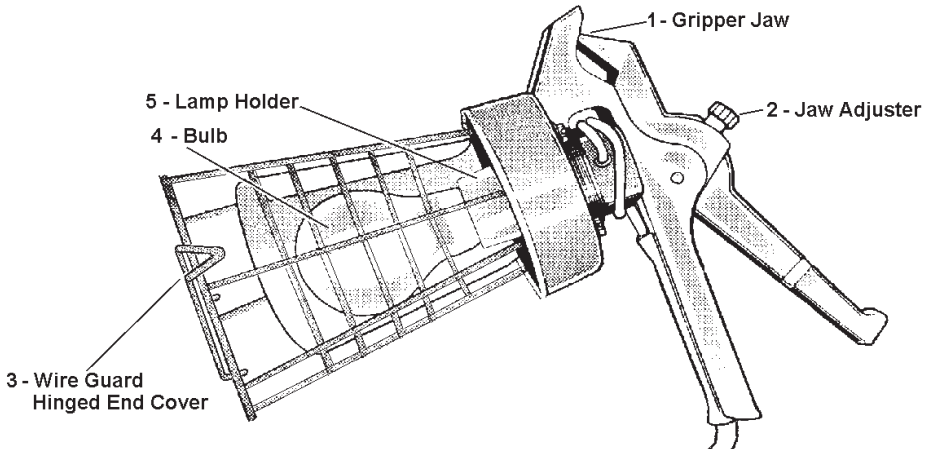
2.1.1. To extend gripper (1) to maximum, unscrew jaw adjuster (2) until clear of slot and then pull back jaw. Retighten adjuster.

2.2. Bulb (not supplied)

2.2.1. To gain access to bulb raise end cover (3) of wire guard.

WARNING! The wire guard and bulb will be very hot during and after use.

2.2.2. Bayonet fitting bulb (4), 230V, 100 watt max. - to fit or remove press down into lamp holder (5) and rotate (clockwise to fit, anticlockwise to remove).



NOTE: It is our policy to continually improve products and as such we reserve the right to alter data, specifications and component parts without prior notice.

IMPORTANT: No liability is accepted for incorrect use of this product.

WARRANTY: Guarantee is 12 months from purchase date, proof of which will be required for any claim.

INFORMATION: For a copy of our latest catalogue and promotions call us on 01284 757525 and leave your full name and address, including postcode.



Sole UK Distributor, Sealey Group,
Kempson Way, Suffolk Business Park,
Bury St. Edmunds, Suffolk,
IP32 7AR

01284 757500

01284 703534



www.sealey.co.uk



sales@sealey.co.uk