

Thank you for purchasing a Sealey product. Manufactured to a high standard this product will, if used according to these instructions and properly maintained, give you years of trouble free performance.



IMPORTANT: PLEASE READ THESE INSTRUCTIONS CAREFULLY. NOTE THE SAFE OPERATIONAL REQUIREMENTS, WARNINGS & CAUTIONS. USE THIS PRODUCT CORRECTLY AND WITH CARE FOR THE PURPOSE FOR WHICH IT IS INTENDED. FAILURE TO DO SO MAY CAUSE DAMAGE AND/OR PERSONAL INJURY AND WILL INVALIDATE THE WARRANTY. PLEASE KEEP INSTRUCTIONS SAFE FOR FUTURE USE.

1. SAFETY INSTRUCTIONS

1.1 GENERAL SAFETY

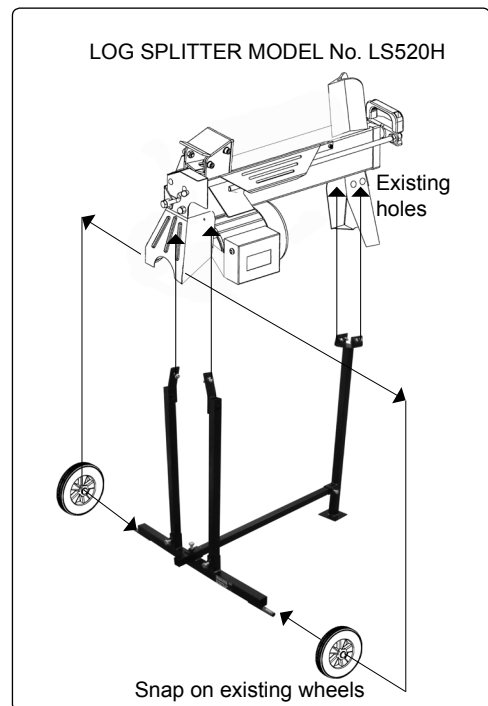
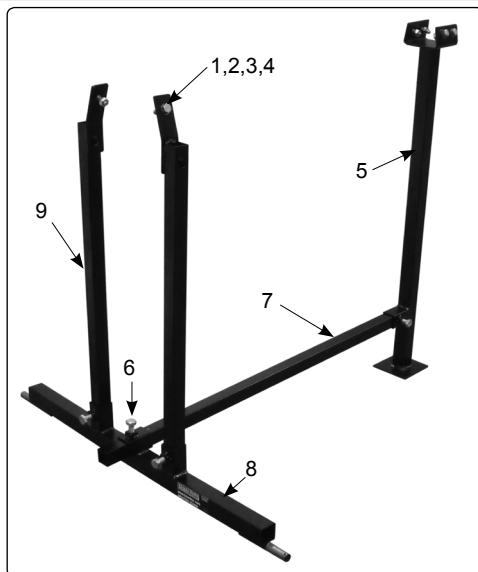
- ✓ Familiarise yourself with this product, application and limitations.
- ✓ Maintain the stand in good condition.
- ✓ Replace or repair damaged parts. *Use recommended parts only. Non authorised parts may be dangerous and will invalidate the warranty.*
- ✓ Keep the stand clean for best and safest performance.
- ✓ Ensure the wood splitter is correctly secured on the stand before commencing work activity.
- ✓ Maintain correct balance and footing. Ensure the floor is not slippery and wear non-slip steel toe-capped shoes/boots.
- ✓ Keep children and unauthorised persons away from the working area.
- ✗ **DO NOT** use the stand for any purpose other than fitting log splitter Model No. LS520H.
- ✗ **DO NOT** make any modifications to the stand.
- ✗ **DO NOT** use the stand if any parts are missing.
- ✗ **DO NOT** exceed the rated capacity of the wood splitter.
- ✗ **DO NOT** use as a platform.
- ✓ When not in use, stand or store in a safe, dry location.
- **WARNING! The warnings, cautions and instructions in this manual cannot cover all possible conditions and situations that may occur. It must be understood by the operator that common sense and caution are factors which cannot be built into this product, but must be applied by the operator.**

2. INTRODUCTION

Powder coated steel frame for added corrosion resistance. Specifically designed for attaching Model No. LS520H Horizontal Log Splitter (5tonne 520mm Capacity). Labour and work time are kept to a minimum by creating a suitable working height. Attaching the wheels from Model No. LS520H enables easy and efficient movement of the stand.

3. CONTENTS/ASSEMBLY

ITEM	PART No	DESCRIPTION	QTY
1	LS520HST.01	HEX SCREW M8X25	6
2	LS520HST.02	HEX NUT M8	6
3	LS520HST.03	PLAIN WASHER Ø8	6
4	LS520HST.04	SPRING WASHER Ø8	6
5	LS520HST.05	FRONT UPRIGHT FABRICATION	1
6	LS520HST.06	HEX SCREW M10X25	4
7	LS520HST.07	CROSS BAR	1
8	LS520HST.08	AXLE BAR FABRICATION	1
9	LS520HST.09	REAR UPRIGHT FABRICATION	2



NOTE: It is our policy to continually improve products and as such we reserve the right to alter data, specifications and component parts without prior notice.

IMPORTANT: No liability is accepted for incorrect use of this product.

WARRANTY: Guarantee is 12 months from purchase date, proof of which will be required for any claim.

INFORMATION: For a copy of our latest catalogue and promotions call us on 01284 757525 and leave your full name and address, including postcode.