

Thank you for purchasing a Sealey product. Manufactured to a high standard this product will, if used according to these instructions and properly maintained, give you years of trouble free performance.



IMPORTANT: PLEASE READ THESE INSTRUCTIONS CAREFULLY. NOTE THE SAFE OPERATIONAL REQUIREMENTS, WARNINGS, AND CAUTIONS. USE THIS PRODUCT CORRECTLY, AND WITH CARE FOR THE PURPOSE FOR WHICH IT IS INTENDED. FAILURE TO DO SO MAY CAUSE DAMAGE AND/OR PERSONAL INJURY AND WILL INVALIDATE THE WARRANTY.

1. SAFETY INSTRUCTIONS

- ✓ Maintain the log rack in good condition. Replace or repair damaged parts. Use recommended parts only. Unauthorised parts may be dangerous and will invalidate the warranty.
- ✓ Keep the log rack clean.
- ✓ Locate the log rack in a suitable working area. Keep area clean and tidy and ensure there is adequate lighting.
- ✓ Ensure the log is correctly held and balanced before commencing work.
- ✓ Maintain correct balance and footing. Ensure the floor/ground is not slippery and wear non-slip shoes and appropriate protective clothing for the tool you are using.
- x **DO NOT** use the log rack for any purpose other than that for which it is designed.
- x **DO NOT** operate the log rack if any parts are missing as this may cause failure and/or personal injury.
- x **DO NOT** use the log rack if you are tired or under the influence of drugs, alcohol or medication.

WARNING! The warnings, cautions and instructions in this manual cannot cover all possible conditions and situations that may occur. It must be understood by the operator that common sense and caution are factors which cannot be built into this product, but must be applied by the operator.

NOTE: This appliance is not intended for use by persons (including children) with reduced physical, sensory or mental capabilities or lack of experience and knowledge, unless they have been given supervision or instruction concerning the use of the appliance by a person responsible for their safety. Children should be supervised to ensure that they do not play with the appliance.

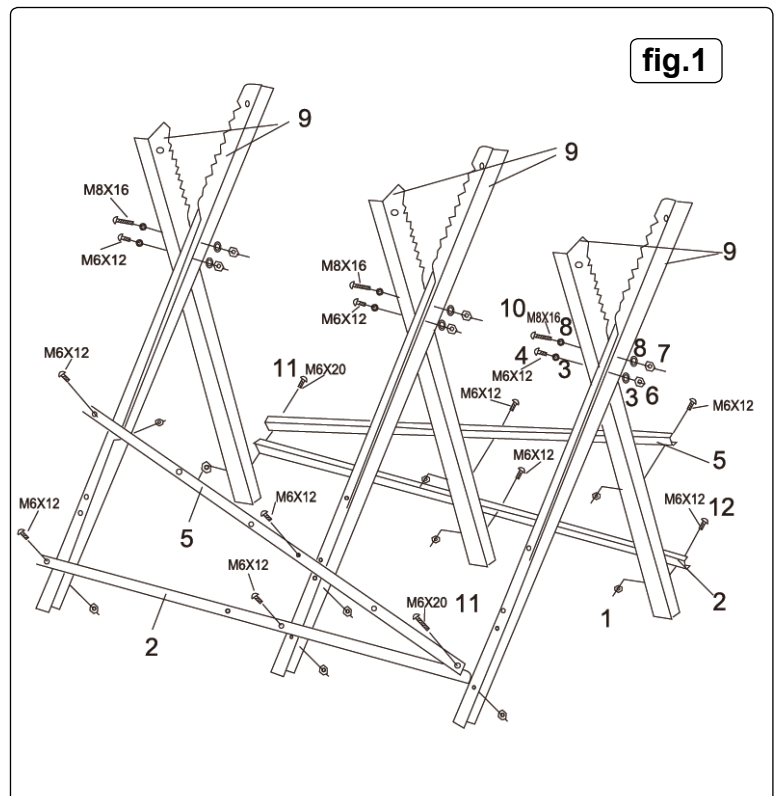
2. INTRODUCTION & SPECIFICATION

Folding log rack with innovative serrated edges to safely hold single log firmly in place whilst cutting. Crossed bars for increased stability. Easily folded flat for storage. Strong and sturdy so light enough to be easily moved, made of corrosion resistant metal.

Model No: **LC800ST**
 Unfolded Size: **820x860x780mm**
 Folded Size: **820x70x1000mm**
 Maximum Log Ø: **250mm**
 Load Capacity: **150kg**

3. CONTENTS

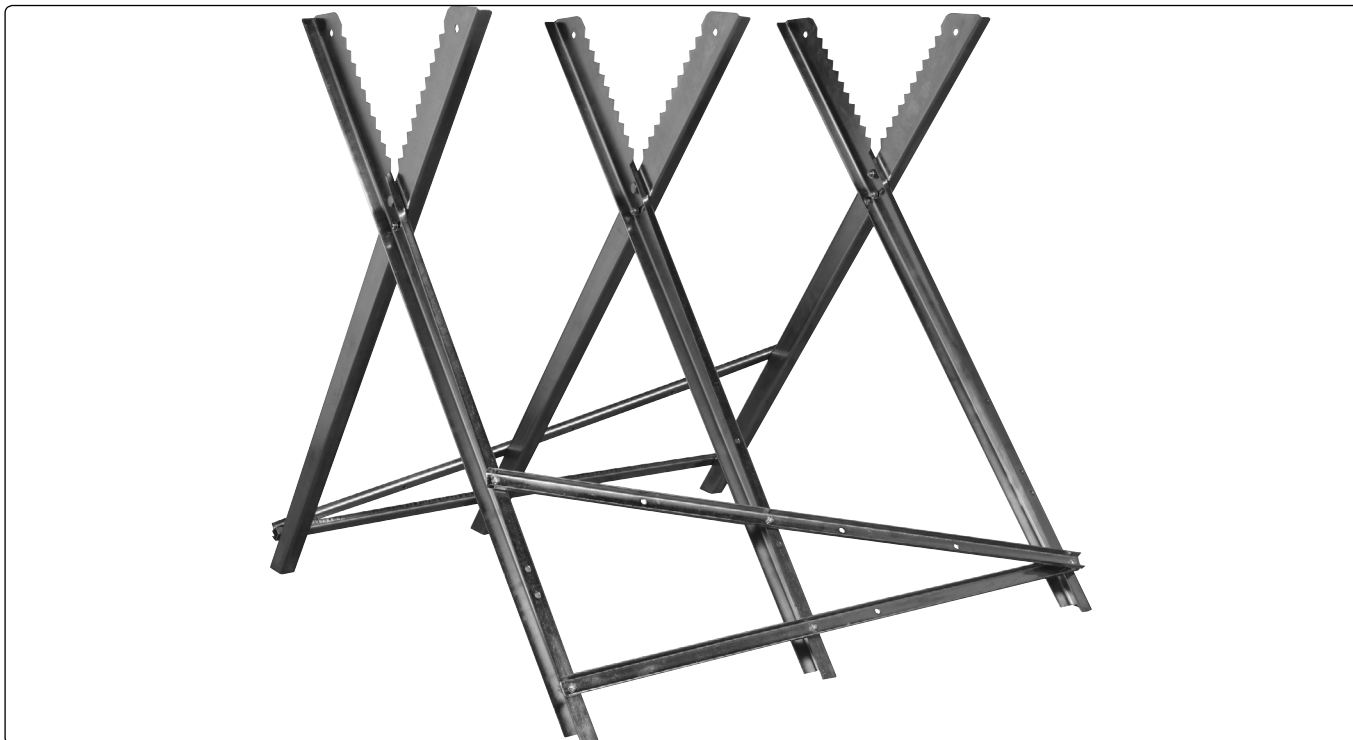
PART DESCRIPTION	QTY
1) M6 nut	10
2) Cross strut	2
3) Ø6mm washer	6
4) Screw M6x12	3
5) Diagonal struts	2
6) Locknut M6	3
7) Locknut M8	3
8) Ø8mm washer	6
9) Feet (serrated tops)	6
10) Screw M8x16	3
11) Screw M6x35	2
12) Crosshead screw M6x12	8



4. ASSEMBLY

(Refer to fig.1.)

- 4.1 Unpack the product and check contents to ensure no parts are damaged. Should there be any damaged or missing parts contact your supplier immediately.
 - 4.1.1 First screw the feet together. To do so arrange the feet (9) in pairs, screw each pair together with a M8x16 screw (10), 8mm washer (8) and M8 lock nuts (7), so that the feet can still be folded.
 - 4.1.2 Then insert the M6x12 screws (4) through the two slots in each pair of legs and secure with 6mm washers (3) and M6 lock nuts (6). Check that the feet can still be folded.
 - 4.1.3 Join together the pre-assembled feet with the cross struts (2) and the longer diagonal struts (5) using M6x12 cross head screws (12) and longer M6x35 screws (11) to go through the feet, cross strut and the diagonal strut (5). Secure with M6 nuts (1).



5. OPERATION

- 5.1 Completely unfold the log rack before use.
 - 5.2 Put on approved safety goggles and heavy duty gloves before use.
 - 5.3 Ensure the log rack is on a flat surface with no debris, and that all six feet have level contact with the ground.
 - 5.4 Inspect before each use, ensure all nuts and screws are tightened before each use.
 - 5.5 After use store folded, in a safe, childproof location.
- x **DO NOT** use if damaged in any way.



Environmental Protection.

Recycle unwanted materials instead of disposing of them as waste. All tools, accessories and packaging should be sorted, taken to a recycle centre and disposed of in a manner which is compatible with the environment.

NOTE: It is our policy to continually improve products and as such we reserve the right to alter data, specifications and component parts without prior notice.

IMPORTANT: No liability is accepted for incorrect use of this product.

WARRANTY: Guarantee is 12 months from purchase date, proof of which will be required for any claim.

INFORMATION: For a copy of our latest catalogue and promotions call us on 01284 757525 and leave your full name and address, including postcode.



Sole UK Distributor, Sealey Group,
Kempson Way, Suffolk Business Park,
Bury St. Edmunds, Suffolk,
IP32 7AR



01284 757500



www.sealey.co.uk



01284 703534



sales@sealey.co.uk