

Thank you for purchasing a Sealey product. Manufactured to a high standard this product will, if used according to these instructions and properly maintained, give you years of trouble free performance.



IMPORTANT: PLEASE READ THESE INSTRUCTIONS CAREFULLY. NOTE THE SAFE OPERATIONAL REQUIREMENTS, WARNINGS & CAUTIONS. USE THE PRODUCT CORRECTLY AND WITH CARE FOR THE PURPOSE FOR WHICH IT IS INTENDED. FAILURE TO DO SO MAY CAUSE DAMAGE OR PERSONAL INJURY, AND WILL INVALIDATE THE WARRANTY. PLEASE KEEP INSTRUCTIONS SAFE FOR FUTURE USE.

1. SAFETY INSTRUCTIONS

- WARNING!** Ensure all Health and Safety, local authority, and general workshop practice regulations and recommendations are strictly adhered to when lifting or moving heavy loads. The lifting or movement of heavy loads may be dangerous if not undertaken correctly.
- Familiarise yourself with the application and limitations, as well as the specific potential hazards peculiar to the truck.
- Maintain the truck in good condition (use an authorised service agent).
- Replace or repair damaged parts. *Use genuine parts only. Unauthorised parts may be dangerous and will invalidate the warranty.*
- Use a qualified person to lubricate and maintain the truck. **DO NOT** use brake fluid to top up hydraulic unit. Use Sealey hydraulic oil only.
- Keep the truck clean for best and safest performance. **DO NOT** use on Tarmac when fully laden as the wheels may sink in.
- Locate truck in an adequate working area for its function, keep area clean and tidy and free from unrelated materials.
- WARNING!** Use truck on flat, level, solid ground, preferably concrete. Ensure the floor over which the truck will be transported is swept clean and that there are no obstacles in the way.
- Keep the work area clean, uncluttered and ensure there is adequate lighting.
- Keep children and non essential persons away from the loading/unloading and transporting area.
- Keep hands and body clear of the edge and underside of the platform when operating the truck.
- Maintain correct balance and footing. Ensure the floor is not slippery and wear non-slip shoes.
- WARNING!** Ensure load is placed level and centrally on truck platform and if necessary strap load in place before attempting to lift, lower, or transport. When raised, check that the platform/load will not foul on the handle and/or your hand when lowering the load.
- WARNING!** Use the truck with diligence. **DO NOT** allow truck to knock into anything. Even when unladen, the truck is heavy and if misused could cause serious damage and/or personal injury. Continually monitor transportation, lifting and lowering operations.
- Take care to ensure you can view the way ahead when moving the truck. Take special care when approaching blind corners.
- Before lifting check that there are no overhead obstructions.
- Engage the wheel locks before attempting to raise or lower the platform.
- DANGER! If a heavy load tips or leans STOP WHAT YOU ARE DOING. MOVE QUICKLY TO A SAFE DISTANCE. DO NOT TRY TO HOLD OR STEADY a heavy load. Failure to follow this instruction may cause serious personal injury.**
- Ensure the truck is fully lowered before attempting to transport a load.
- Before lowering the platform, ensure there are no obstructions underneath the platform and that all persons are standing clear of the truck.
- The lowering speed is a fixed rate regardless of the load weight. Stop lowering by releasing the valve control lever on the handle.
- WARNING!** **DO NOT** exceed the rated capacity of the truck.
- DO NOT** use the truck if a part is missing or damaged.
- DO NOT** load the truck so that it is top heavy. Ensure loads are evenly placed on the truck platform.
- DO NOT** ride on the truck or allow any person to be transported on the truck.
- DO NOT** use the truck for any purpose other than lifting, lowering and transporting loads.
- DO NOT** allow truck to free wheel in transit. Always propel and control the truck by using the handle.
- DO NOT** use the truck on sloping surfaces.
- DO NOT** operate the truck when you are tired or under the influence of alcohol, drugs or intoxicating medication.
- DO NOT** allow children to operate the truck.
- DO NOT** adjust or tamper with the hydraulic safety valve.
- DO NOT** place any part of your body within or under the truck platform when raised.
- When not in use, fully lower the platform and store in a safe, dry, childproof area.

2. INTRODUCTION

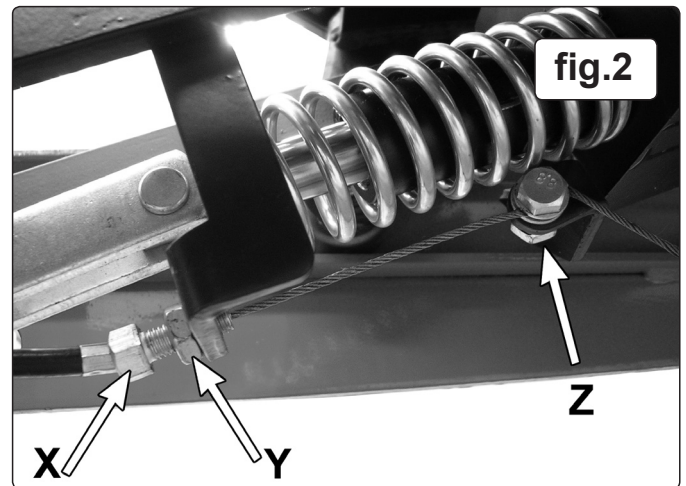
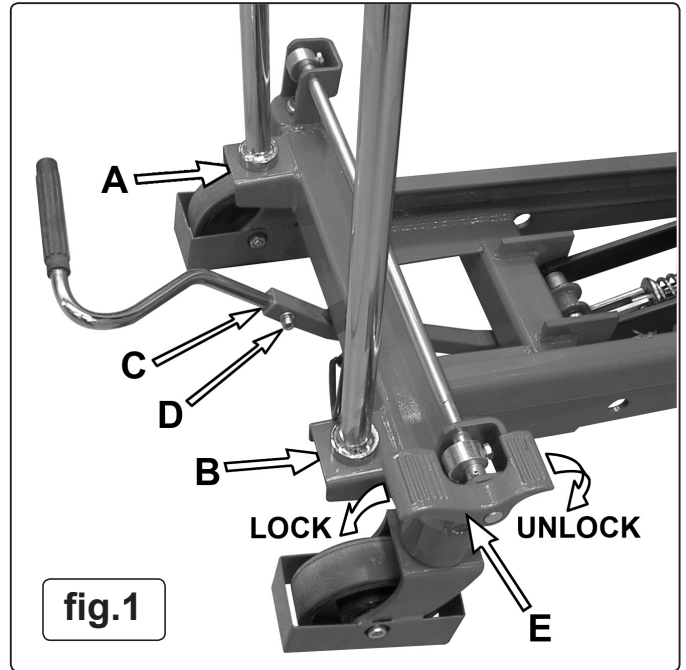
Heavy-duty construction featuring two fixed wheels and two guarded, braked castors. One-piece hydraulic unit controlled by large, rear mounted, foot pedal. Safety release mechanism positioned on handlebar for smooth, controlled descent. Suitable for numerous garage, industrial and warehouse handling applications.

3. SPECIFICATION

Model	HPT1000
Capacity (kg)	1000kg
Min platform height (mm)	430mm
Max platform height (mm)	1020mm
Platform length	1015mm
Wheel diameter	150mm

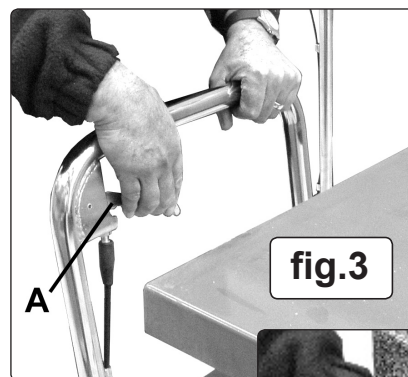
4. ASSEMBLY

- 4.1 A minimum of two people will be required to lift the truck out of its packaging. Alternatively, cut and fold down flat one end of the box and wheel the truck out.
- 4.2 **Fitting the handle.**
The ends of the chrome handle have flanges which sit down onto flat platforms at either side of the truck. The handle is retained by two large socket cap bolts inserted from underneath. See fig.1A & B. You will require a 10mm Allen Key to tighten the bolts. Place a split washer followed by a plain washer over each bolt before inserting and tightening.
- 4.3 **Fitting the foot pedal.** Slide the end of the foot pedal into the socket situated centrally between the two handle uprights. (See fig.1C). The footpedal retaining bolt (See fig.1D) screws directly into the material of the foot pedal stem. Place a split washer over the pedal retaining bolt followed by a plain washer, before inserting the bolt. Ensure the fixing is tight enough to hold the pedal firmly in place but do not over tighten.
- 4.4 **Connecting the control cable.** Remove the cable guide bush (fig.2X) from the free end of the cable and feed the end of the cable and cable sheath through the cable guide tubes welded to the handle and the underside of the frame. Once the cable has been fed through the guides slide the bush back over the cable and onto the sheath. Feed the cable through the hole in the bush retaining bracket and then through the hole in the clamping lever (fig.2Z). Now screw the guide bush into the bracket with a 12mm spanner (See Fig.2X). Retain the bush by tightening the locking nut. See fig.2Y. Pull the end of the cable so that there is no play in the movement of the lever mounted on the handle. Hold the clamping bolt (fig.2Z) steady with a ring spanner and tighten the nut on the other side of the lever with an open spanner.



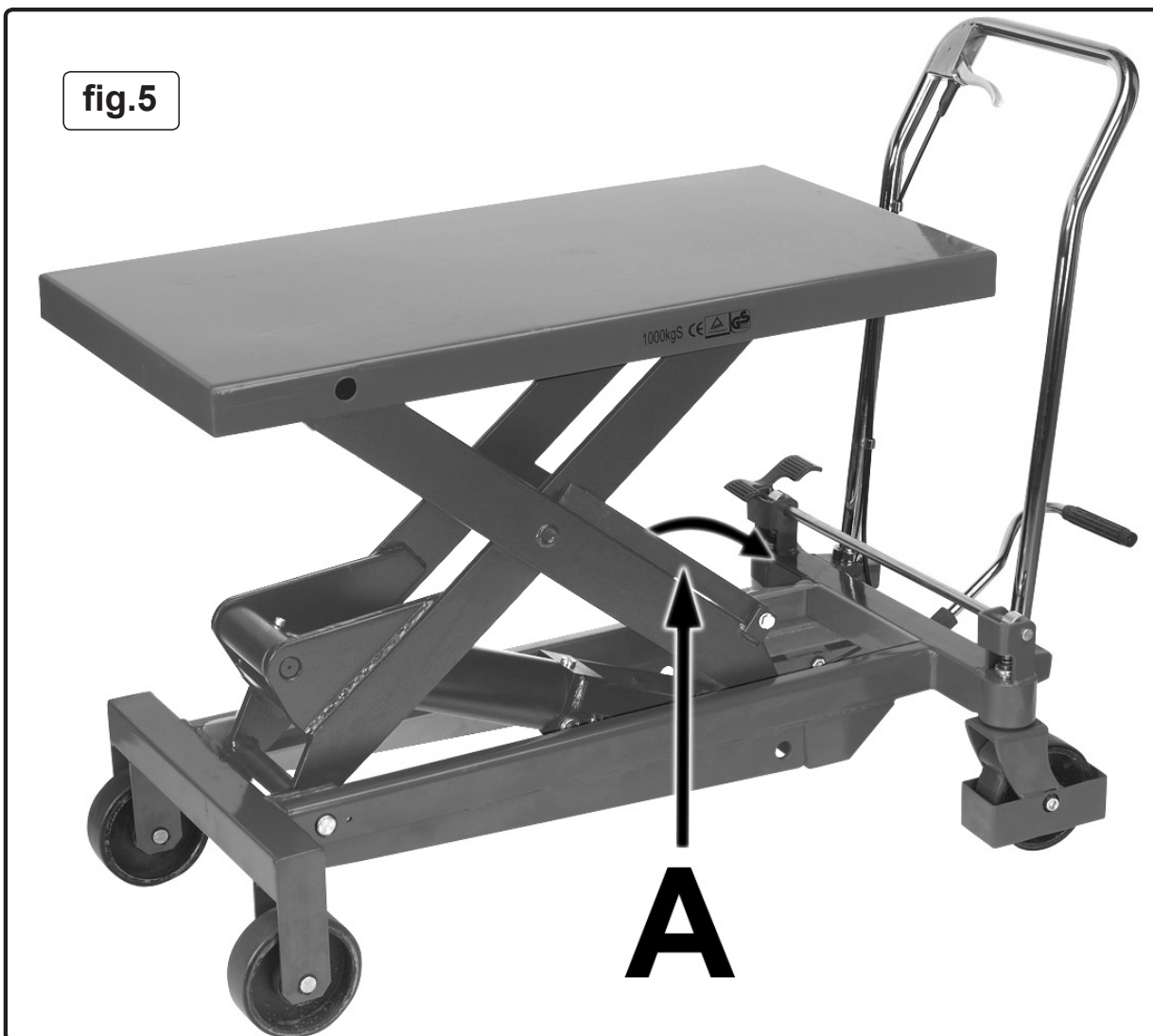
5. USING THE TRUCK

- 5.1. **Before first use.**
- 5.1.1. Before using the truck for the first time purge any air from the hydraulic circuit by pumping the foot pedal 10 to 15 times whilst holding the release lever (fig.3A) in.
- 5.1.2. To test the truck, release the lever which will close the hydraulic valve. Pump the foot pedal and raise the truck platform to its highest position and then pull the valve lever (fig.3A) to lower the platform, (the platform may be slow to descend immediately from its highest point). If the platform fails to descend adjust the cable length to remove excess play in the release lever movement.
- 5.2. **Using the truck**
- WARNING!** Ensure you read, understand and follow the safety instructions. Ensure all Health and Safety, local authority, and general workshop practice regulations and recommendations are strictly adhered to when lifting or moving heavy loads. The lifting or movement of heavy loads may be dangerous if not undertaken correctly.
- 5.2.1. Move the truck to the required loading area and raise the platform to loading height and engage safety bars (fig.5A)
- 5.2.2. Lock the truck wheels by operating the foot pedal as indicated in fig.1E.
- 5.2.3. Load the truck ensuring that the load is evenly distributed on the platform.
- 5.2.4. Remove safety bars (fig.5A) and Lower the truck platform to the lowest position before unlocking the wheels.
- WARNING!** Ensure the load will not foul on anything, and is clear of your hands and the handle when lowering (fig.4).
- 5.2.5. Unlock the wheels and transport the load to the required destination.
- 5.2.6. To unload, lock the wheels and if required raise platform and engage the safety bars, then unload the truck.
Note: With or without a load, always transport the truck with platform in its lowest position. When not in use, store the truck with the platform in the lowest position.



6. MAINTENANCE

- 6.1. When the truck is not in use, the platform must be in the lowest position to minimise ram and piston corrosion.
 - 6.2. Keep the truck clean and wipe off any oil or grease. Lubricate all moving parts with acid free oil.
DO NOT use truck if believed to have been subjected to abnormal load or shock load. Inspect and if necessary take appropriate action.
 - 6.3. Periodically check the pump piston and piston rod for signs of corrosion. Clean exposed areas with a clean oiled cloth.
IMPORTANT: Only fully qualified personnel should attempt maintenance or repair of the truck hydraulic system. The oil cylinder is a sealed unit and must not be accessed. For service contact your authorised dealer.
- ☐ **WARNING! Only a good quality hydraulic oil, such as SEALEY HYDRAULIC JACK OIL must be used, DO NOT use brake fluid. IMPORTANT: NO RESPONSIBILITY IS ACCEPTED FOR INCORRECT USE OF THE TRUCK.**
- Hydraulic products are only repaired by local service agents. We have service/repair agents in all parts of the UK.
DO NOT RETURN TRUCK TO US. Please telephone 01284 757500 to obtain address and 'phone number of your local agent. If truck is under guarantee please contact your dealer.
- De-commissioning the truck:** Should the truck become completely unserviceable and require disposal, draw off the oil into an approved container and dispose of the truck and the oil according to local regulations.



NOTE: It is our policy to continually improve products and as such we reserve the right to alter data, specifications and component parts without prior notice.

IMPORTANT: No liability is accepted for incorrect use of this product.

WARRANTY: Guarantee is 12 months from purchase date, proof of which will be required for any claim.

INFORMATION: For a copy of our latest catalogue and promotions call us on 01284 757525 and leave your full name and address, including postcode.



Sole UK Distributor, Sealey Group,
Kempson Way, Suffolk Business Park,
Bury St. Edmunds, Suffolk,
IP32 7AR

☎ 01284 757500

☎ 01284 703534



www.sealey.co.uk



sales@sealey.co.uk