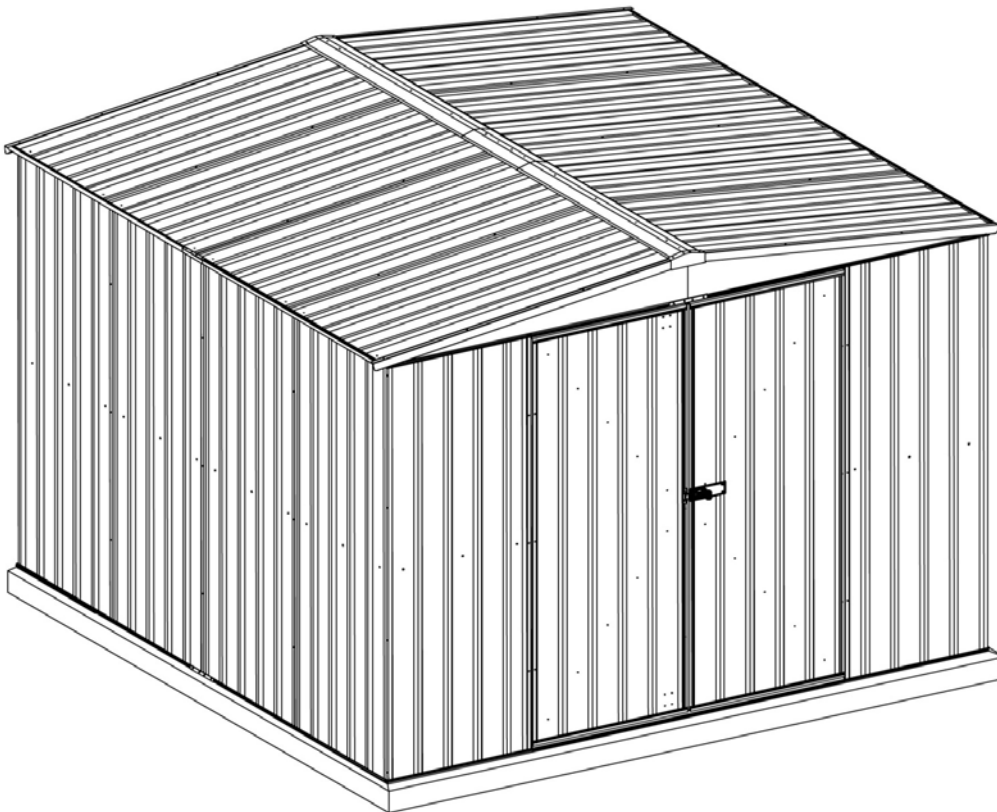


Thank you for purchasing a Sealey product. Manufactured to a high standard this product will, if used according to these instructions and properly maintained, give you years of trouble free performance.

! IMPORTANT: PLEASE READ THESE INSTRUCTIONS CAREFULLY. NOTE THE SAFE OPERATIONAL REQUIREMENTS, WARNINGS AND CAUTIONS. USE THE PRODUCT CORRECTLY AND WITH CARE FOR THE PURPOSE FOR WHICH IT IS INTENDED. FAILURE TO DO SO MAY CAUSE DAMAGE AND/OR PERSONAL INJURY AND WILL INVALIDATE THE WARRANTY. PLEASE KEEP INSTRUCTIONS SAFE FOR FUTURE USE.

1. SAFETY INSTRUCTIONS

- WARNING!** Ensure Health & Safety, local authority, and general workshop practice regulations are adhered to when building this shed.
 - ✓ Keep the work area clean, uncluttered and ensure there is adequate lighting.
 - ✓ Keep children and unauthorised persons away from the working area.
 - ✗ **DO NOT** use the shed for any purpose other than that for which it is designed.
 - ✓ Use appropriate safety clothing including eye protection.
- Note!** The assembly of this product will require assistance.



2. INTRODUCTION

Before commencing the assembly, we recommend that you read the instructions thoroughly. Your new shed comes with all the holes pre-drilled to make for fast easy assembly. We recommend that you assemble the shed using a trestle table or sawhorses and planks. This will ensure that you are working off the ground and make it easier for you. Assembly is a two person job and should not be attempted in windy conditions.

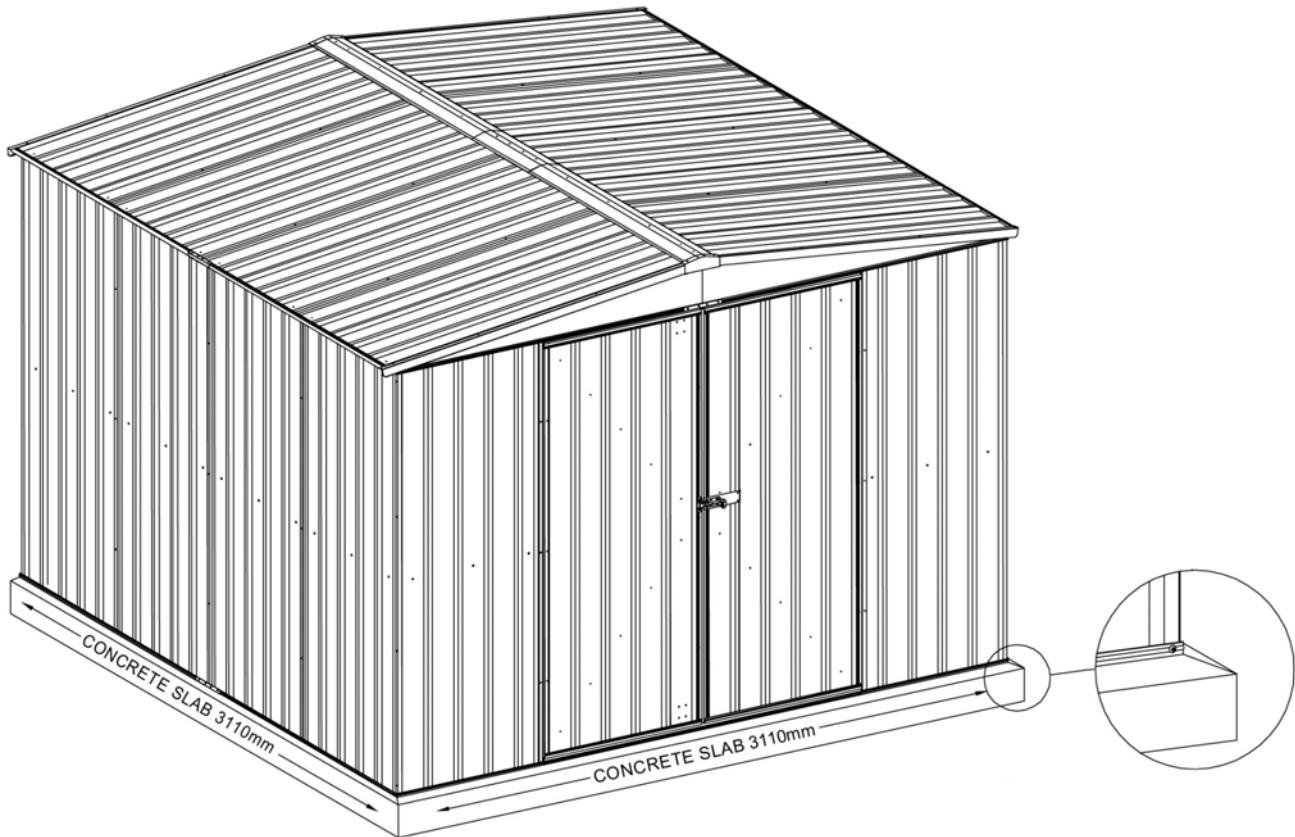
Sequence of operations.

- 2.1 Check all parts against the component list.
- 2.2 Assemble the rear wall panels.
- 2.3 Assemble the side wall panels.
- 2.4 Assemble the roof wall panels.
- 2.5 Assemble the front wall panels.
- 2.6 Assemble front door.
- 2.7 Fit the panels together.

3. CONCRETE SLAB

Concrete Slab: It is recommended that your new shed is secured to a concrete slab as shown below.

Please ensure that your site is level. It is recommended that your slab is 100mm thick and you use a plastic membrane and a suitable reinforcing mesh. We recommend that you make your slab 100mm bigger than the base dimensions of your shed. This will allow for a 50mm edge around your shed. We recommend that you slope the 50mm edges downward by 10mm so that rain water will drain away from your shed.



4. TOOLS REQUIRED

Electric Drill



Cordless Drill



Tape Measure



Phillips Screw Driver



8mm Masonary Bit



Pop Rivet Gun



Rubber Mallet



Step Ladder (2)



Adjustable spanner



3mm Masonary bit



Saw Horse/Trestle



Pencil



Gloves

























Protective Eyewear



















5. CONTENTS

Check contents: Lay out all components with the part numbers facing upwards and check off against the parts lists on the next four pages. In the unlikely event of a missing component please contact your local Sealey dealer.





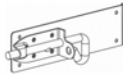



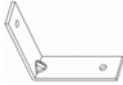


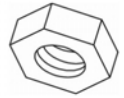





Picture	Description	Component	Location	Part No.	QTY	Check
	Sheet	sheet 1900x770	rear wall side wall	9S	6	
	Sheet	sheet 1900x770	rear wall side wall	9M	6	
	Sheet	sheet 1535x770-left	roof	12L	2	
	Sheet	sheet 1535x770-right	roof	12R	2	
	Sheet	sheet 1535x770-middle	roof	12M	4	
	Sheet	sheet 1900x717-left	front	13L	1	
	Sheet	sheet 1900x717-right	front	13R	1	
	Door	sheet 1845x770	door	5R	1	
	Door	sheet 1845x770	door	5L	1	
	Channel	channel 1494	side wall roof	27A	4	
	Channel	channel 1494	side wall roof	27B	4	

	Channel	channel 1494	rear wall	27C	1	
	Channel	channel 1494	rear wall	27D	1	
	Channel	channel 1494	roof	27E	2	
	Channel	channel 1494	roof	27F	2	
	Channel	channel 1494	rear wall	27H	1	
	Channel	channel 1494	rear wall	27I	1	
	Channel	channel 1494	side wall	27J	2	
	Channel	channel 1494	side wall	27K	2	
	Channel	channel 1494	front	27L	1	
	Channel	channel 1494	front	27M	1	
	Channel	channel 1494	front	27N	1	
	Channel	channel 1494	front	27P	1	
	Channel	channel 1549	front	28	1	
	Channel	channel 674	front	33R	1	

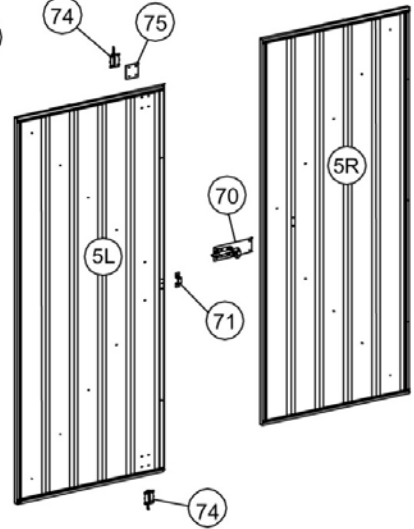
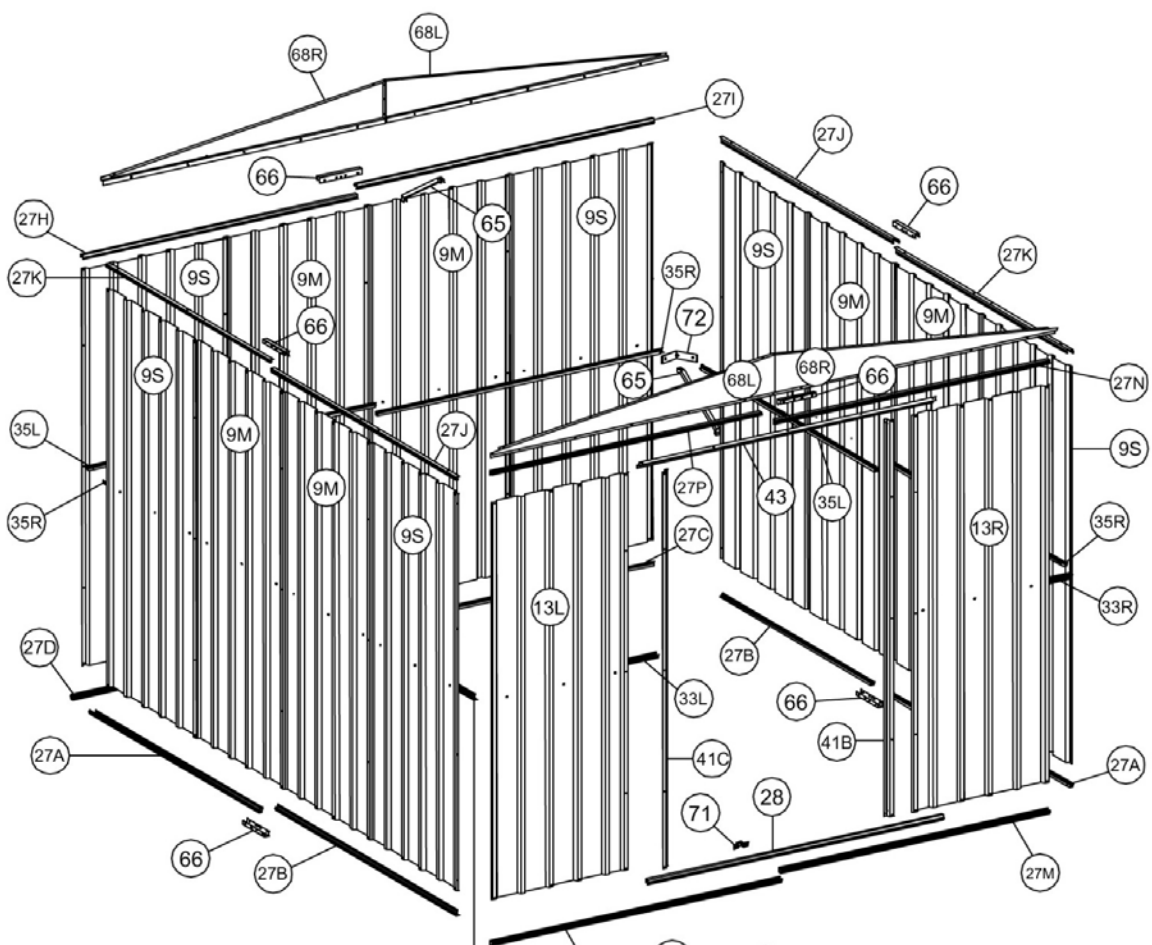
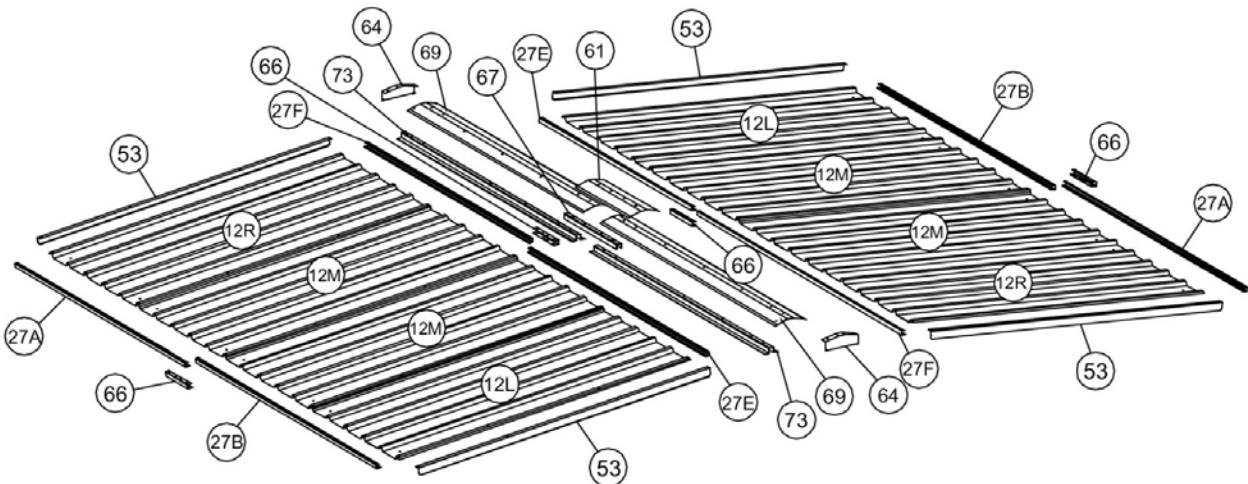
	Channel	channel 674	front	33L	1	
	Channel	channel 1468	side wall rear wall	35R	3	
	Channel	channel 1468	side wall rear wall	35L	3	
	Jamb	jamb 1898	front	41B	1	
	Jamb	jamb 1898	front	41C	1	
	Jamb	jamb 1549	front	43	1	
	Lip	lip 1538	roof	53	4	
	Gable cap	gable cap 1495	roof	69	2	
	Connector	gable cap connector 450	roof	61	1	
	Ridge beam	ridge beam 1495 zinc	roof	73	2	
	Gable R/H	gable 1470 off white	roof	68R	2	
	Gable L/H	gable 1470 off white	roof	68L	2	
	Logo cap	logo cap	roof	64	2	
	Roof brace	roof brace zinc	roof	65	2	

	Ridge beam connector	ridge beam connector 450mm zinc	roof	67	1	
	Channel connector	channel connector 188mm		66	11	

FITTINGS PACK

Picture	Component	QTY	Picture	Component	QTY
	Self tapping screws(10mm)	410		Self tapping screws(16mm)	22
	φ 4x10mm Rivet	20		φ 3x10mm Rivet	6
	Pad bolt Part No (70)	1		Keeper. Part No (71)	2
	65x65mm barrel bolt plate Part No (75)	1		60mm barrel bolt Part No (74)	2
	Mid wall brace bracket Part No (72)	4		Base bracket	11
	5/16"x19mm Hexagonal bolt	11		5/16" Hexagonal nut	11
	Mid wall channel connector	3		Self tapper safety cover	40
	Channel safety cover (L type)	1		Channel safety cover (R type)	1
	Sleeve anchor bolt	11			

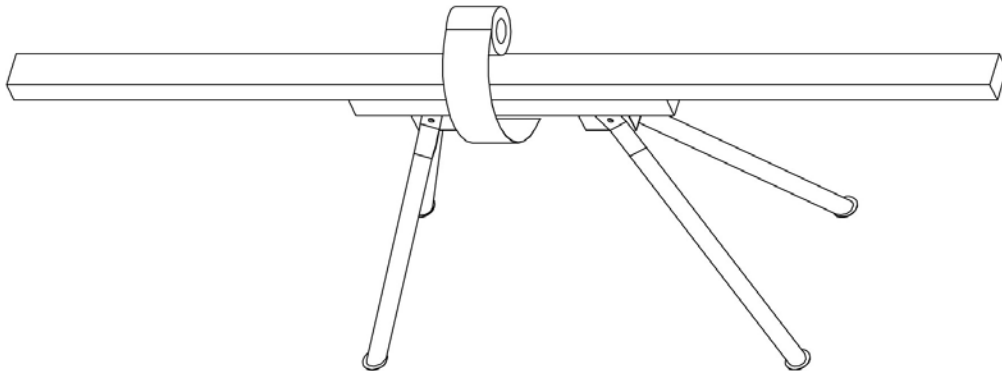
6. PARTS DIAGRAM



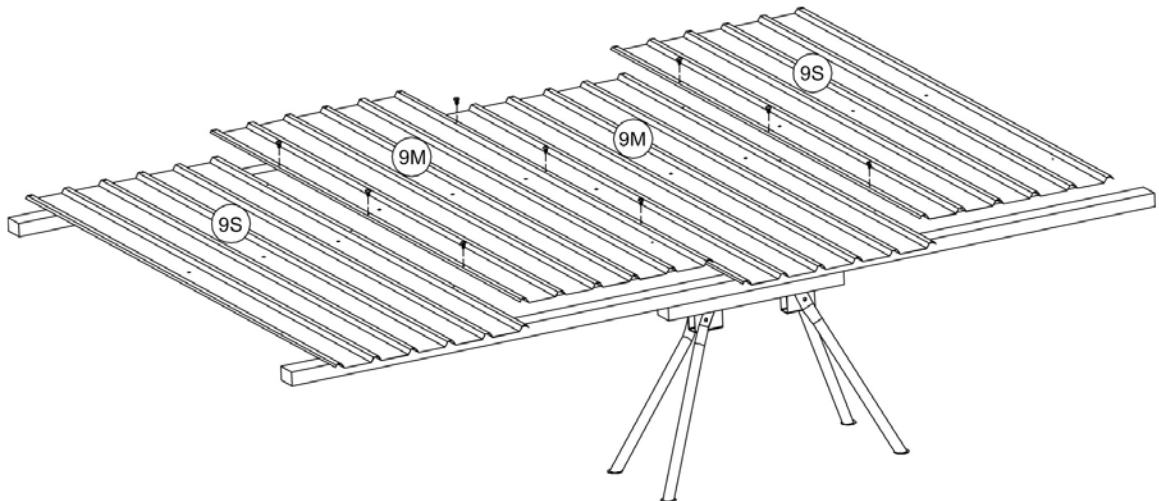
7. ASSEMBLY

7.1 ASSEMBLE THE REAR WALL PANELS:

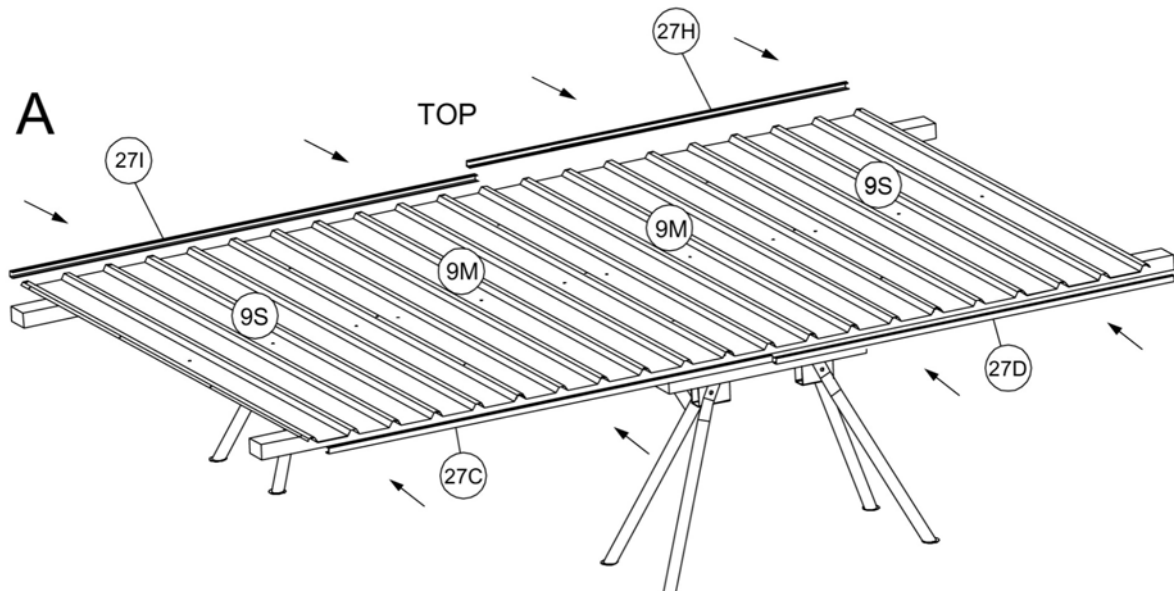
7.1.1 You will find it easier to assemble the shed using sawhorses with timber studding attached as indicated below or alternatively a trestle table. (Any timber studding used will need to be the same length as the shed i.e. 3mtr). Trestles are available from your Sealey Dealer, Part No. FDT3. Attach the studding to trestles with equal overhang using nylon cable ties or similar 'safe' method.

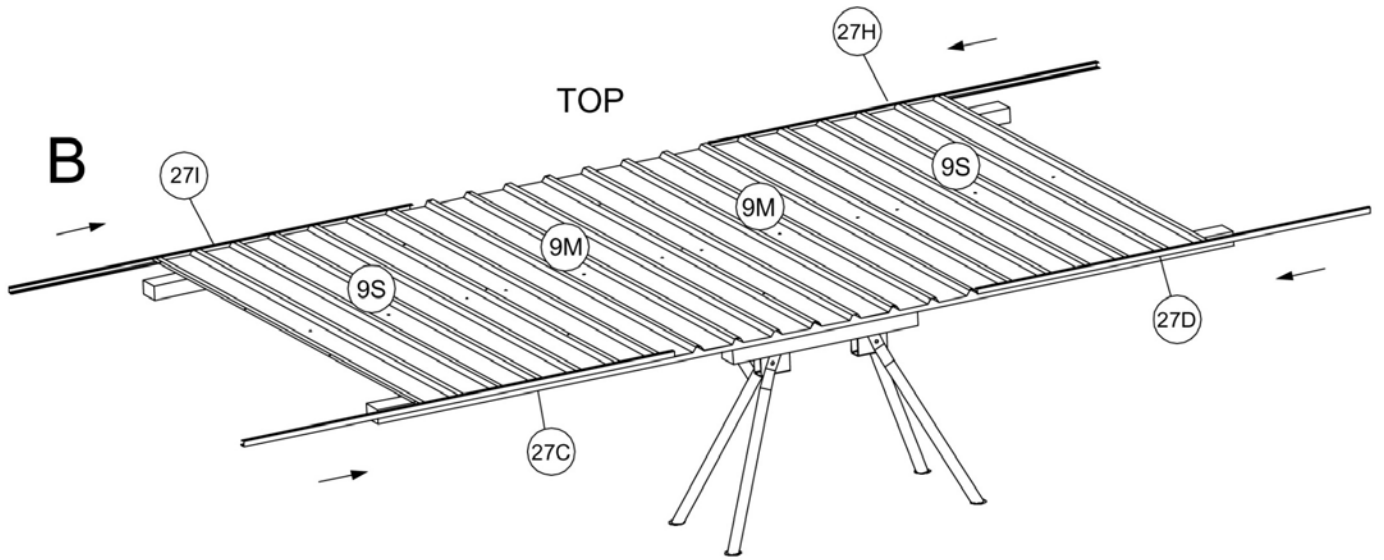


7.1.2 Place 2 x 9S sheeting panels and 2 x 9M sheeting panels onto your work table and join them together with self tapping screws as indicated in the diagram below.

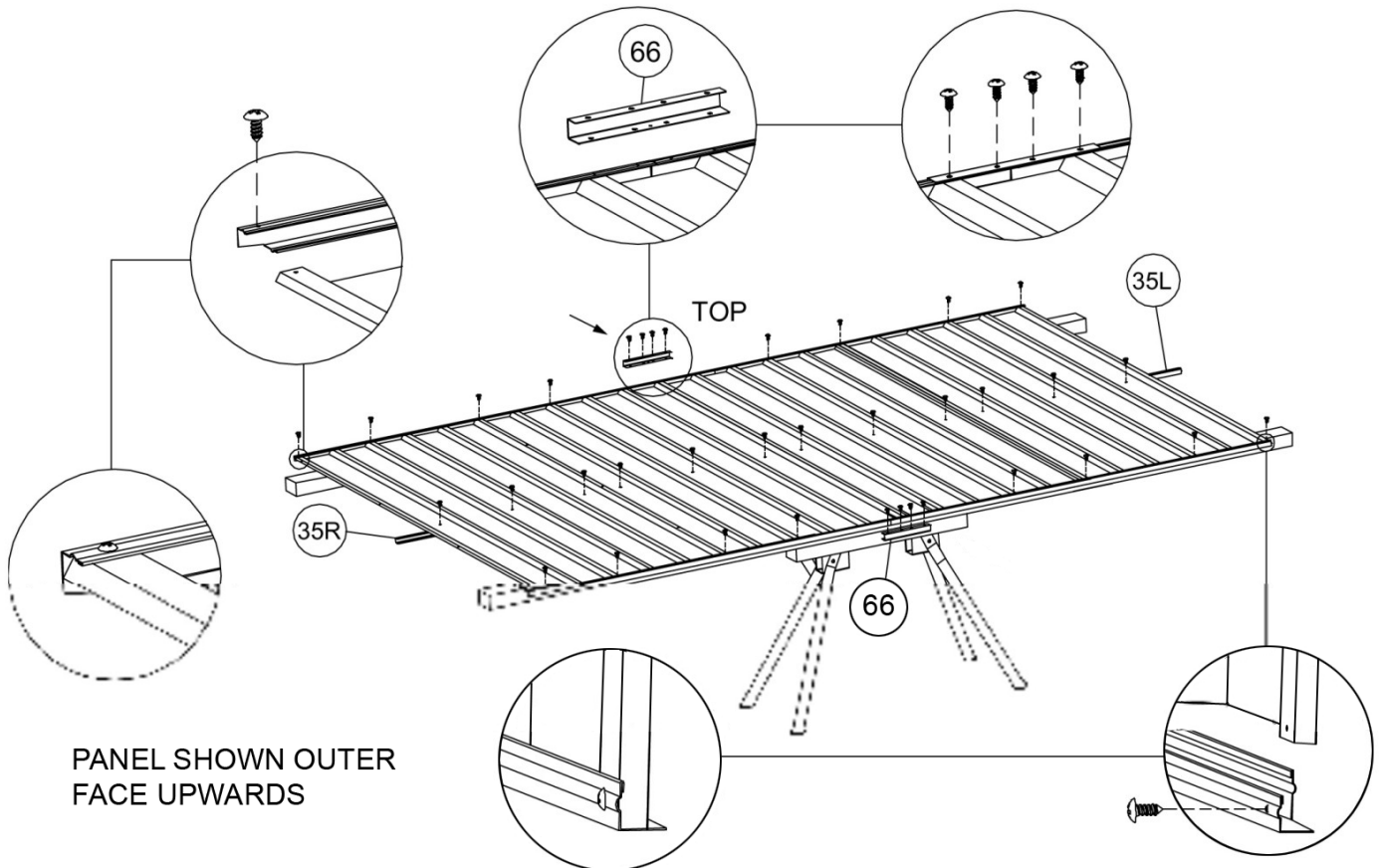


7.1.3 Now fit 27I, 27H top channels and 27C & 27D bottom channels to the sheeting by tapping them into place as shown in diagram A or sliding them onto the panels as shown in diagram B. Note that the smaller lip on the channels should always be facing to the outside face of the panels. This is to prevent water ingress. Ensure that 27I and 27H are used as the top edging to the panel as indicated in diagrams A & B.

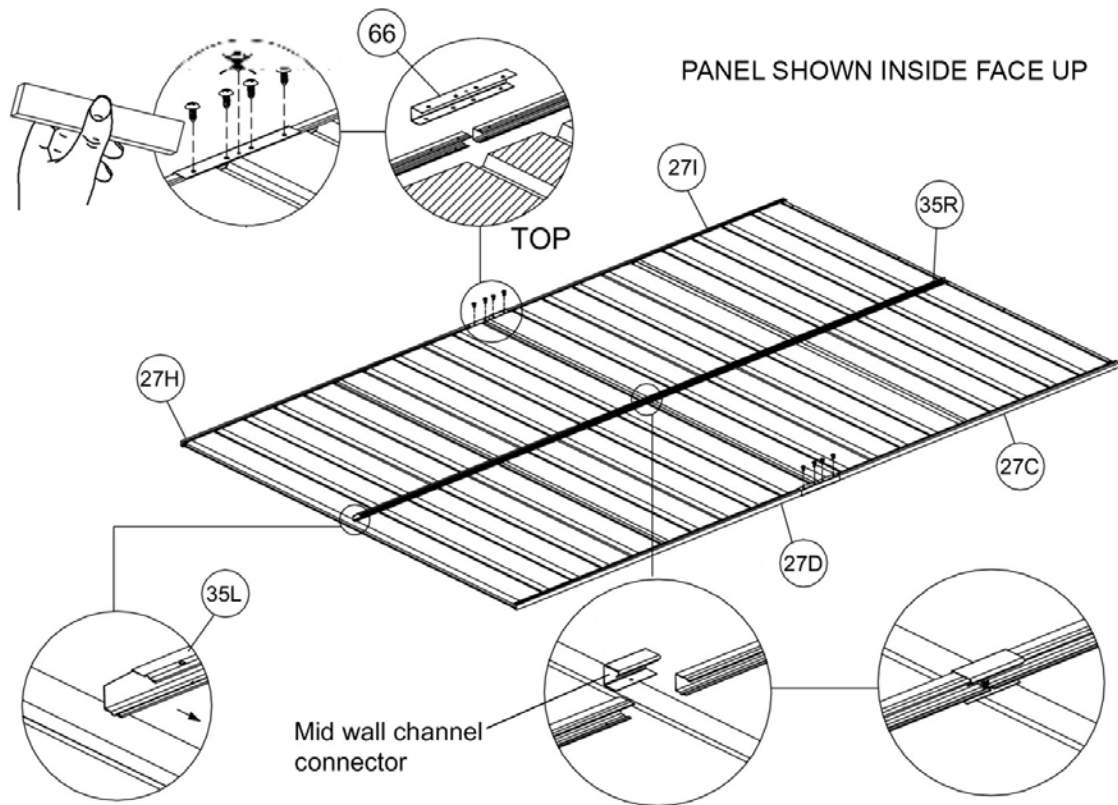




7.1.4 Fix the channels in place using self tapping screws as shown below and apply a channel connector (66) to the top and bottom of the panel to enhance the strength. Ensure the panel is well supported when screwing the connector into place using four self tapping screws. The centre screw hole on the connector is not used at this stage.

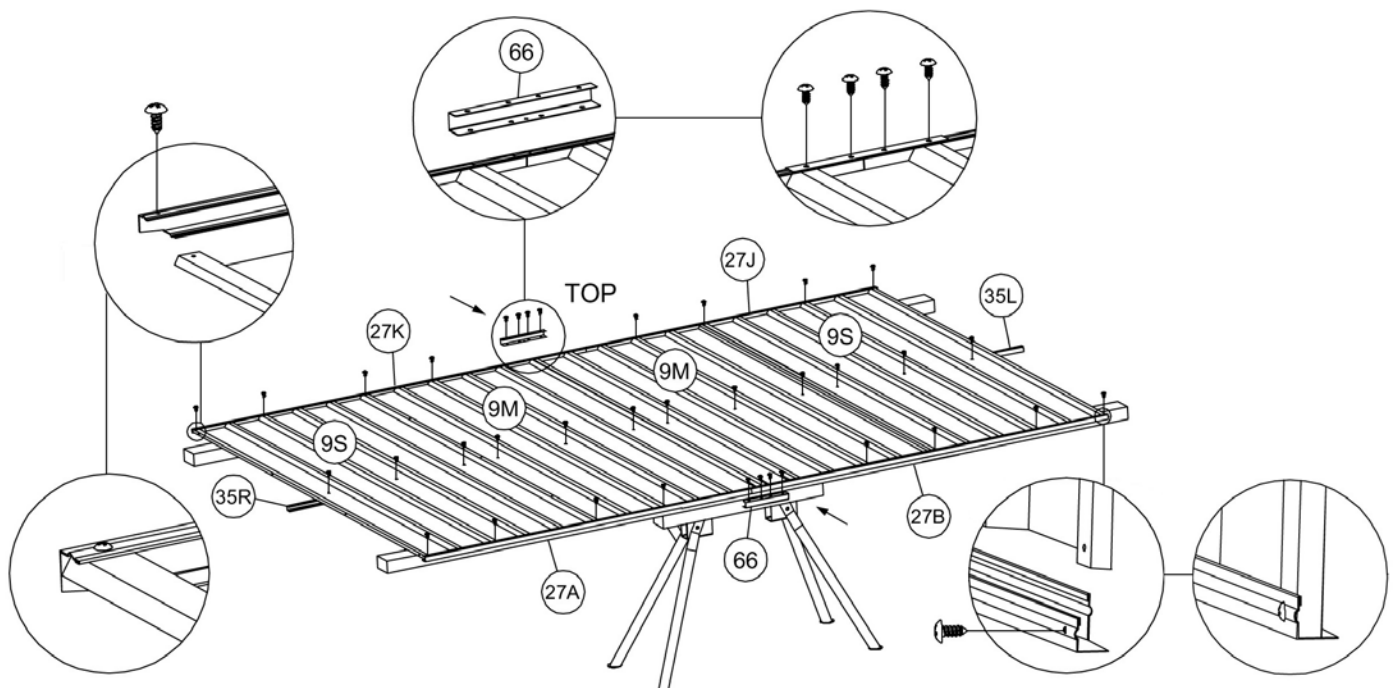


7.1.5 Now fix the 35R and 35L mid wall channels to the panel assembly using self tapping screws from the outside (as indicated in the previous diagram), ensuring that the open side of the channel is facing downwards. You will need to use a mid wall channel connector where the two sections of the channel meet in the centre of the panel as indicated on the diagram below.



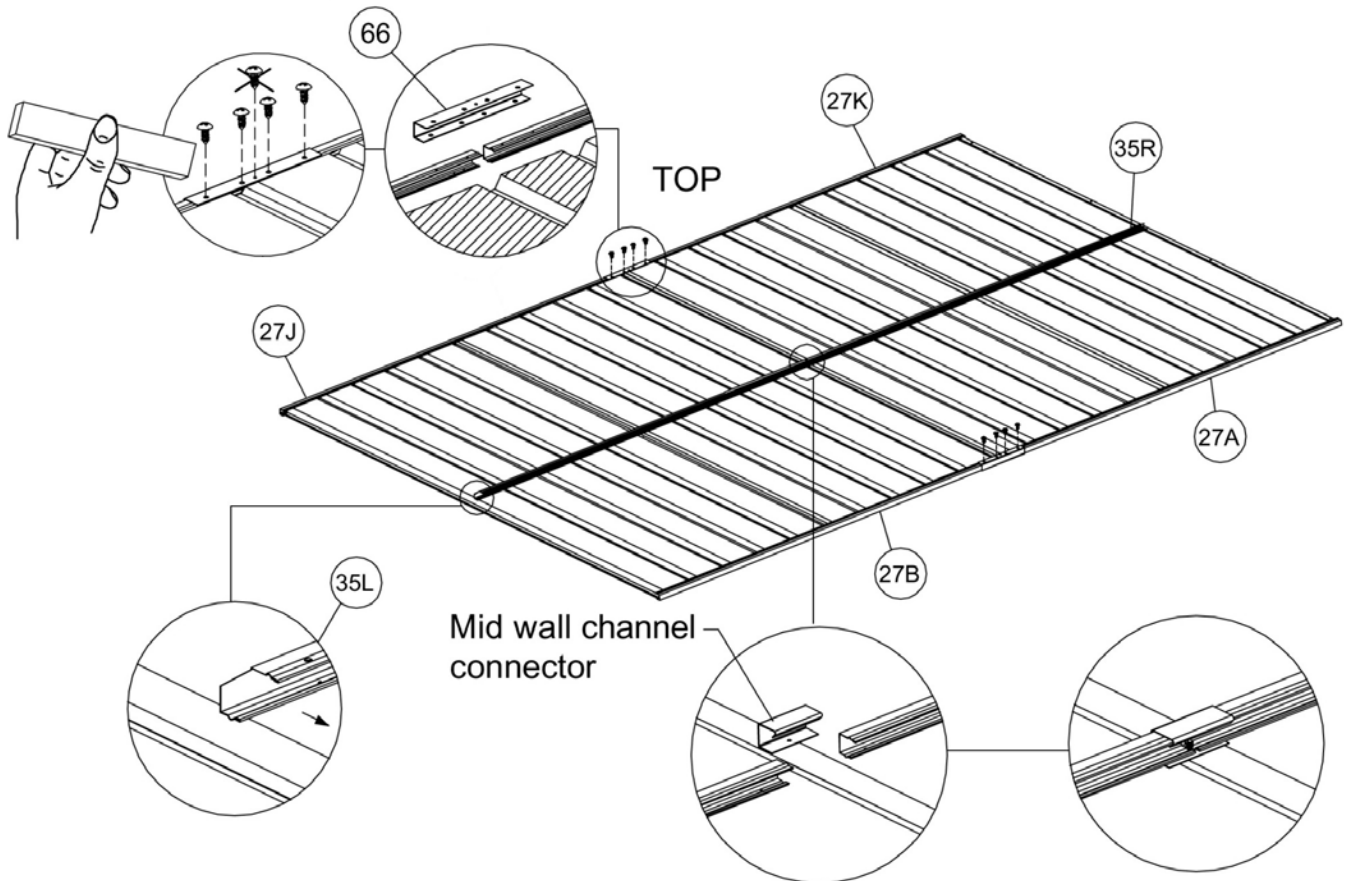
7.2 ASSEMBLE THE SIDE WALL PANELS

7.2.1 Place 2 x 9S and 2 x 9M sheeting panels onto your work table and fix them together with self tapping screws as shown in the diagram below. Now fit top channels 27K and 27J plus bottom channels 27A and 27B to the panel edges by sliding them into position or tapping them into place using a soft faced hammer. Note that the small lip of the channel should be positioned on the outside face to prevent water ingress. Ensure that channels 27K and 27J are used for the top edge of the panel. Fix the channels in place using self tapping screws and strengthen the central joints, top and bottom, by screwing into place a channel connector (66). Now fix the mid wall channels 35R and 35L to the panel with self tapping screws ensuring that you use a mid wall channel connector in the centre of the panel where the two channels meet. The open part of the channel should be facing downwards.



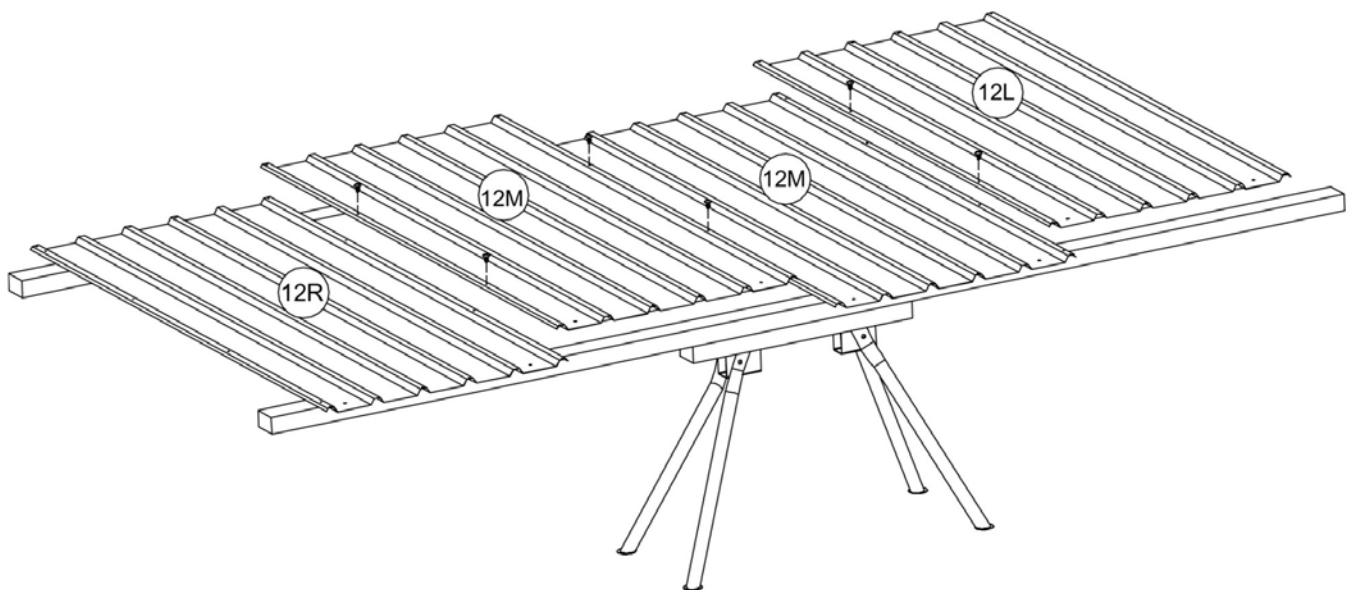
7.2.2 Ensure that the panel is adequately supported in the shaded area (as seen below) when screwing the channel connectors (66) into place.

7.2.3 Assemble the other side panel in the same way.



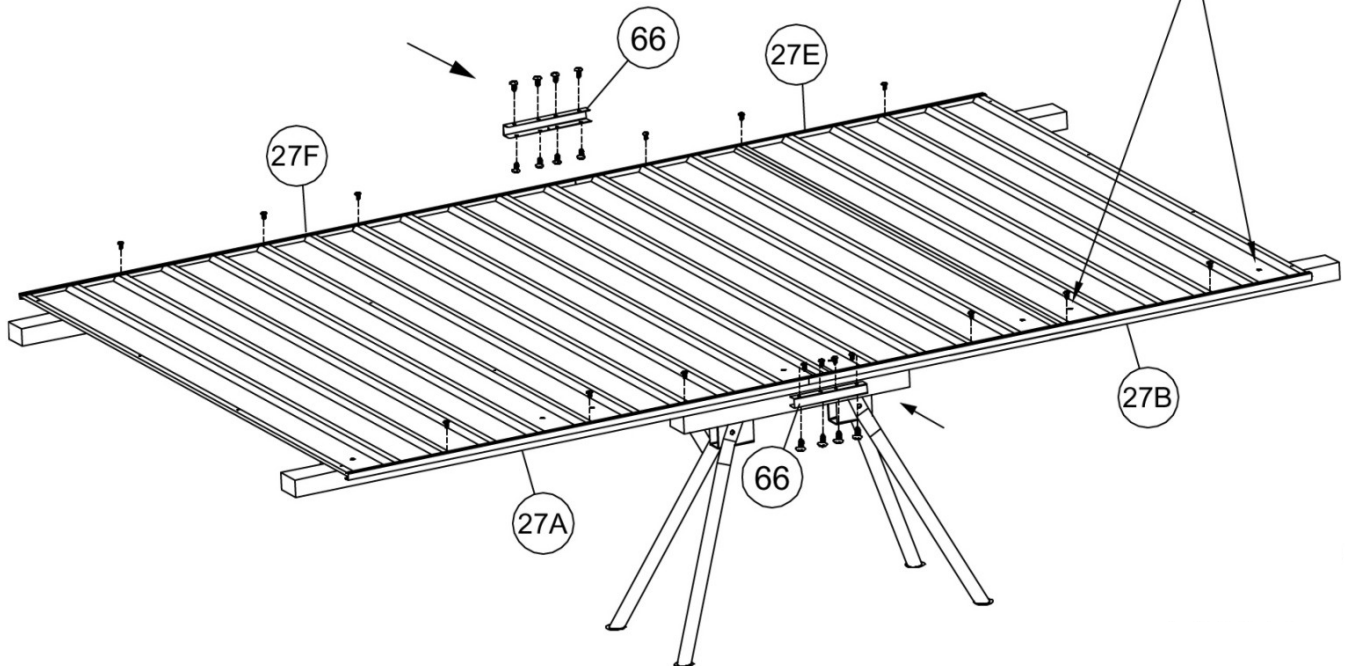
7.3 ASSEMBLE THE ROOF PANELS.

7.3.1 Place 12R, 2 x 12m and 12L onto your work table and fix them together with self tapping screws.

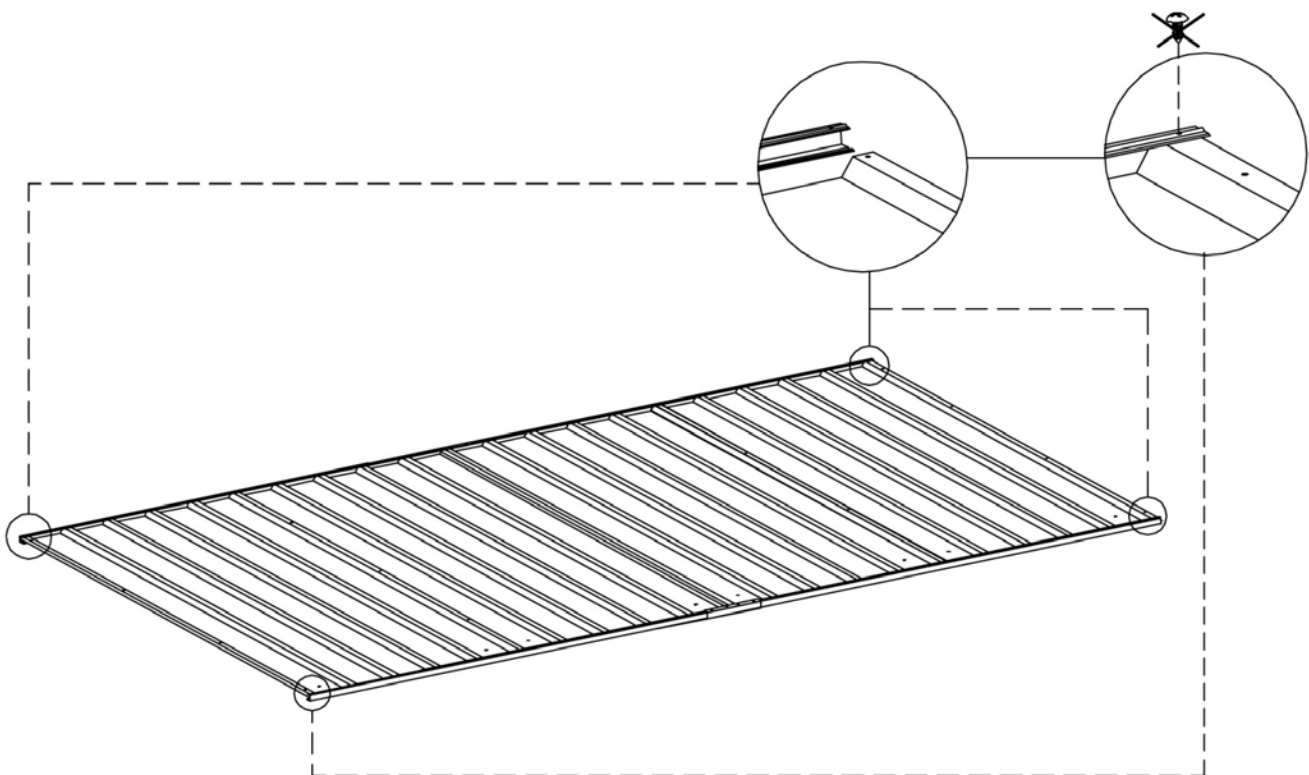


7.3.2 Attach channels 27F, 27E, 27A and 27B to the roofing panel using self tapping screws. Note that channels 27A & 27B should be attached to the side of the panel that has pre-punched holes in it.

THE 2 PRE-PUNCHED HOLES TO THE END OF EACH SHEET SHOULD BE ADJACENT TO PARTS No.27A & 27B



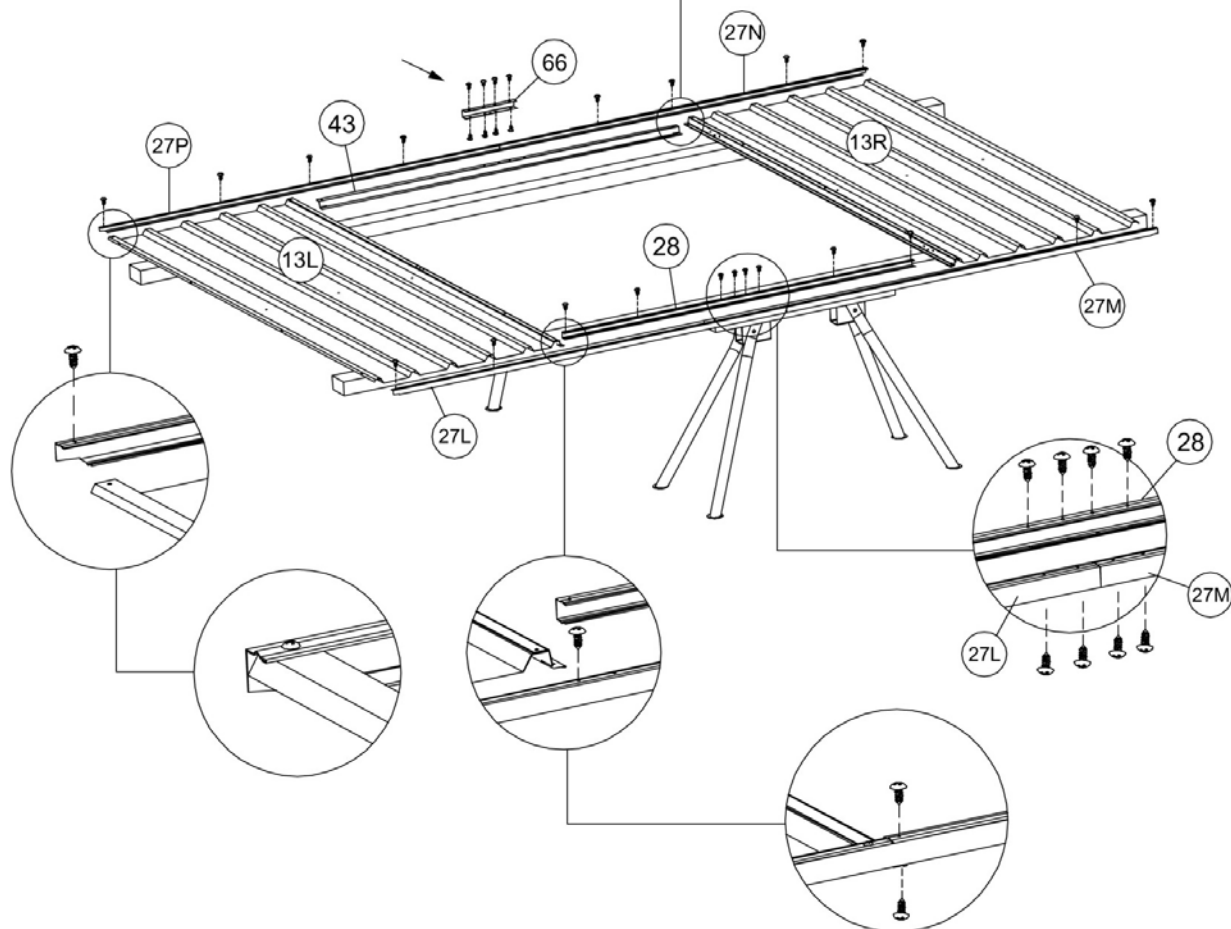
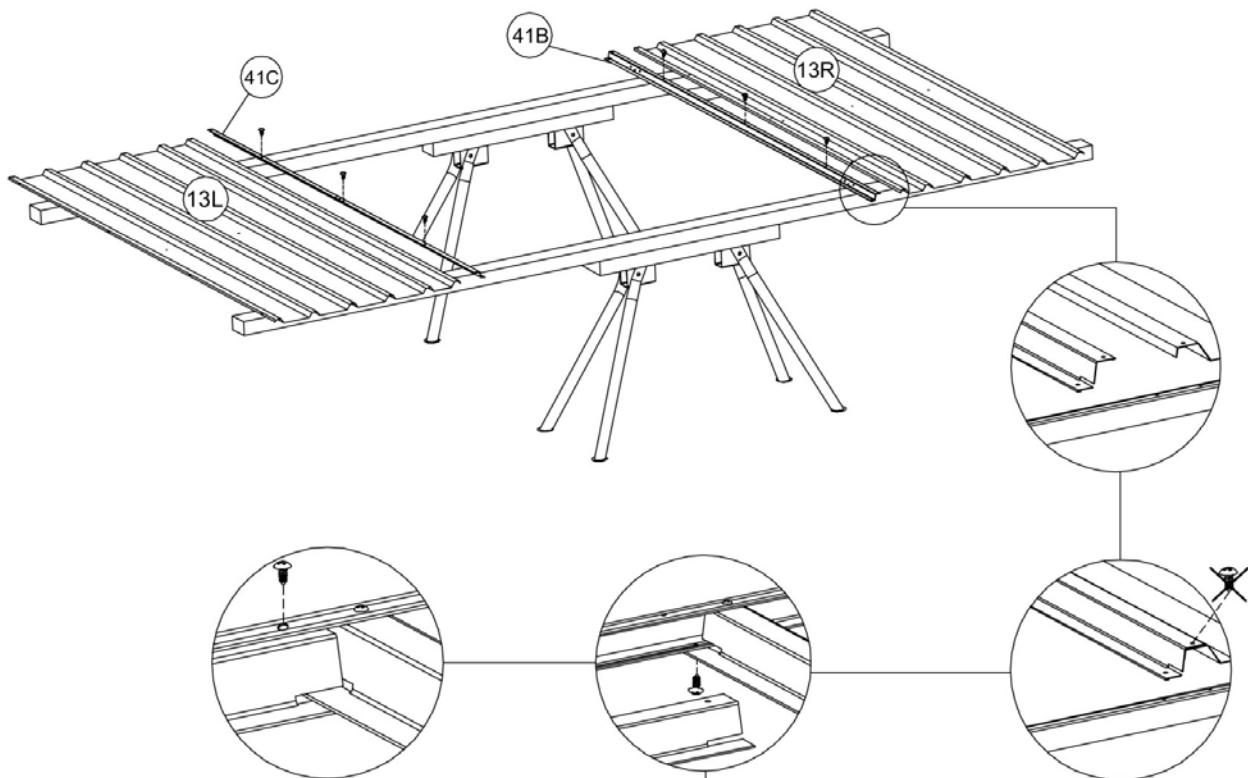
7.3.3 Attach channel connectors (66) to each side of the panel as shown above. Note that in this instance the connectors are attached with self tapping screws from both sides.



7.3.4 Leave the four corners of the roof panel unfixed at this stage. Assemble the second roof panel in the same way.

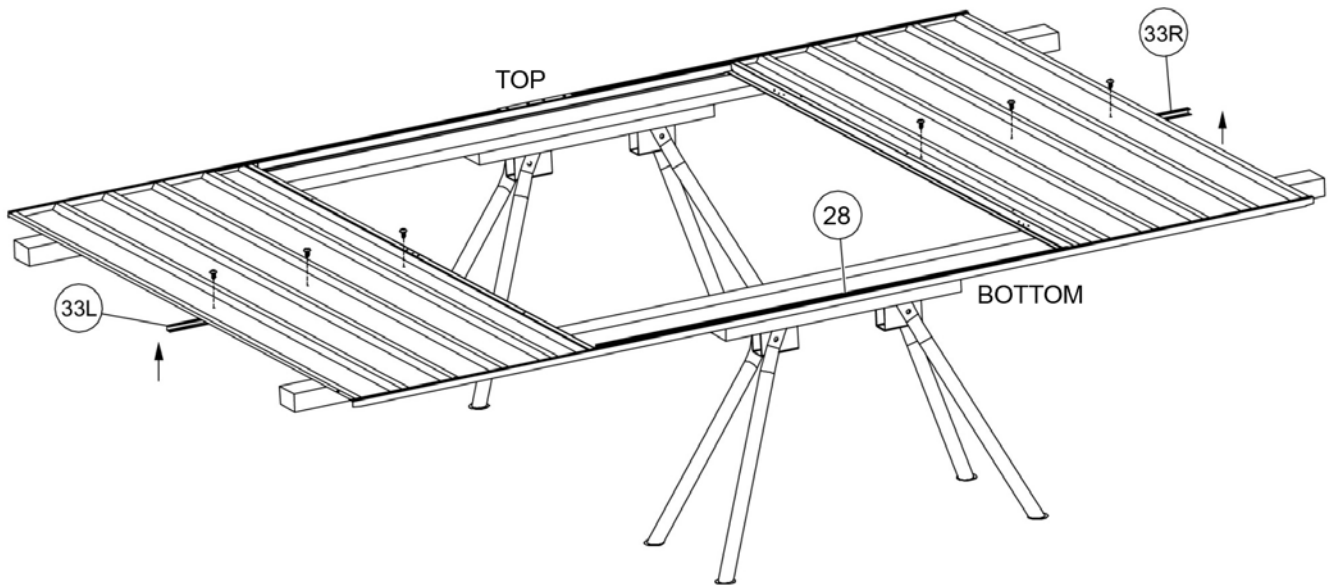
7.4 ASSEMBLE THE FRONT WALL PANELS.

7.4.1 Attach component 41C (jamb) to panel 13L and component 41B (jamb) to panel 13R using self tapping screws, in the configuration shown below.



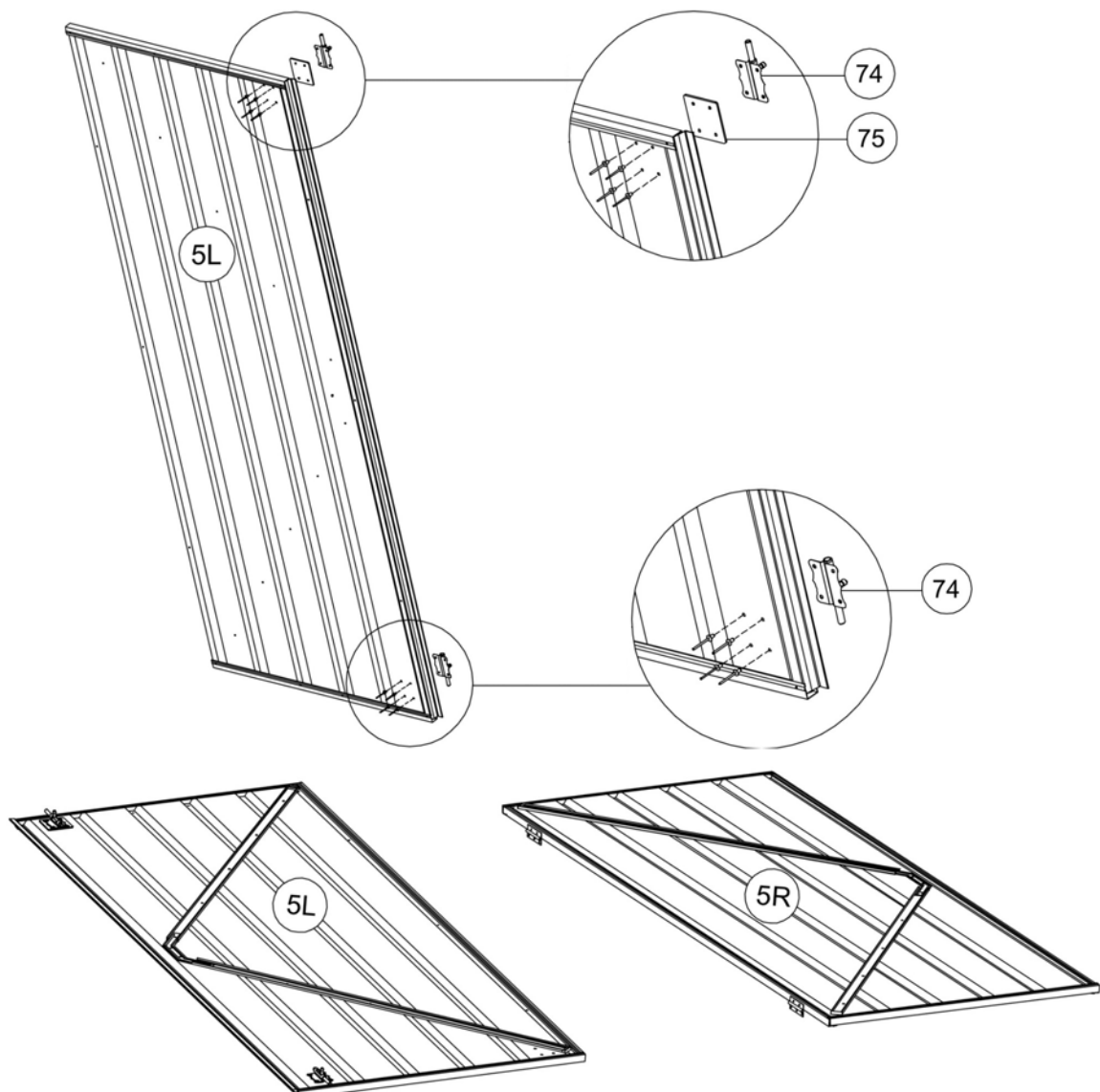
7.4.2 Attach top channels 27P, 27N and component 43 (jamb) to panels 13L and 13R using self tapping screws, as shown above. Apply a channel connector (66) to reinforce the joint between the two top channels. (Note that screws are fixed to both sides of the connector). Now attach bottom channels 27L, 27M and component 28 to panels 13L and 13R using self tapping screws. (Note that screws are fixed to both sides of component 28, at the centre, in order to tie together the two bottom channels 27L & 27M).

7.4.3 Now fix mid wall channels 33L and 33R to the inside face of the sheeting using self tapping screws. Note that the open side of the channels should be facing downwards towards component 28.

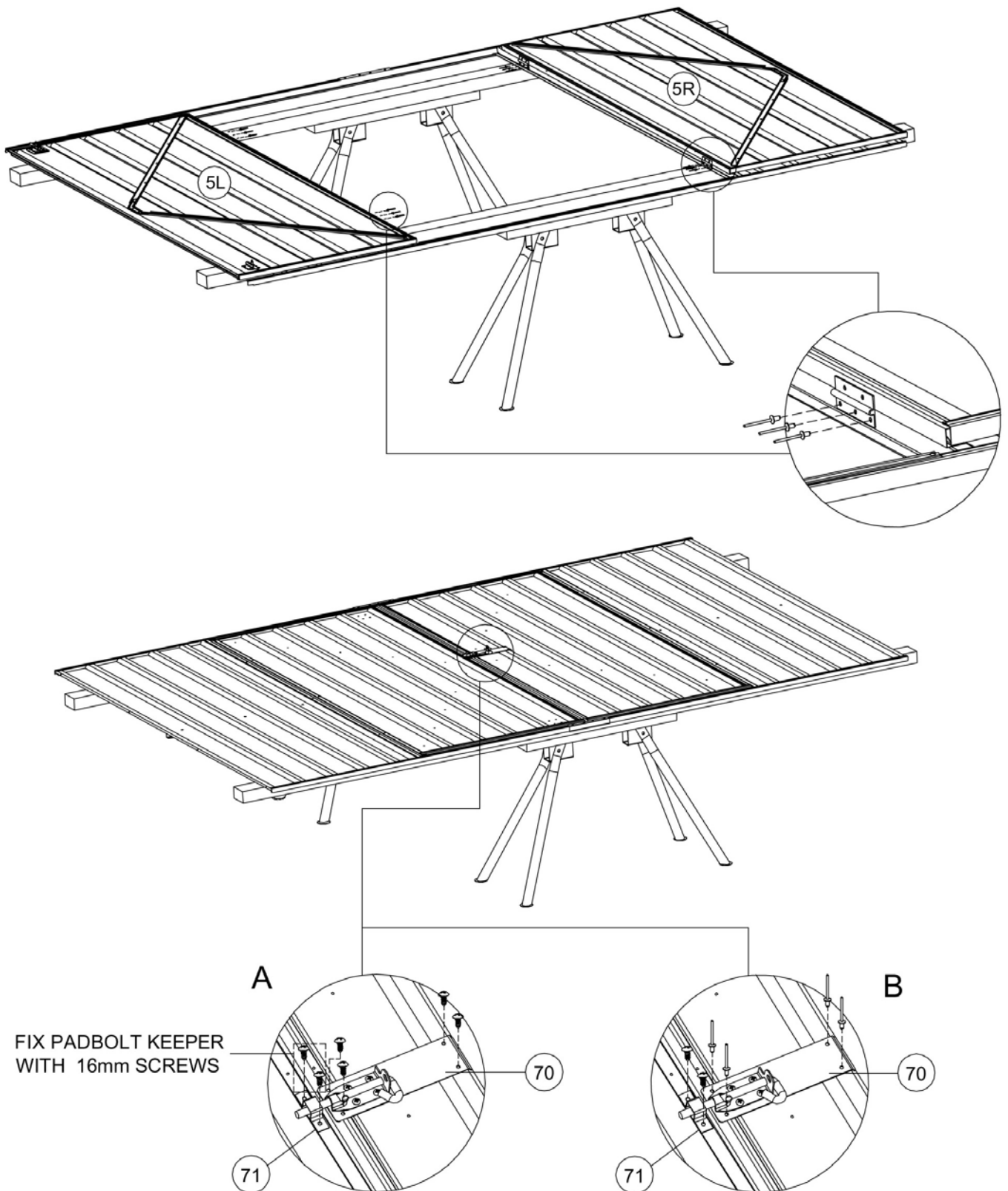


7.5 ASSEMBLE THE FRONT DOOR.

7.5.1 Fix barrel bolt 74 and plate 75 onto door 5L by rivetting them into place.



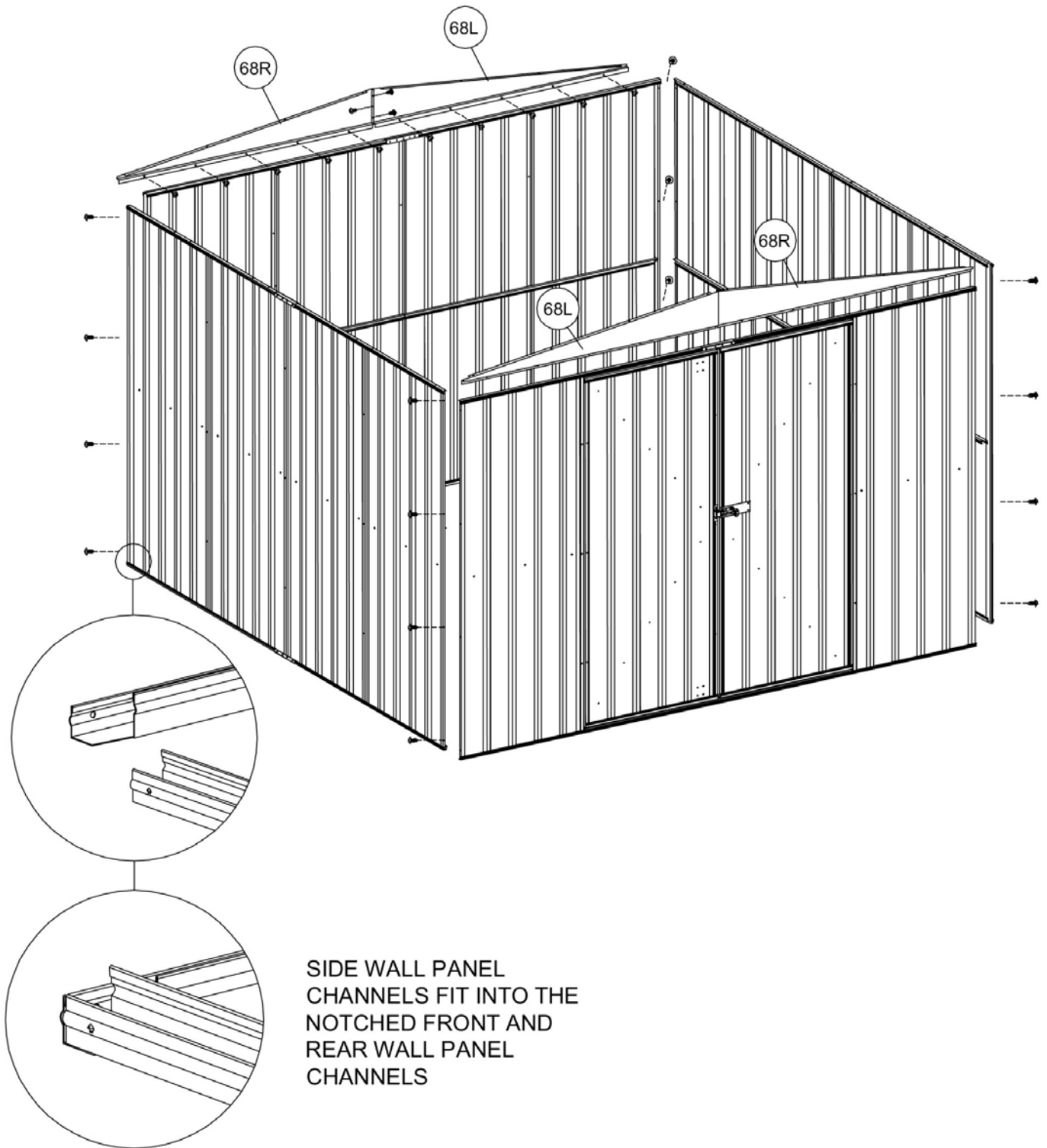
7.5.2 Lay the doors 5L and 5R onto the front wall panel in the open position and open the hinges so that they lie against the frame. Align the hinges with the pre-drilled holes in the frame and rivet the doors into place.



7.5.3 Close the doors and allow them to rest in the frame. Align the pad bolt (70) and keeper (71) with the pre-drilled holes in the doors and fix in place with the 16mm self tapping screws provided or alternatively, rivet in place.

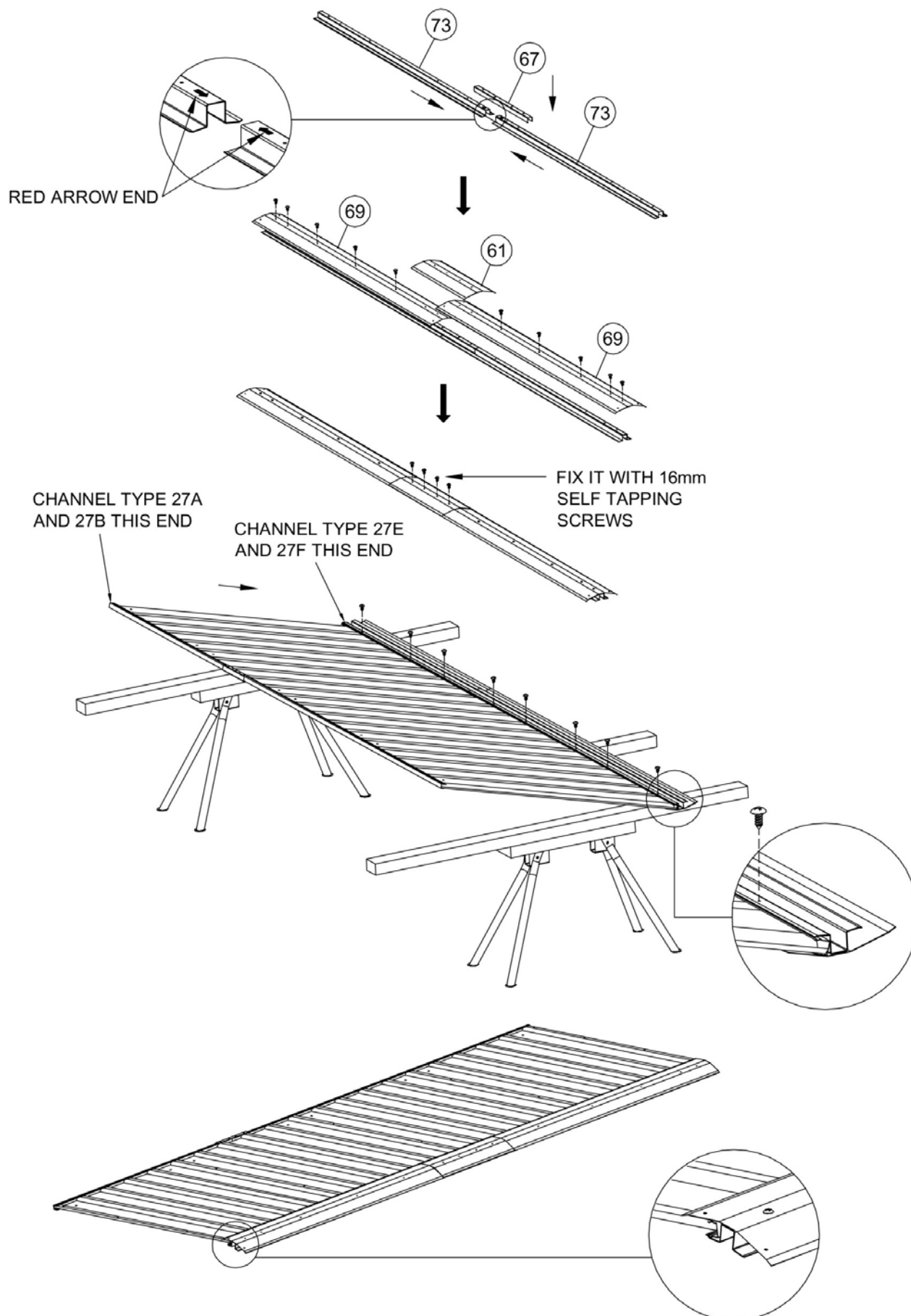
7.6 FIX THE WALL PANELS TOGETHER.

7.6.1 Now fix the front, rear and side panels together using 4 self tapping screws at each corner. Fix a pair of gable panels 68R & 68L to both the front and rear walls of the shed using self tapping screws as shown below.



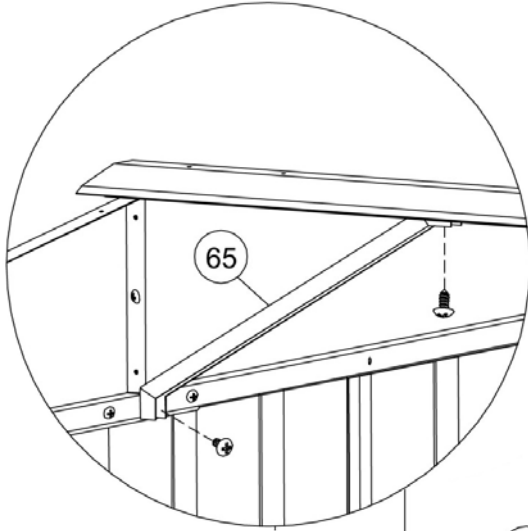
**SIDE WALL PANEL
CHANNELS FIT INTO THE
NOTCHED FRONT AND
REAR WALL PANEL
CHANNELS**

7.6.2 Take the two ridge beams (73) and place together the ends marked with a red arrow. Place the ridge beam connector (67) over the joint and align the fixing holes. Place gable caps (69) onto the ridge beams and cover the joint with the gable cap connector. Fix the whole structure together using 16mm self tapping screws

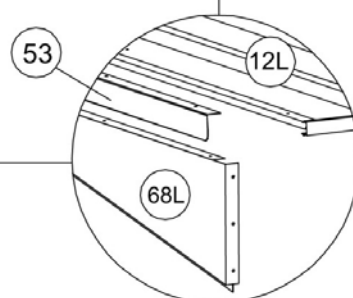
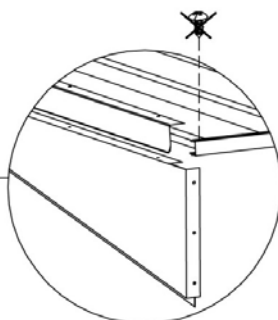
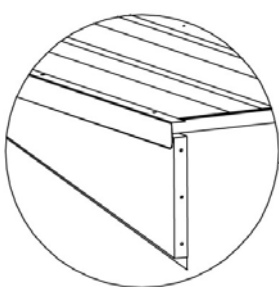
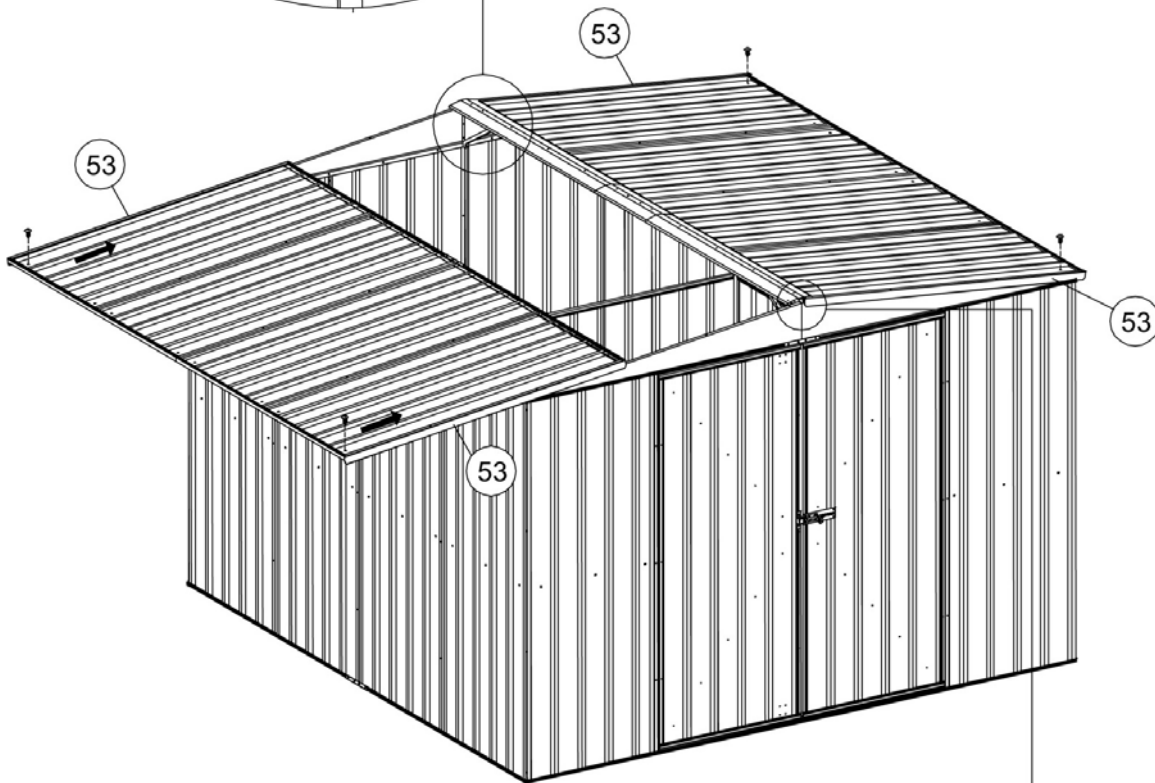


7.6.3 Take one roof panel and identify on which side of the panel the channels 27E and 27F are fixed. Slide or insert this side of the panel into one side of the ridge beam assembly that you have just created as indicated above.

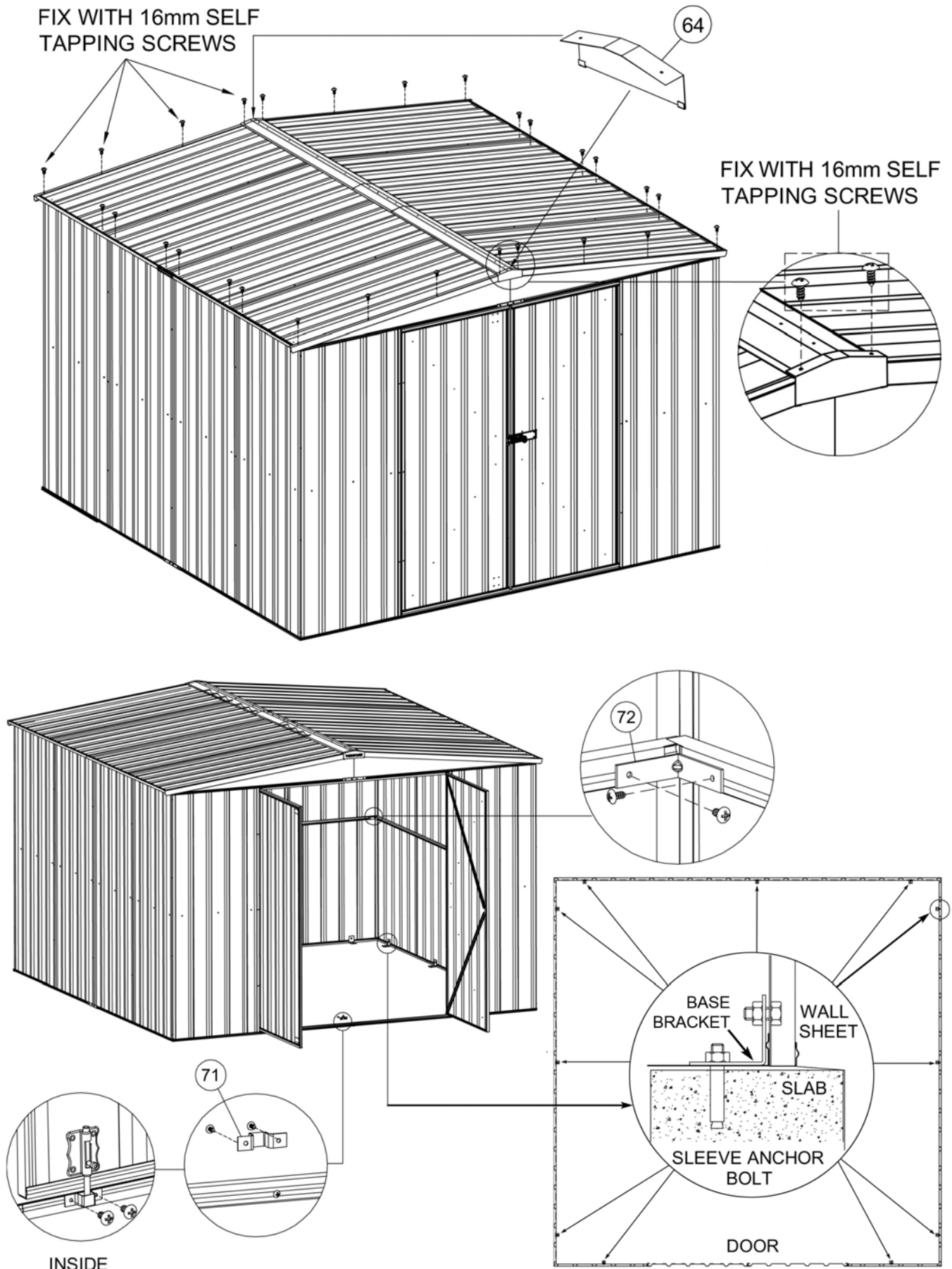
7.6.4 Place the roof panel with ridge beam attached onto one side of the shed and slide it up the gable ends until it is in position. Ensure that the top lip of the gable ends sits neatly into the channeling on either side of the roof panel. Slide the other roof panel into position ensuring that the edge which enters the ridge beam assembly is the edge with channels 27E & 27F attached. Fix the second roof panel to the ridge beam assembly (from the inside of the shed) using 16mm self tapping screws. Fix the roof panels to the gable ends using 4 lip components (53) using 16mm self tapping screws. The screws must pass through the holes in all three components i.e. lip (53), gable end & roof panel. At this stage, do not fix the 4 screws directly adjacent to the centre of the gable ends. Referring to the instructions in the diagram below, fix 2 roof braces inside the shed



AFTER ATTACHING BOTH ROOF PANELS TO WALLS, DRILL HOLES FOR THE FRONT WALL ROOF BRACE USING A 3MM BIT IN THE POSITIONS INDICATED AND FIX THE BRACE TO THE RIDGE BEAM AND FRONT WALL AS SHOWN. REPEAT THE PROCESS FOR THE REAR WALL ROOF BRACE

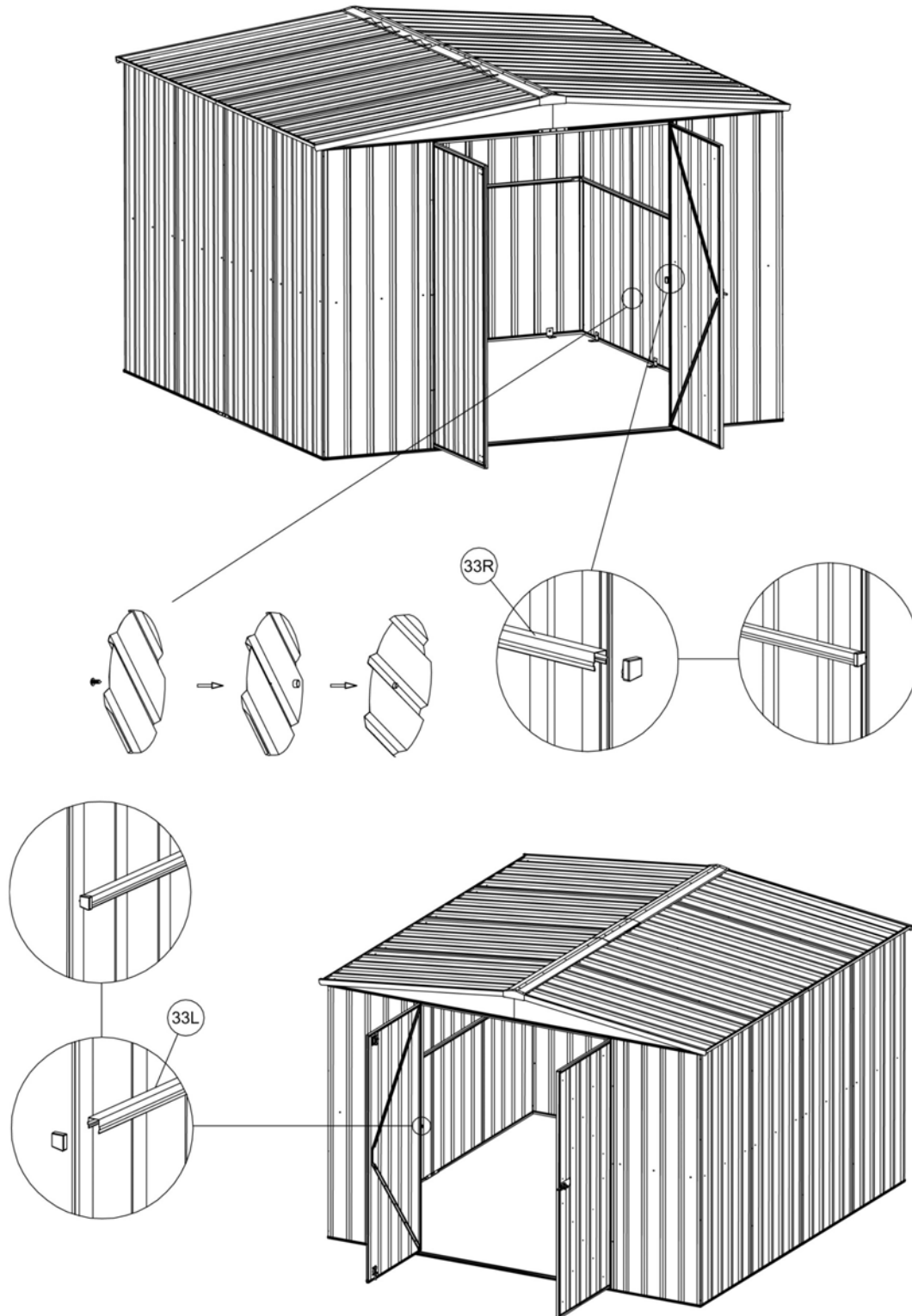


7.6.5 Attach an end cap (64) to each end of the ridge beam using 16mm self tapping screws.



7.6.6 Now bolt the shed to the concrete base using the 11 base brackets supplied as shown above. Please note that the anchor bolts are not supplied with the fixing kit. Where the mid wall channels on the inside of the shed meet at the corners, strengthen them by applying a bracket (72) as shown above. Fix the keeper (71) to the inside of the lower door frame ensuring that it is aligned with the barrel bolt.

7.6.7 Push a safety cap (L) into the exposed ends of the two mid wall channels 35R & 35L that appear either side of the doorway. Soft plastic covers are also provided to cover the sharp ends of self tapping screws that appear on the inside of the shed. Place the covers onto the ends of the screws where required and 'screw' them down until they are flush with the inside face of the shed.



Parts support is available for this product. To obtain a parts listing and/or diagram, please log on to www.sealey.co.uk, email sales@sealey.co.uk or phone 01284 757500.

NOTE: It is our policy to continually improve products and as such we reserve the right to alter data, specifications and component parts without prior notice.

IMPORTANT: No liability is accepted for incorrect use of this product.

WARRANTY: Guarantee is 12 months from purchase date, proof of which will be required for any claim.

INFORMATION: For a copy of our latest catalogue and promotions call us on 01284 757525 and leave your full name and address, including postcode.



Sole UK Distributor, Sealey Group,
Kempson Way, Suffolk Business Park,
Bury St. Edmunds, Suffolk,
IP32 7AR

01284 757500

01284 703534

www.sealey.co.uk

sales@sealey.co.uk