

Thank you for purchasing a Sealey product. Manufactured to a high standard this product will, if used according to these instructions and properly maintained, give you years of trouble free performance.



IMPORTANT: PLEASE READ THESE INSTRUCTIONS CAREFULLY. NOTE THE SAFE OPERATIONAL REQUIREMENTS, WARNINGS & CAUTIONS. USE THE PRODUCT CORRECTLY AND WITH CARE FOR THE PURPOSE FOR WHICH IT IS INTENDED. FAILURE TO DO SO MAY CAUSE DAMAGE AND/OR PERSONAL INJURY AND WILL INVALIDATE THE WARRANTY. PLEASE KEEP INSTRUCTIONS SAFE FOR FUTURE USE.

1. SAFETY INSTRUCTIONS

1.1. GENERAL SAFETY

- WARNING!** Ensure Health & Safety, local authority, and general workshop practice regulations are adhered to when using this cabinet.
- ✓ Locate cabinet in a suitable work area.
- ✓ Keep the work area clean, uncluttered and ensure there is adequate lighting.
- WARNING!** Use cabinet on level and solid ground, preferably concrete.
- ✓ Keep the cabinet clean and tidy in accordance with good workshop practice.
- ✓ Keep children and unauthorised persons away from the work area.
- ✗ **DO NOT** use the cabinet for any purpose other than that for which it is designed.
- ✗ **DO NOT** use the cabinet outdoors.
- ✗ **DO NOT** place the cabinet in a damp or wet location or an area where there is condensation.
- ✗ **DO NOT** clean the cabinet with any solvents which may damage the surfaces or the protective coating.
- ✗ **DO NOT** move the cabinet when there are items placed inside.
- ✗ **DO NOT** step on the shelves.
- ✗ **DO NOT** overload the cabinet.



2. INTRODUCTION

Extra wide, floor standing galvanised steel cabinet with lockable double doors. Right side for taller items such as brooms, mops and ladders. Left side features five shelves, four of which are adjustable. Supplied with two keys. Ideal for factory, workshop or home use.

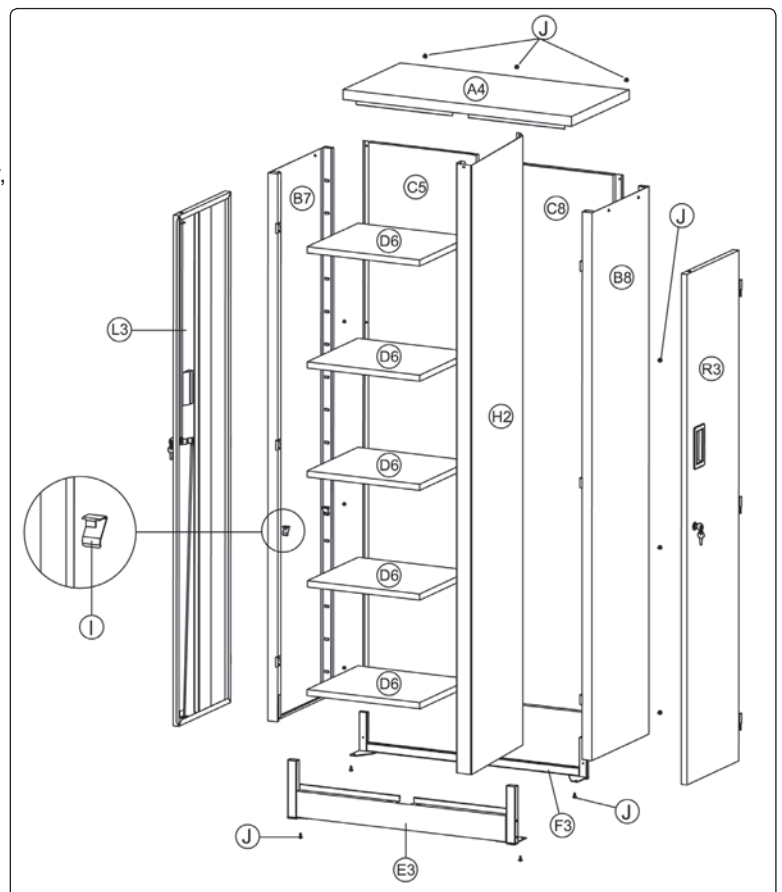
Dimensions:

Width: 1100mm, Depth: 330mm, Height: 1810mm.
 Shelf size: 565 x 328 x 50mm.

3. CONTENTS

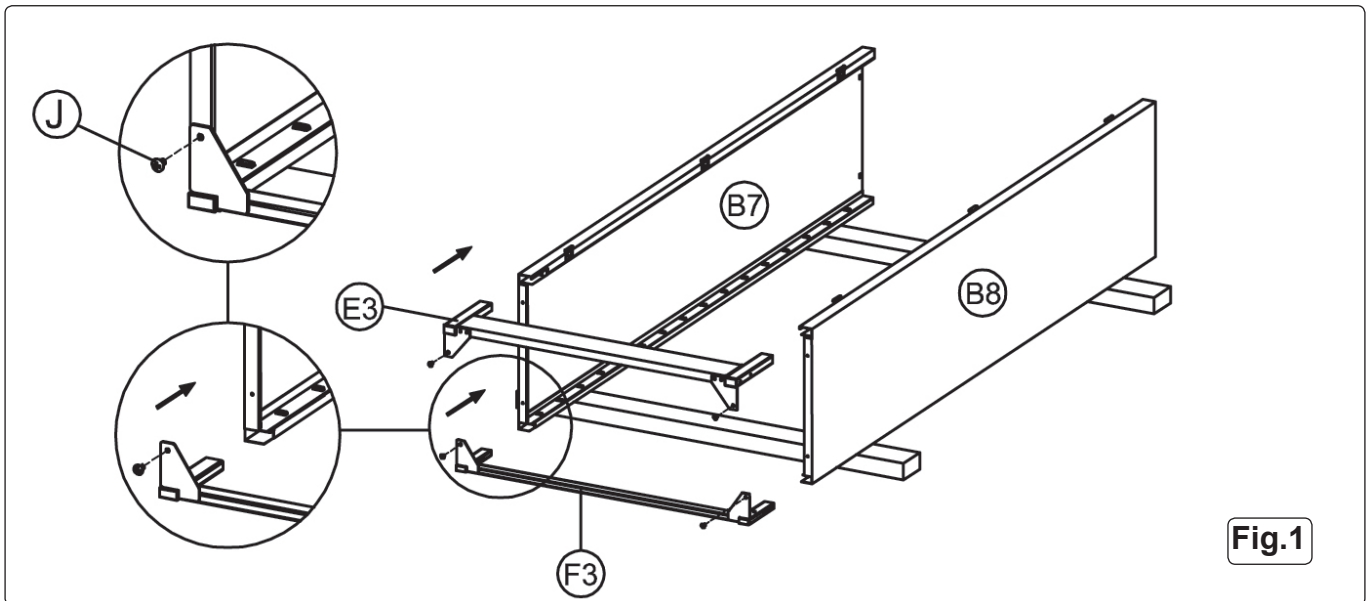
Part No.	Part Name	No.
GSCSP.A4	Top Panel	1
GSCSP.B7	Left Side Panel	1
GSCSP.B8	Right Side Panel	1
GSCSP.C5	Left Back Panel	1
GSCSP.C8	Right Back Panel	1
GSCSP.D6	Shelf	5
GSCSP.E3	Front Base Bracket	1
GSCSP.F3	Back Base Bracket	1
GSCSP.H2	Middle Panel	1
GSCSP.L3	Left Door	1
GSCSP.R3	Right Door	1
GSC110385SP.I	Shelf Support	20
GSC110385SP.J	Self Tapping Screw	21

Unpack the contents of the box and check against the parts list/diagram. If there are any parts missing, contact your local Sealey dealer.

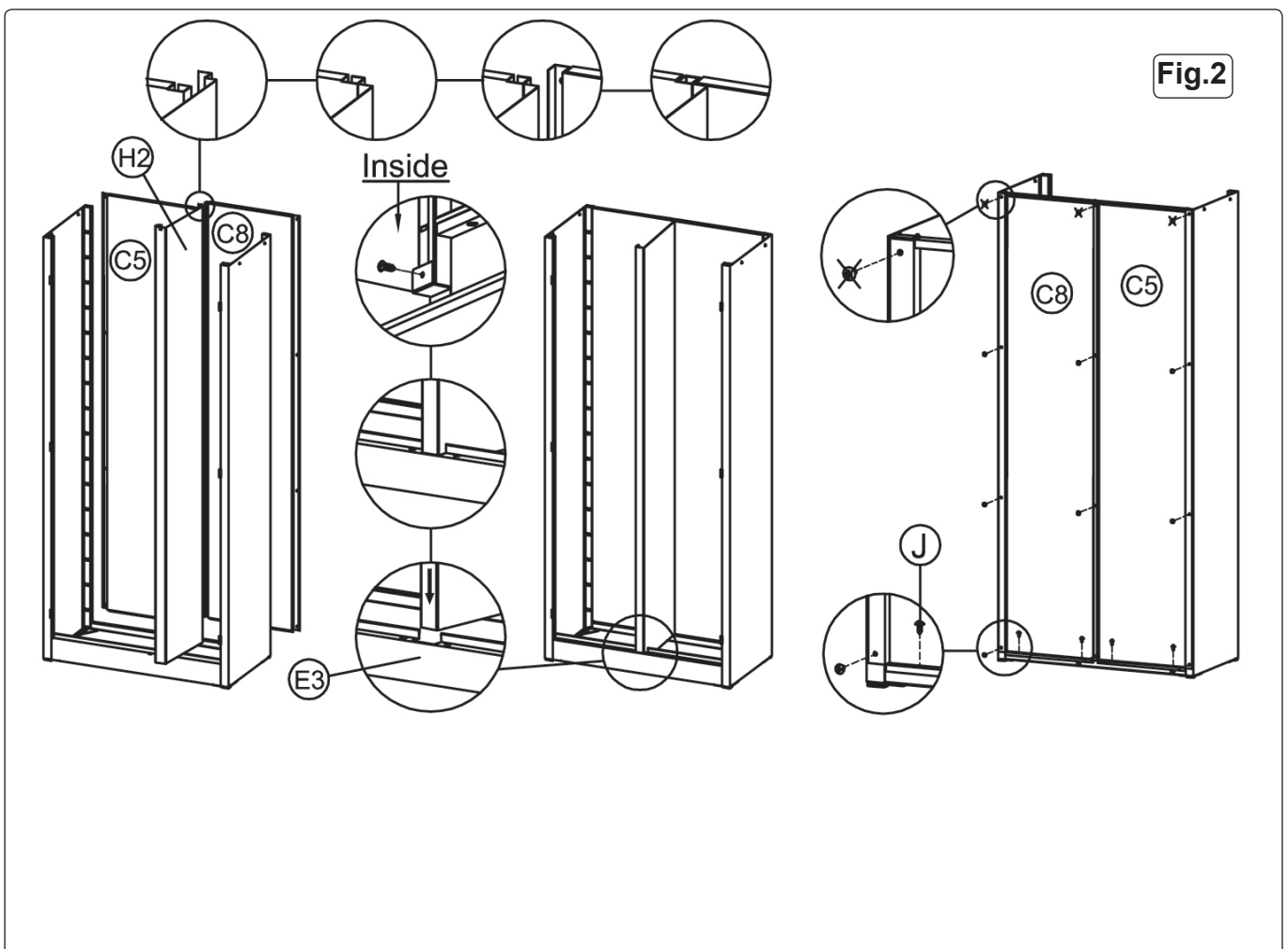


4. ASSEMBLY

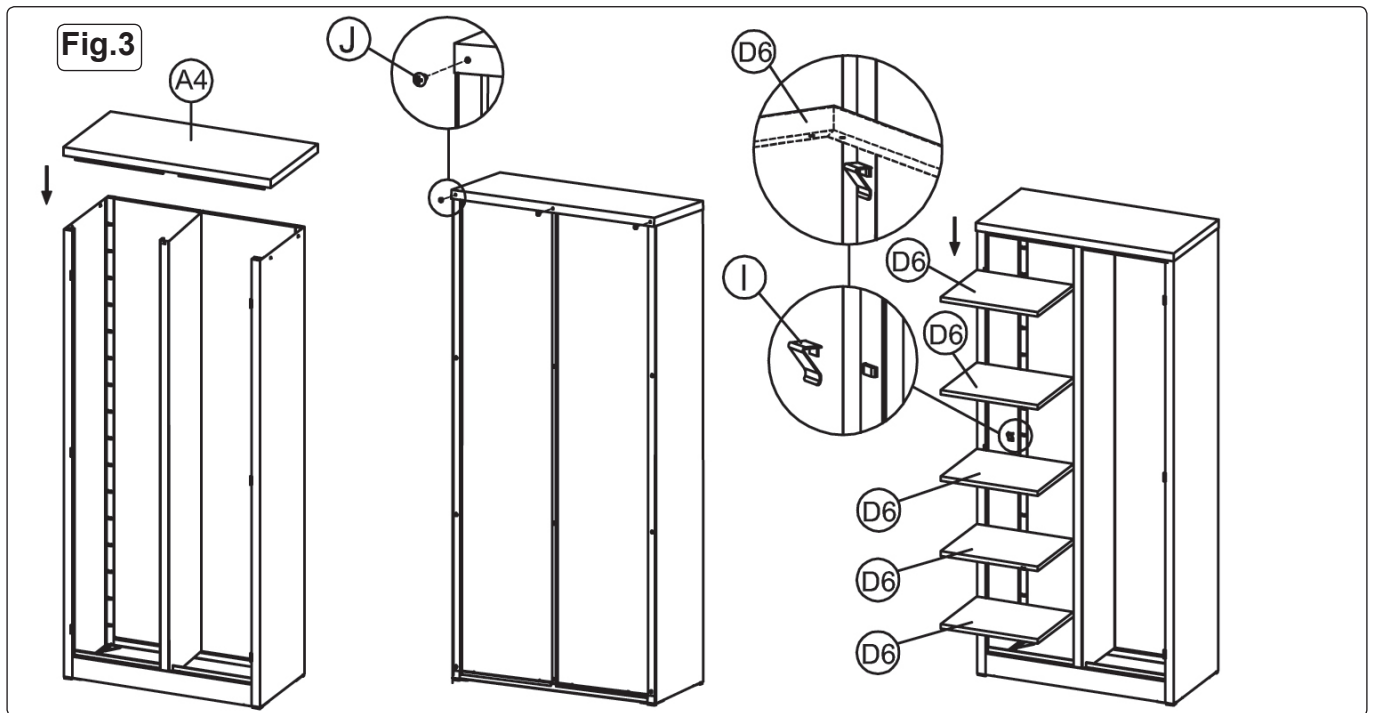
- 4.1. Assemble the cabinet, using the following diagrams and referencing the parts list/diagram overleaf.
- 4.2. Insert and slide E3 front base bracket and F3 back base bracket into the bottom of B7 left side panel and B8 right side panel. Attach with 1 screw J into each of the four corners. Use a trestle table or a workbench for convenience (fig.1).



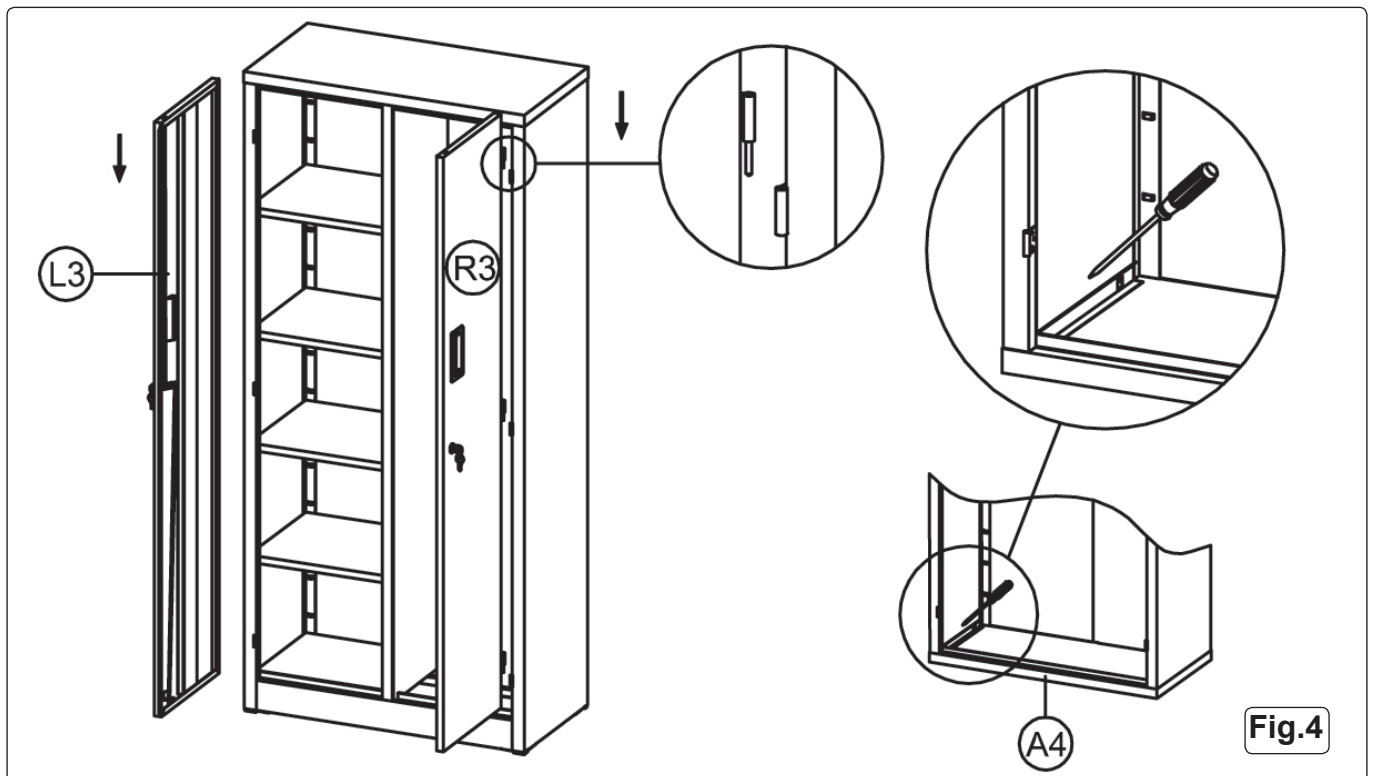
- 4.3. Acquire the help of a second person for this stage. Stand unit upright and insert H2 middle panel into the hole in E3 front base bracket. Fix it in place using 1 J self tapping screw from the rear. Install C5 left back panel, and then C8 right back panel over the top of panel C5. Use self tapping screws J to attach panels (fig.2) (**NOTE** - don't fix screws to the top corners at this stage).



4.4. Install A4 top panel and fix in place using J self tapping screws. Place I shelf supports in the four corners for each required shelf location. Locate shelves on the shelf supports (fig.3).



4.5. Install R3 right door and L3 left door by positioning the lift-off hinges over their locators and dropping into position (fig.4). If any dismantling is required, use a flat headed screwdriver to release the clip on the top panel as shown in fig.4.



NOTE: It is our policy to continually improve products and as such we reserve the right to alter data, specifications and component parts without prior notice.

IMPORTANT: No liability is accepted for incorrect use of this product.

WARRANTY: Guarantee is 12 months from purchase date, proof of which will be required for any claim.

INFORMATION: For a copy of our latest catalogue and promotions call us on 01284 757525 and leave your full name and address, including postcode.



Sole UK Distributor, Sealey Group,
Kempson Way, Suffolk Business
Park, Bury St. Edmunds, Suffolk,
IP32 7AR

01284 757500

01284 703534



www.sealey.co.uk



sales@sealey.co.uk