

Thank you for purchasing a Sealey product. Manufactured to a high standard this product will, if used according to these instructions and properly maintained, give you years of trouble free performance.

**IMPORTANT: PLEASE READ THESE INSTRUCTIONS CAREFULLY. NOTE THE SAFE OPERATIONAL REQUIREMENTS, WARNINGS & CAUTIONS. USE THE PRODUCT CORRECTLY AND WITH CARE FOR THE PURPOSE FOR WHICH IT IS INTENDED. FAILURE TO DO SO MAY CAUSE DAMAGE AND/OR PERSONAL INJURY AND WILL INVALIDATE THE WARRANTY. PLEASE KEEP INSTRUCTIONS SAFE FOR FUTURE USE.**

## 1. SAFETY INSTRUCTIONS

- ✓ Always load evenly with the centre of gravity of the load as near the centre of the truck as possible.
- ✓ Obtain additional support for large or wide loads to prevent tipping.
- ✗ **DO NOT** overload the truck - see Specifications.
- ✗ **DO NOT** leave unattended, especially when loaded, unless the wheels are chocked or the truck is otherwise secured.
- ✗ **DO NOT** use truck on uneven ground and do not run over curbs or steps - use a ramp.
- ✗ **DO NOT** allow others to ride on the truck.
- ✗ **DO NOT** use the truck if any part is significantly damaged - pay particular attention to the wheels.

## 2. SPECIFICATIONS

Lightweight aluminium frame, weighs only 7kg yet has a carrying capacity of 90kg. Folding steel foot plate and telescopic handle with spring release means that trolley can be packed away in seconds. Large back support makes light work of oversized loads. Fitted with Ø150mm wheels for easy rolling over rough ground. Ideal for business and home use.

Max. Load . . . . .	90kg
Wheel Diameter . . . . .	150mm
Height Folded . . . . .	720mm
Height Extended . . . . .	1090mm
Width . . . . .	380mm
Footplate Width . . . . .	355mm
Footplate Depth . . . . .	240mm

## 3. ASSEMBLY & USE

- 3.1 Make sure the axle is clean from dust and dirt to allow free movement of the wheel.
- 3.2 Place the sleeve (fig.1.2) onto the axle (fig.1.1), as far as it will go.
- 3.3 Slide the wheel (fig.1.3) onto the axle, and complete by pushing the pin (fig.1.4) through the hole in the end of the axle.
- 3.4 Repeat the operation for the other side.

## 4. ADJUSTMENTS

- 4.1 Firstly fold down the foot plate ready to accept a load (fig.2).
- 4.2 To extend the handle push the spring loaded locking bar forward (fig.2A) and lift the handle upwards until it latches in its fully extended position.
- 4.3 To lower the handle, push the spring loaded locking bar forward and push the handle downwards until it latches in the closed position.
- 4.4 After use close the handle, fold up the foot plate and store in a safe dry place. Only use truck with handle fully closed or fully extended.

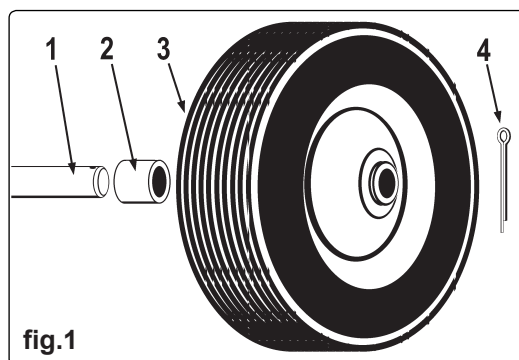


fig.1

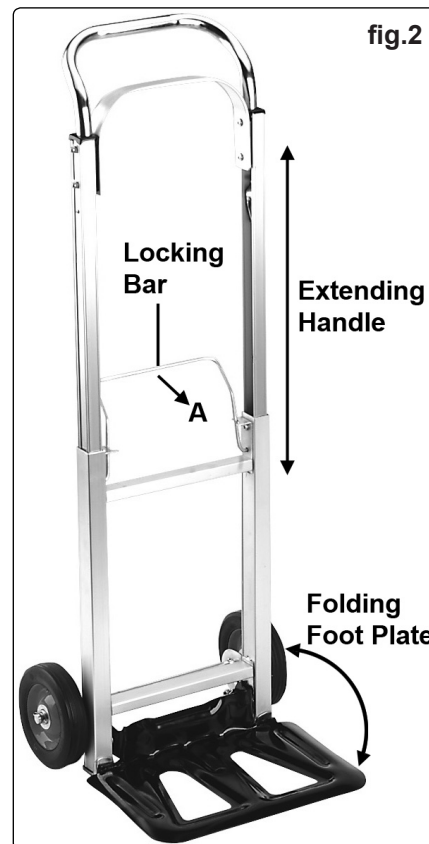


fig.2

**NOTE:** It is our policy to continually improve products and as such we reserve the right to alter data, specifications and component parts without prior notice.

**IMPORTANT:** No liability is accepted for incorrect use of this product.

**WARRANTY:** Guarantee is 12 months from purchase date, proof of which will be required for any claim.

**INFORMATION:** For a copy of our latest catalogue and promotions call us on 01284 757525 and leave your full name and address, including postcode.