

Thank you for purchasing a Sealey product. Manufactured to a high standard this product will, if used according to these instructions and properly maintained, give you years of trouble free performance.

⚠ IMPORTANT: PLEASE READ THESE INSTRUCTIONS CAREFULLY. NOTE THE SAFE OPERATIONAL REQUIREMENTS, WARNINGS & CAUTIONS. USE THE PRODUCT CORRECTLY AND WITH CARE FOR THE PURPOSE FOR WHICH IT IS INTENDED. FAILURE TO DO SO MAY CAUSE DAMAGE AND/OR PERSONAL INJURY AND WILL INVALIDATE THE WARRANTY. PLEASE KEEP INSTRUCTIONS SAFE FOR FUTURE USE.

1. SAFETY INSTRUCTIONS

- ✓ Always load evenly with the centre of gravity of the load as near the centre and rear of the plate as possible.
- ✓ Obtain additional support for large or wide loads to prevent tipping.
- x **DO NOT** overload the truck - see Specification.
- x **DO NOT** leave unattended, especially when loaded, unless the wheels are chocked or the truck is otherwise secured.
- x **DO NOT** use truck on uneven ground and do not run over curbs or steps - use a ramp.
- x **DO NOT** allow others to ride on the truck.
- x **DO NOT** use the truck if any part is damaged, paying particular attention to the wheels.

2. SPECIFICATION

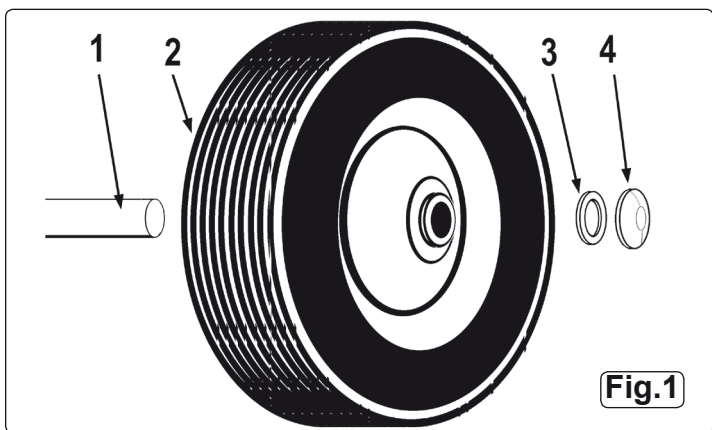
Lightweight aluminium construction, weighs only 6kg with a carrying capacity of 120kg. Fitted with Ø250mm pneumatic wheels for easy movement over rough terrain. Features composite grip handles for added comfort and stability.

| | |
|-----------------------|---------------|
| Model No. | CST979 |
| Max. Load. | 120kg |
| Wheel Diameter. | 250mm |
| Wheel Thickness. | 90mm |
| Height. | 1170mm |
| Overall Width. | 465mm |
| Platform Depth. | 200mm |



3. ASSEMBLY

- 3.1 **Wheels.** Ensure axle is clean from dust and dirt to allow free movement of the wheel.
- 3.2 Slide the wheel (Fig.1.2) onto the axle, followed by the washer (Fig.1.3), complete by pushing the dome cap (Fig.1.4) over the axle, a soft mallet may be need to seat the cap correctly.
- 3.4 Repeat for the other side.



NOTE: It is our policy to continually improve products and as such we reserve the right to alter data, specifications and component parts without prior notice.

IMPORTANT: No liability is accepted for incorrect use of this product.

WARRANTY: Guarantee is 12 months from purchase date, proof of which will be required for any claim.

INFORMATION: For a copy of our latest catalogue and promotions call us on 01284 757525 and leave your full name and address, including postcode.