

Thank you for purchasing a Sealey product. Manufactured to a high standard this product will, if used according to these instructions and properly maintained, give you years of trouble free performance.



**IMPORTANT: PLEASE READ THESE INSTRUCTIONS CAREFULLY. NOTE THE SAFE OPERATIONAL REQUIREMENTS, WARNINGS & CAUTIONS. USE THE PRODUCT CORRECTLY AND WITH CARE FOR THE PURPOSE FOR WHICH IT IS INTENDED. FAILURE TO DO SO MAY CAUSE DAMAGE AND/OR PERSONAL INJURY AND WILL INVALIDATE THE WARRANTY. PLEASE KEEP INSTRUCTIONS SAFE FOR FUTURE USE.**

## 1. SAFETY INSTRUCTIONS

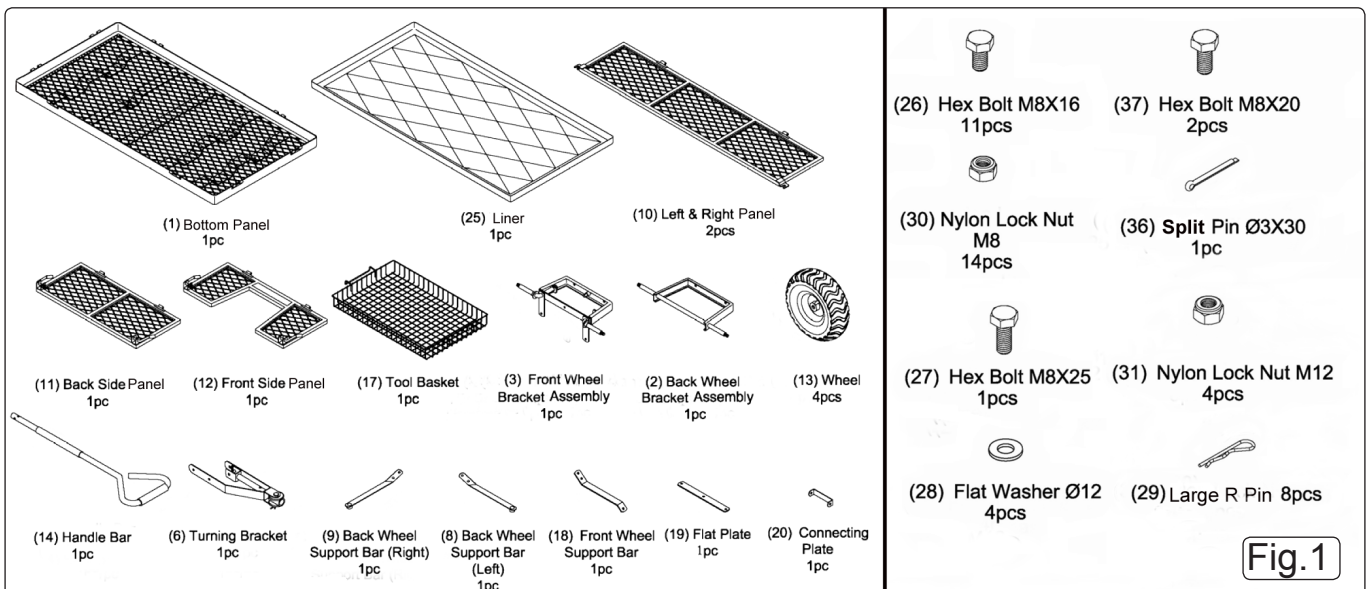
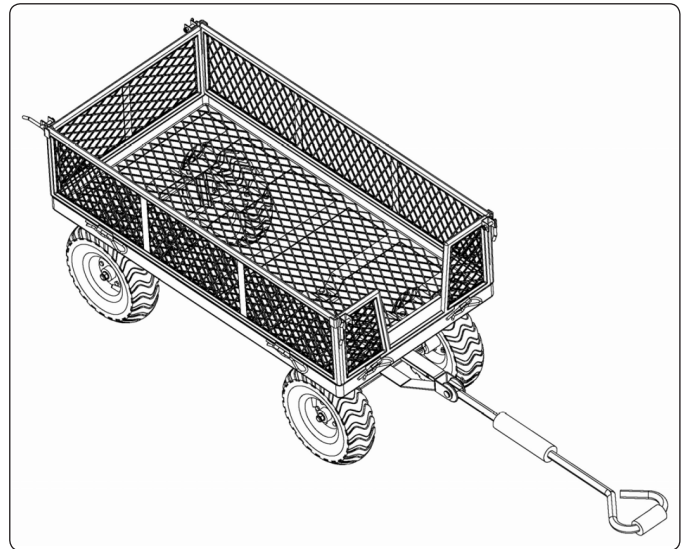
- ✓ Always distribute the load evenly over the surface of the bed of the platform truck.
- ✗ **DO NOT** leave unattended, especially when loaded, unless the wheels are chocked or the truck is otherwise secured.
- ✗ **DO NOT** use platform truck on uneven ground and do not run over kerbs or steps - use a ramp.
- ✗ **DO NOT** allow others to ride on the platform truck.
- ✗ **DO NOT** use the truck if any part is damaged, paying particular attention to the wheels. Inspect it before use each time and replace or repair damaged or worn parts immediately.
- ✓ Check tyre pressures on the platform truck on a regular basis.
- ✗ **DO NOT** over inflate the tyres. Recommended pressure is 25psi.
- ✗ **DO NOT** exceed maximum load capacity of 450kg.
- ✗ **DO NOT** allow children to play on, stand upon or climb on the cart.
- ✓ Be mindful of the location of the handle it may fall from the upright position.
- ✓ Chock the wheels when loading and unloading the cart.
- ✓ **ALWAYS** use caution when operating the platform truck. When moving it, proceed at a safe speed, especially at corners where there could be a danger of the load shifting. Extra care should be taken on inclined surfaces.
- ✗ **DO NOT** use the platform truck when you are tired or under the influence of alcohol, drugs or intoxicating medication.
- ✗ **DO NOT** store material on the platform truck for an extended period of time.

## 2. SPECIFICATION

Maximum Load Capacity: .....450kg  
 Wheel Size: ..... Ø300mm x 90mm  
 Internal Size (Length x Width x Depth): ..... 1120 x 560 x 300mm  
 Platform Height: .....390mm  
 Overall Height: .....650mm

## 3. INTRODUCTION

Heavy-duty rust resistant steel construction. Smooth steering action for easy manoeuvrability with soft rubber gripped handle and pneumatic tyres for easy transportation over the toughest terrain. All four sides drop down using locking pin function, for easy loading. Can also be used as a flatbed for transporting oversized items. Fitted with additional removable storage tray for carrying smaller items. Suitable for a variety of warehouse, office, garden and domestic applications.



## 4. ASSEMBLY

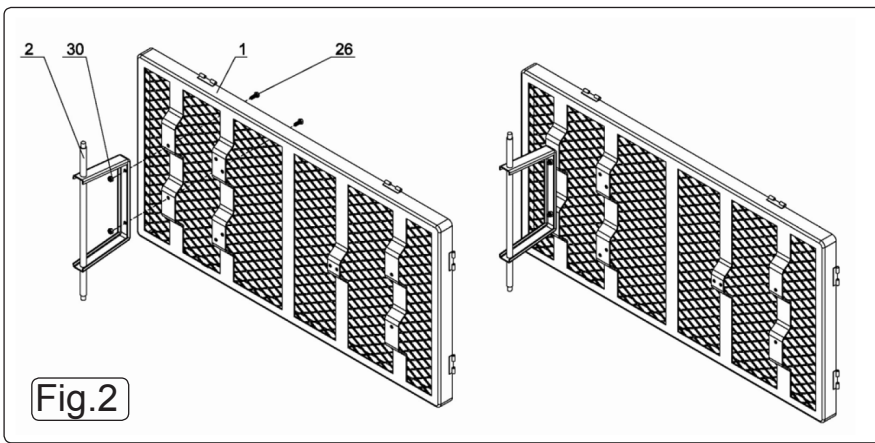


Fig.2

- 4.1. Remove the contents from the packaging and check them against the parts list overleaf (fig.1). Ensure that all parts are present and not damaged. If there are any problems, please contact your Sealey dealer.

- 4.2. **Back Wheel Bracket Assembly.**  
Attach the back wheel bracket assembly (2) to the bottom panel (1), using 2 bolts M8 x 16 (26) and 2 lock nuts M8 (30).

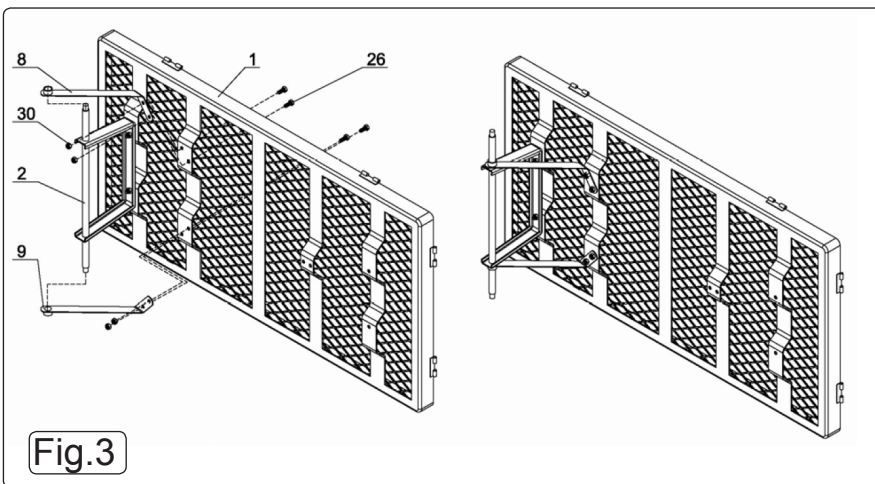


Fig.3

- 4.3. **Back wheel support bar assembly.**  
Attach the back wheel support bars, left (8) and right (9) to the back wheel bracket assembly (2) and to the bottom panel, using bolts M8 x 16 (26) and lock nuts M8 (30).

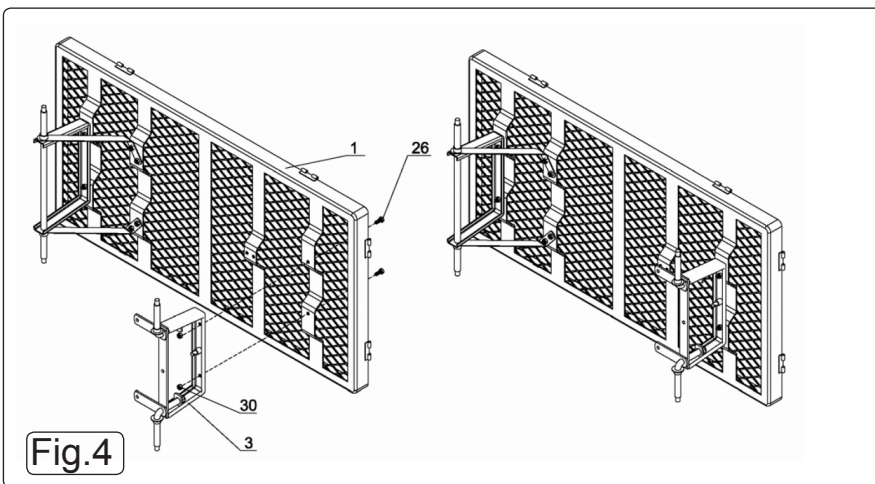


Fig.4

- 4.4. **Front wheel bracket assembly.**  
Attach the front wheel bracket assembly (3) to the bottom panel (1), using bolt M8 x 16 (26) and lock nut M8 (30).

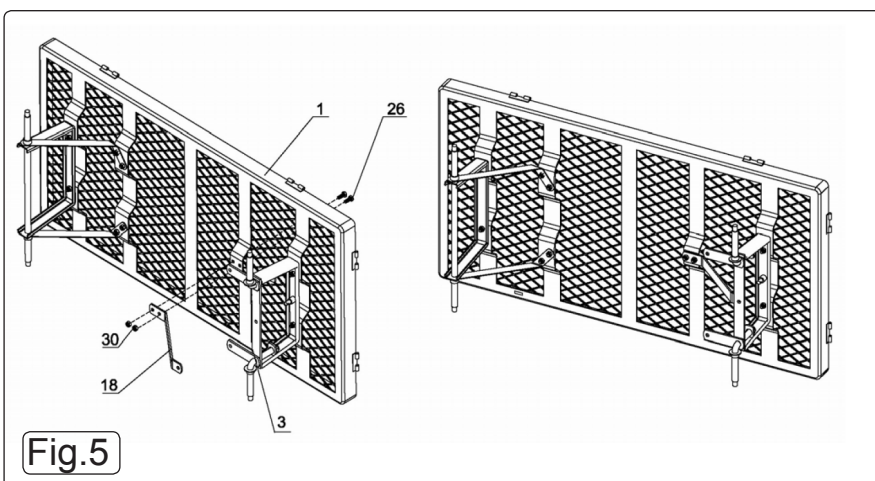
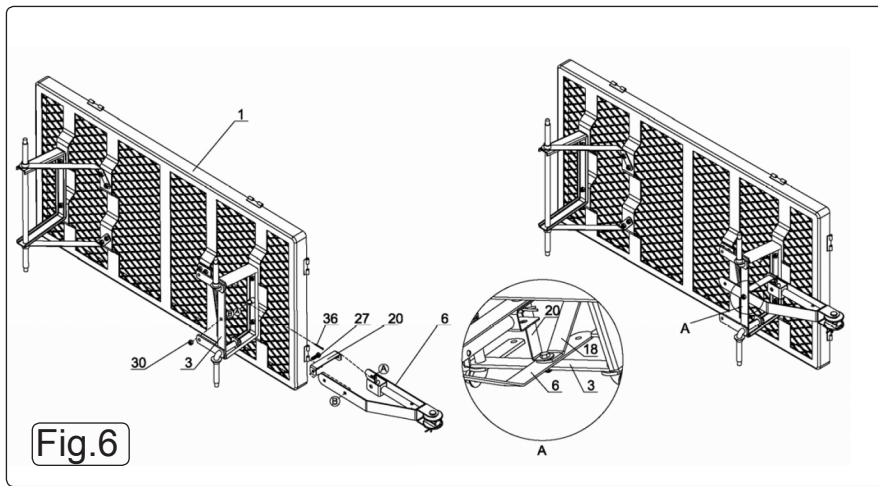


Fig.5

- 4.5. **Attach front support bar and turning fork.**  
Attach the front wheel support bar (18) to the bottom panel (1), using bolt M8 x 16 (26) and lock nut M8 (30). Do not tighten at this stage .

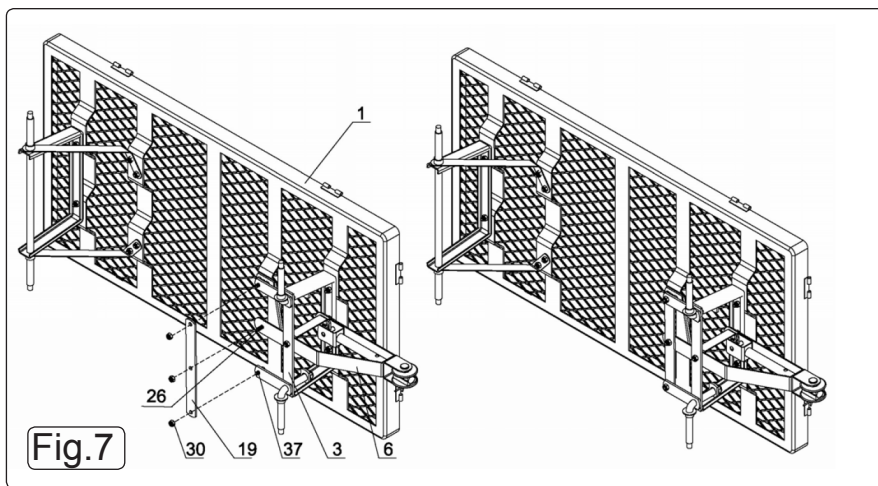




**4.6. Turning bracket and connecting plate assembly.**

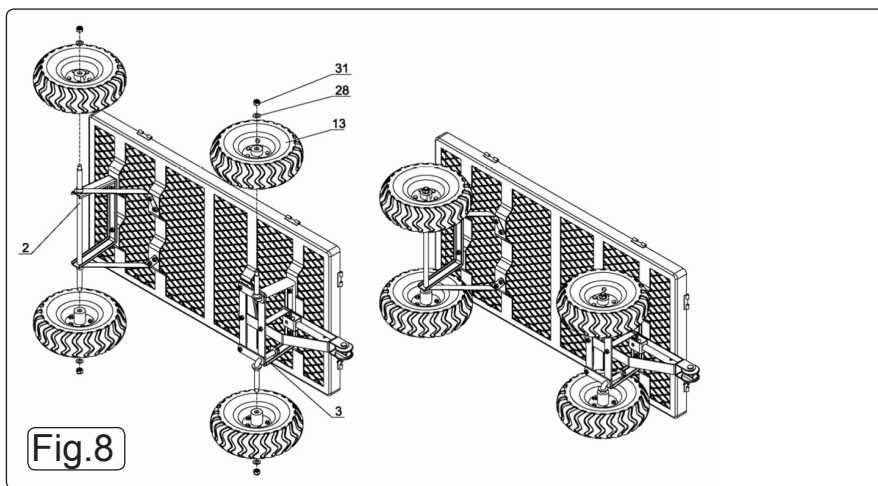
Attach the turning bracket (6) to the front wheel bracket (3), using split pin  $\text{Ø}3 \times 30$  (36).  
 Attach the connecting plate (20) to the turning bracket (6), using bolt M8 x 25 (27) and lock nut M8 (30). (Note: inset picture)  
 Tighten all the nuts and bolts from step 4.4.

Fig.6



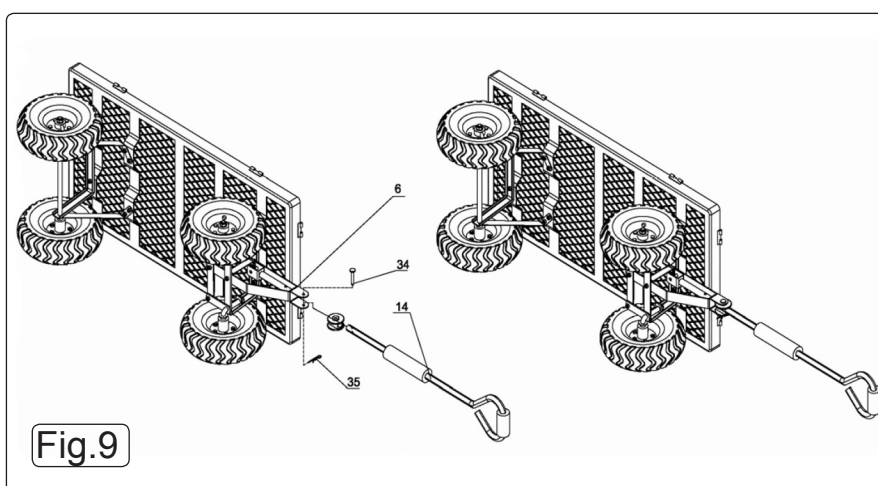
**4.7. Flat Plate Assembly.**  
 Place the flat plate (19) between the front wheel bracket (3) and the turning bracket (6). Fix both ends using bolts M8 x 20 (37) and lock nuts M8 (30), fix the centre using bolt M8 x 16 (26).

Fig.7



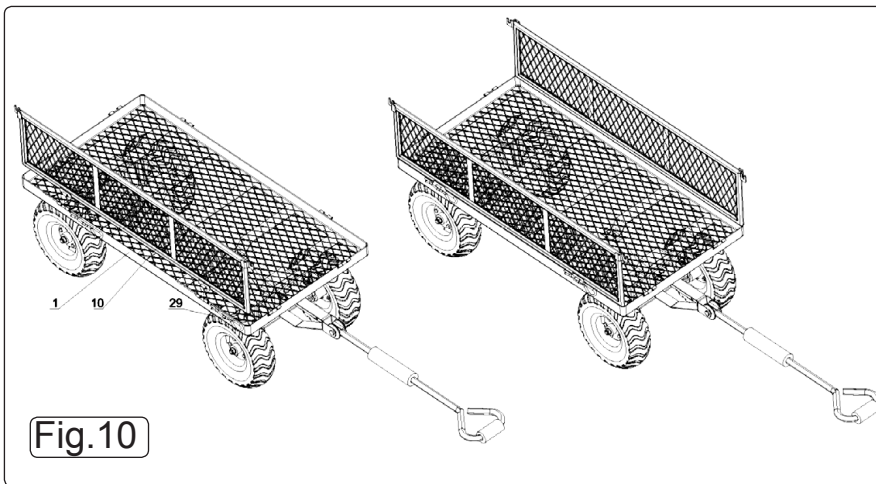
**4.8. Wheel Assembly.**  
 Place a wheel (13) on each axle and retain in place using flat washers  $\text{Ø}12$  (28) and lock nuts M12 (31).

Fig.8

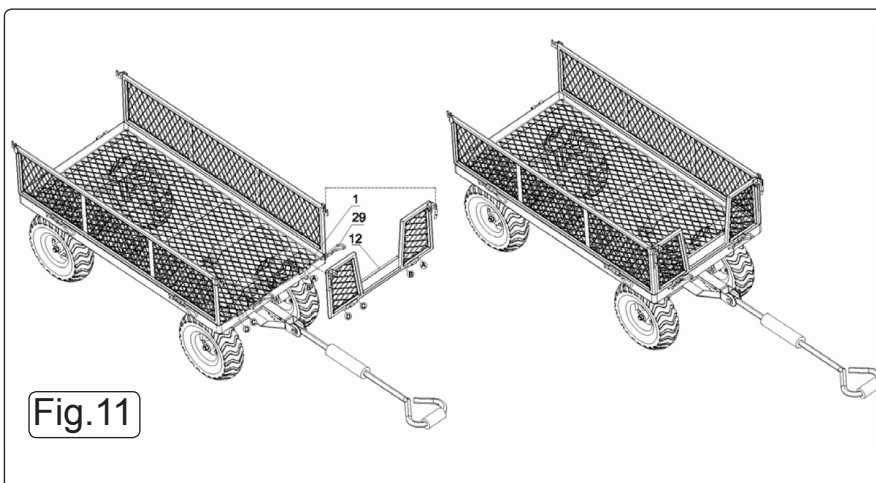


**4.9. Handle Bar Assembly.**  
 Remove the R pin (35), pull out the pivot pin (34) and take out the plastic connecting sleeve.  
 Feed the handle bar (14) through the plastic connecting sleeve, line up the holes in the sleeve and the handle bar with the turning bracket (6), insert the pivot pin (34), secure it with the R pin (35).

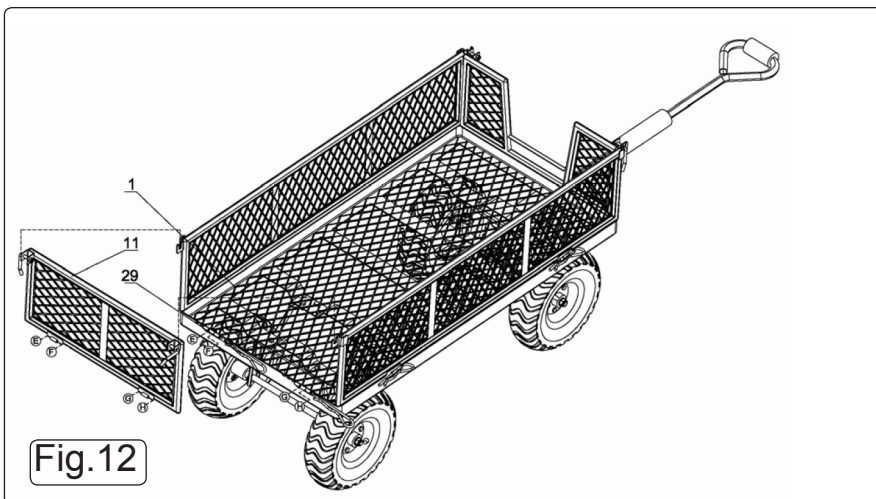
Fig.9



- 4.10. Left and right side panel assembly.**  
Connect the hinges of the left and right side panels (10) and the hinges of the bottom panel (1), using 4 x R pins (29).



- 4.11. Front side panel assembly.**  
Connect the hinge of the front side panel (12) and the hinge of the bottom panel (1), using 2 x R pins (29).



- 4.12. Back side panel assembly.**  
Connect the hinges of the back side panel (11) and the hinges of the bottom panel (1), using 2 x R pins (29). Place the liner (25) on the bottom panel and the tool basket (17) across the side panels.

## 5. MAINTENANCE

- 5.1. Periodically check all fasteners for tightness.
- 5.2. Check tyre pressures on a regular basis, **DO NOT** over inflate them - recommended pressure is 25psi.
- 5.3. Regularly clean and lightly lubricate all moving parts (i.e. axles).
- 5.4. Only use genuine Sealey parts to replace any damaged or worn parts..
- 5.5. **DO NOT** store material on the platform truck for an extended period of time.
- 5.6. Before storing the platform truck away, ensure that it is clean and dry. Store it in a safe, dry and childproof location.

**NOTE:** It is our policy to continually improve products and as such we reserve the right to alter data, specifications and component parts without prior notice.

**IMPORTANT:** No liability is accepted for incorrect use of this product.

**WARRANTY:** Guarantee is 12 months from purchase date, proof of which will be required for any claim.

**INFORMATION:** For a copy of our latest catalogue and promotions call us on 01284 757525 and leave your full name and address, including postcode.



Sole UK Distributor, Sealey Group,  
Kempson Way, Suffolk Business Park,  
Bury St. Edmunds, Suffolk,  
IP32 7AR

01284 757500

01284 703534



www.sealey.co.uk



sales@sealey.co.uk