



INSTRUCTIONS FOR:
CORDLESS LITHIUM-ION IMPACT WRENCH
1/2" Sq DRIVE 650Nm, 2 BATTERIES
MODEL No: **CP3005**

Thank you for purchasing a Sealey product. Manufactured to a high standard, this product will, if used according to these instructions, and properly maintained, give you years of trouble free performance.



IMPORTANT: PLEASE READ THESE INSTRUCTIONS CAREFULLY. NOTE THE SAFE OPERATIONAL REQUIREMENTS, WARNINGS & CAUTIONS. USE THE PRODUCT CORRECTLY AND WITH CARE FOR THE PURPOSE FOR WHICH IT IS INTENDED. FAILURE TO DO SO MAY CAUSE DAMAGE AND/OR PERSONAL INJURY AND WILL INVALIDATE THE WARRANTY. KEEP THESE INSTRUCTIONS SAFE FOR FUTURE USE.

1. SAFETY

1.1. GENERAL SAFETY

- ✓ Follow all workshop safety rules, regulations and conditions when using the wrench.
- ✓ Remove the battery pack from the wrench before servicing or performing any maintenance.
- ✓ Maintain the wrench and battery pack in good condition.
- ✓ Replace or repair damaged parts. *Use an authorised service agent and recommended parts only. Unauthorised parts may be dangerous and will invalidate the warranty.*
- ✓ Ensure the wrench is in 'neutral' before installing the battery pack.
- ✓ Keep the wrench, battery pack and charger clean for optimum performance.
- ✓ Keep the work area clean and tidy and free from unrelated materials. Ensure that there is adequate lighting.
- ✓ Ensure that battery pack is correctly fitted to the wrench handle and latched in place before operating wrench.
- ☐ **WARNING!** When working around vehicle brake systems we recommend that you wear suitable respiratory protection due to the possible presence of asbestos dust from brake linings.
- ✓ Use only impact sockets which are specifically designed for use with an impact wrench.
- ✓ Avoid unintentional starting.
- ✓ Hold the wrench securely before pressing the trigger; considerable torque reaction is generated upon starting.
- ✓ Wear approved safety eye/face shield, ear defenders and hand protection.
- ✓ Remove ill-fitting clothing. Remove ties, watches, rings and other loose jewellery and contain long hair.
- ✓ Maintain correct balance and footing. Ensure the floor is not slippery and wear non-slip shoes.
- ✓ Keep children and unauthorised persons away from the work area.
- x **DO NOT** operate the wrench if any parts are missing as this may cause failure and/or personal injury.
- x **DO NOT** use the wrench unless you have been instructed in its use by a qualified person.
- x **DO NOT** operate the wrench where there are solvent fumes or flammable gases, liquids or solids.
- x **DO NOT** leave the wrench operating unattended.
- x **DO NOT** carry wrench with your finger on the trigger. Keep direction switch in 'locked' position when not in use.
- x **DO NOT** use the wrench for a task it is not designed to perform.
- x **DO NOT** operate the wrench when you are tired or under the influence of alcohol, drugs or intoxicating medication.
- x **DO NOT** get the wrench or battery charger wet or use in damp or wet locations.
- ✓ Keep wrench and charger in the case and store in a safe, dry, childproof area where the temperature will not exceed 104°F (40°C).

1.2. BATTERY SAFETY

- ✓ Charge the battery pack prior to first use. The battery pack will have been shipped in a low charge state.
- ✓ Use only the charger provided to charge the battery pack.
- x **DO NOT** charge the battery pack when room temperature is below 50°F (10°C) or above 95°F (35°C).
- x **DO NOT** attempt recharging the pack by means of an engine generator or a DC power source.
- x **DO NOT** short-circuit the battery pack by touching both terminals at the same time with a metal object, or your fingers etc.
- x **DO NOT** store battery pack (or wrench) in locations where the temperature may exceed 104°F (40°C) e.g. in outside sheds, above heaters etc.
- ▲ **DANGER! DO NOT attempt to disassemble the battery pack. For safety and environmental reasons DO NOT discard in domestic waste or by burning. ONLY discard or recycle according to local authority regulations.**
- ☐ **WARNING! DO NOT allow a leaking battery to contact your person. If you come into contact with battery liquid take the following immediate action:**
 - ☐ a) **Skin contact:** Wash immediately with soap and water, then wash in either lemon juice or vinegar.
 - ☐ b) **Eye contact:** If acid enters eye, flush eye immediately with cool, clean running water for at least 15 minutes and seek immediate medical attention.

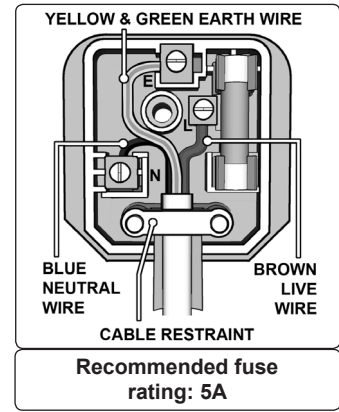
1.3. MAINS POWER ELECTRICAL SAFETY (Relating to battery charger)

- ☐ **WARNING! It is the user's responsibility to check the following:**

You must check all electrical equipment and appliances to ensure that they are safe before using. **You must** inspect power supply leads, plugs and all electrical connections for wear and damage. **You must** ensure the risk of electric shock is minimised by the installation of appropriate safety devices. An RCCB (Residual Current Circuit Breaker) should be incorporated in the main distribution board. We recommend that an RCD (Residual Current Device) is used with all electrical products. It is particularly important to use an RCD with portable products that are plugged into a supply not protected by an RCCB. If in doubt consult a qualified electrician. You may obtain an RCD by contacting your local Sealey dealer.

You must also read and understand the following instructions concerning electrical safety.
- 1.3.1. The **Electricity At Work Act 1989** requires all portable electrical appliances, if used on business premises, to be tested by a qualified person, using a Portable Appliance Tester (PAT), at least once a year.
- 1.3.2. The **Health & Safety at Work Act 1974** makes owners of electrical appliances responsible for the safe condition of the appliance and the safety of the appliance operator. **If in any doubt about electrical safety, contact a qualified electrician.**
- 1.3.3. **DO** ensure that the insulation on all cables and the product itself is safe before connecting to the mains power supply. See 1.3.1. above and use a Portable Appliance Tester (PAT).
- 1.3.4. **DO** ensure that cables are protected against short circuit and overload.
- 1.3.5. **DO** regularly inspect power supply leads, plugs and sockets for wear, damage or loose connections.


- 1.3.6. **DO** check that the voltage marked on the product is the same as the power supply to be used and check the plug is fitted with the correct capacity fuse (5A)
- 1.3.7. **DO NOT** pull or carry the appliance by the cables.
- 1.3.8. **DO NOT** pull the plug from the socket by the cable.
- 1.4. This product is fitted with European standard Schuko plug contained within a BS adaptor.
- For details regarding fitting the plug into the adaptor, see section 4.1.
- 1.4.1. If the cable or plug is damaged, replace with a 13A 3 pin plug.(see right)



Wiring a BS 1363/A UK 3 Pin Plug

If in doubt contact a qualified electrician.

- Connect the **GREEN/YELLOW** earth wire to the earth terminal 'E'.
 - Connect the **BROWN** live wire to the live terminal 'L'.
 - Connect the **BLUE** neutral wire to the neutral terminal 'N'.
- d) After wiring, check that there are no bare wires, that all wires have been correctly connected, that the cable outer insulation extends beyond the cable restraint and that the restraint is tight.

Double insulated products, which are always marked with this symbol , are fitted with live (brown) and neutral (blue) wires only. To rewire, connect the wires as indicated in diagram. **DO NOT** connect either wire to the earth terminal.

1.5. BATTERY CHARGER SAFETY

- WARNING! DO NOT attempt to charge any battery other than that supplied for the wrench. Other types of batteries may explode!**
- ✓ All mains electrical supply safety features must be followed as described in 1.3. above.
- ✓ Disconnect the charger from the mains supply when not in use.
- x **DO NOT** charge battery if room temperature is below 41°F (5°C) or above 104°F (40°C)
- x **DO NOT** expose the charger to damp or wet conditions.
- x **DO NOT** pull or carry the charger by the power lead.
- x **DO NOT** operate the charger if it has been dropped, or has received a sharp knock, or is damaged. Take the charger to an authorised agent for repair or obtain a replacement.
- x **DO NOT** dismantle the charger as this may cause damage and/or personal injury and will invalidate the warranty.
- x **DO NOT** insert foreign objects or material into the hole reserved for the battery pack.
- x **DO NOT** recharge a second battery pack immediately after charging the first. Consecutive charging will overheat the charger. Allow the unit to cool for 15 minutes before charging the next pack.
- ✓ Store the charger in the same manner as battery pack in paragraph 1.2.

2. INTRODUCTION

Powerful compact cordless impact wrench with forward and reverse control integrated into the housing for ease of use. Produces up to 650Nm (480lb.ft) torque, making this tool one of the most powerful available on the market. Suitable for removing the most stubborn wheel nuts. Features battery condition indicator, integral LED work light and variable speed control switch for added control. Suitable for workshop, bodyshop, and tyre shop applications. Supplied with two 18V Lithium-ion battery packs, and 1 hour mains charger.

3. SPECIFICATION

Model No:	CP3005
Battery:	18V 3Ah Li-ion
Drive:	1/2" Sq
No Load Speed:	1900rpm
Impact Rate:	2200bpm
Maximum Torque:	650Nm (480lb.ft)

Replacement Battery:	CP3005BP
Weight:	3kg
Noise Power:	112dB(A)
Noise Pressure:	101dB(A)
Vibration:	15.3m/s ²
Uncertainty:	1.5m/s ²



Key to fig.1

- 1..... Anvil
- 2..... Anvil Collar
- 3..... LED Worklight
- 4..... Trigger
- 5..... Forward/Reverse Selector
- 6..... Battery Pack
- 7..... Battery Release Buttons
- 8..... Charge Indicator Panel



4. OPERATION

4.1. BS ADAPTOR (fig.4)

- 4.1.1. The battery charger is supplied with a European standard Schuko plug.
To use the battery charger in the UK the BS Adaptor (fitted as standard) must be used.
- 4.1.2. Open up the adaptor and insert the Schuko plug (fig.1). Ensure its fully inserted into the connectors.
- 4.1.3. Close the adaptor around the plug, to secure the adaptor to the plug tighten the screw in the middle of the adaptor.

❑ IMPORTANT WARRANTY INFORMATION:

The battery pack fitted to this cordless tool is considered to be a consumable item and its ability to accept charge will reduce over time. We will warranty it against mechanical and electrical defect for a period of one year - this does not cover fair wear and tear. If the battery is not properly charged before first use, or regularly conditioned, its capacity will diminish. Under these circumstances we will not replace the battery pack even if it is less than one year old.
Remove battery pack from case and charge as below:

4.2. Removing/Installing Battery Pack.

❑ WARNING! DO NOT touch metal terminals.

- 4.2.1. To remove the battery from the wrench, press the release buttons on the top of battery pack (fig.1.7), withdraw pack from wrench (fig.2).
- ❑ **WARNING! DO NOT** use force when inserting the battery pack. If it does not slide in easily then it is not being inserted correctly.
- ❑ **WARNING! Ensure you read, understand and apply safety instructions before use.**



fig.3

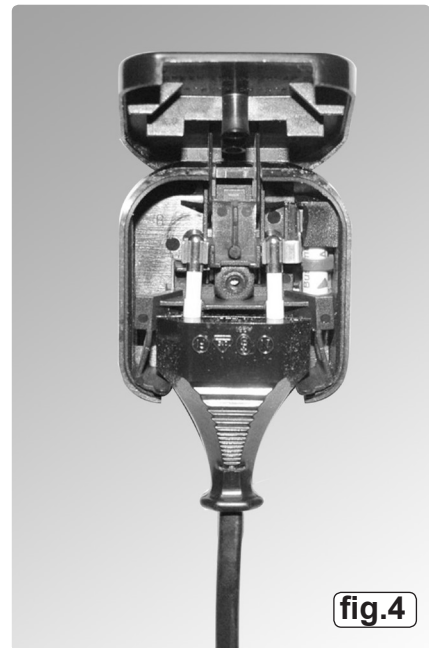


fig.4

4.3. Charging the Battery Pack. (See fig.5 for charger LED indications)

NOTE! If you try to charge a battery pack that has just been used the charging light may not come on. If this occurs, let the pack cool for a while, then re-insert and try to charge again. If you wish to charge two battery packs, allow fifteen minutes between charging to allow the charger to cool; after three consecutive charges allow one hour to cool before further use.

- 4.3.1. Plug the charger into the supply. A steady red light will show.
- 4.3.2. Slide the battery pack into the charger until the release buttons engage (fig.3).
- 4.3.3. The red and green charging lights will come on and charging will begin.
- 4.3.4. The red light flashing indicates that the battery is either too hot or too cold.
Relocate the charger to a more suitable environment.
- 4.3.5. A steady red light and flashing green light denote a fully charged battery.
- 4.3.6. A full charge should be achieved in about 60 min. Remove the battery when fully charged.
- 4.3.7. Flashing red and green LEDs indicate a battery fault.
- 4.3.8. After charging, unplug the charger from the power source.

4.4. USING THE WRENCH

- 4.4.1. Use only impact sockets which are specifically designed for use with an impact wrench. The use of normal chrome vanadium sockets is dangerous since these are more brittle and are liable to shatter.
- 4.4.2. Fit the socket to the wrench by snapping it onto the anvil (fig.1.1) over the anvil collar (fig.1.2).
- 4.4.3. Fit the battery pack to the wrench.
- 4.4.4. Select the required direction of rotation. To change direction, push Forward/Reverse Selector (fig.1.5) to the left or right. Familiarise yourself with this operation before use. **DO NOT** attempt to change the direction of rotation whilst trigger (fig.1.4) is depressed.
- 4.4.5. The speed of the wrench is proportional to the pressure applied to trigger.
- 4.4.6. When tightening, release the trigger as soon as the impact sound is heard. Take care not to over-torque small fixings.
NOTE! For critical fixings such as wheel nuts always use a calibrated torque wrench according to the vehicle manufacturer's, or product, guidelines.
- 4.4.7. The wrench has a charge indicator panel (fig.1.8) with three charge level LEDs (fig.2). The charge levels are as follows:
Green, amber, red: above 70% charged
Amber, red: between 70% and 30%
Red only: Less than 30% charged, requires recharging (see 4.2. above)

CHARGER STAND BY	Steady red light	● ○	—	Stand by
WHILST CHARGING	Steady red and green lights	● ●	≡	Charging
	Flashing red light	⚡ ○	Battery too hot or cold
CHARGING COMPLETE	Red light steady flashing green light	● ⚡	Fully charged
BATTERY FAULT	Red and green lights flashing	⚡ ●	Replace battery

fig.5

- 4.4.8. The wrench is fitted with self-protection circuitry.
 If, when the trigger is pressed, the LED flashes 5 times, an overheat has been detected. Allow the unit to cool before further use.
 The LED flashing 7 times denotes an over-current fault. In this event, the unit should be returned to either a Sealey dealer or service agent.
- 4.4.9. When the wrench is not in use, lock the trigger off by placing the forward/reverse switch in the middle position.

5. MAINTENANCE

5.1. CLEANING

Keep the outer case of the wrench clean. **DO NOT** wash with water or use solvents or abrasives. Use a damp cloth.

5.2. STORAGE

When not in use, store in a cool, dry, secure location not accessible to children.



Environmental Protection
 Recycle unwanted materials instead of disposing of them as waste. All tools, accessories and packaging should be sorted, taken to a recycling centre and disposed of in a manner which is compatible with the environment.



WEEE Regulations
 Dispose of this product at the end of its working life in compliance with the EU Directive on Waste Electrical and Electronic Equipment (WEEE). When the product is no longer required, it must be disposed of in an environmentally protective way. Contact your local solid waste authority for recycling information.



Battery Regulations
 Under the Waste Batteries and Accumulators Regulations 2009, Jack Sealey Ltd are required to inform potential purchasers of products containing batteries (as defined within these regulations), that they are registered with Valpak's registered compliance scheme. Jack Sealey Ltd's Batteries Producer Registration Number (BPRN) is BPRN00705.

NOTE: It is our policy to continually improve products and as such we reserve the right to alter data, specifications and component parts without prior notice.

IMPORTANT: No liability is accepted for incorrect use of this product.

WARRANTY: Guarantee is 12 months from purchase date, proof of which will be required for any claim.

INFORMATION: For a copy of our latest catalogue and promotions call us on 01284 757525 and leave your full name and address, including postcode.



Sole UK Distributor, Sealey Group,
 Kempson Way, Suffolk Business Park,
 Bury St. Edmunds, Suffolk,
 IP32 7AR



01284 757500



01284 703534



www.sealey.co.uk



sales@sealey.co.uk

WARNING! – Risk of Hand Arm Vibration Injury.

This tool may cause Hand Arm Vibration Syndrome if its use is not managed adequately.

This tool is subject to the vibration testing section of the Machinery Directive 2006/42/EC.

This tool is to be operated in accordance with these instructions.

Measured vibration emission value (a):15.3 m/s²

Uncertainty value (k):.1.5 m/s²

Please note that the application of the tool to a sole specialist task may produce a different average vibration emission. We recommend that a specific evaluation of the vibration emission is conducted prior to commencing with a specialist task.

A health and safety assessment by the user (or employer) will need to be carried out to determine the suitable duration of use for each tool.

NB: Stated Vibration Emission values are type-test values and are intended to be typical.

Whilst in use, the actual value will vary considerably from and depend on many factors.

Such factors include; the operator, the task and the inserted tool or consumable.

NB: ensure that the length of leader hoses is sufficient to allow unrestricted use, as this also helps to reduce vibration.

The state of maintenance of the tool itself is also an important factor, a poorly maintained tool will also increase the risk of Hand Arm Vibration Syndrome.

Health surveillance.

We recommend a programme of health surveillance to detect early symptoms of vibration injury so that management procedures can be modified accordingly.

Personal protective equipment.

We are not aware of any personal protective equipment (PPE) that provides protection against vibration injury that may result from the uncontrolled use of this tool. We recommend a sufficient supply of clothing (including gloves) to enable the operator to remain warm and dry and maintain good blood circulation in fingers etc. Please note that the most effective protection is prevention, please refer to the Correct Use and Maintenance section in these instructions. Guidance relating to the management of hand arm vibration can be found on the HSC website www.hse.gov.uk - Hand-Arm Vibration at Work.