



INSTRUCTIONS FOR:  
**CVJ BOOT TOOL - MECHANICAL**  
 MODEL NO: **BSL104**

Thank you for purchasing a Sealey product. Manufactured to a high standard, this product will, if used according to these instructions, and properly maintained, give you years of trouble free performance.

**!** **IMPORTANT: PLEASE READ THESE INSTRUCTIONS CAREFULLY. NOTE THE SAFE OPERATIONAL REQUIREMENTS, WARNINGS & CAUTIONS. USE THE PRODUCT CORRECTLY AND WITH CARE FOR THE PURPOSE FOR WHICH IT IS INTENDED. FAILURE TO DO SO MAY CAUSE DAMAGE AND/OR PERSONAL INJURY AND WILL INVALIDATE THE WARRANTY. KEEP THESE INSTRUCTIONS SAFE FOR FUTURE USE.**

**1. SAFETY**

- 1.1 GENERAL SAFETY**
- ✓ Carefully read these operating and safety instructions before using the boot tool. Keep them for future reference.
  - ✓ This tool should only be used by properly trained operators.
  - ✓ Keep the work area clean, uncluttered and ensure there is adequate lighting.
  - ✓ Maintain correct balance and footing. Ensure the floor is not slippery and wear non-slip shoes.
  - ✓ Remove ill fitting clothing. Remove ties, watches, rings, and other loose jewellery, and contain and or tie back long hair.
  - ✓ Keep children and unauthorised persons away from the working area.
  - ✓ Keep the boot tool away from fire, heat and chemicals.
  - ✗ **DO NOT** use the boot tool for any purpose other than that for which it is designed.
  - ✗ **DO NOT** operate the boot tool when you are tired, under the influence of alcohol, drugs or intoxicating medication.
  - ☐ **WARNING!** Ensure Health & Safety, local authority, and general workshop practice regulations are adhered to when using this equipment.
- 1.2. MECHANICAL SAFETY**
- ✓ Maintain the boot tool in good condition (use an authorised service agent).
  - ✓ If the tool falls or is knocked, stop operation and check for any damage i.e. cracked components.
  - ✓ Do not erase or damage any of the markings, symbols or text printed onto or moulded onto the surfaces of the boot tool.
  - ✓ In case of mechanical fault and/or breakage and/or cracks, immediately stop operation of the tool. Contact an authorised distributor.
  - ✓ Replace or repair damaged parts. Use genuine parts only. Non-authorised parts may be dangerous and will invalidate the warranty.
  - ✗ **DO NOT** operate the boot tool if any parts are damaged or missing as this may cause failure and/or personal injury.
- 1.3. OPERATIONAL SAFETY**
- ☐ **WARNING!** The boot tool **MUST NOT** be used with impact guns or drills on their hammer setting.
  - ✓ Before using the boot tool, make sure that all the boot tool parts are correctly assembled and firmly in place. **DO NOT** operate it if the arm retaining pins are not all in place.
  - ✓ Working with the boot tool requires protective equipment including safety shoes, work gloves and safety goggles. **DO NOT** bring the tool close to the face while operating.
  - ✓ When operating the boot tool, to open a CV rubber boot, turn the tool away from your face and body.
  - ✓ Keep hands clear of the moving parts when operating the boot tool. Never insert fingers into the tool.
  - ✗ **DO NOT** point the boot tool at any person and/or towards any part of the operator's body.

**2. INTRODUCTION**

Innovative tool saves time, money and frustration. Installs CVJ boots without removing drive shaft from the vehicle or the CV joint from the drive shaft. No effort and no mess! Save on labour time by up to 70% and prevent damage to CV joint. Suitable for cars and light commercial vans. Composite body with 8.5mm hex drive. Used in conjunction with drill with standard chuck. Fingers are mechanically open/closed by the rotation of the drive.

**3. SPECIFICATION**

Model No: .....**BSL104**  
 Maximum joint diameter: ..... 110mm  
 Drive: ..... 8.5mm



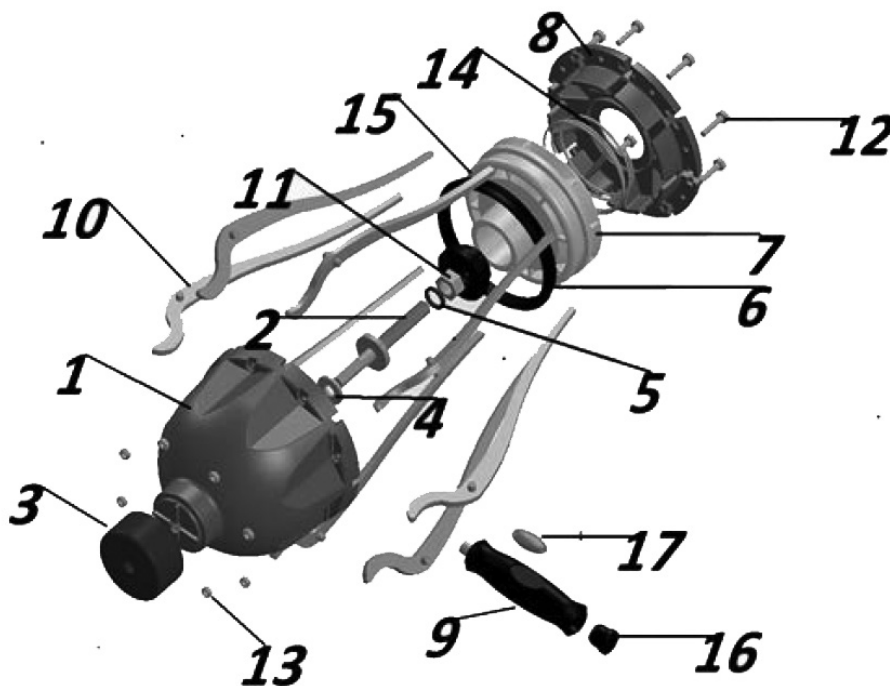
## 4. OPERATION

- ❑ **WARNING!** The boot tool **MUST NOT** be used with impact guns or drills on their hammer setting.
  - ❑ **WARNING!** The boot tool is designed for the installation of flexible rubber CV boots only and should be used with no other products and for no other purpose.
- 4.1. Ensure that hammer action is not selected on the drill.
  - 4.2. Fit the hexagonal shaft into the chuck of the drill and then tighten.
  - 4.3. Slide the boot onto the metal fingers, large end first. Settle the boot as far as possible onto the fingers. To fit a boot to an inner joint, turn the boot inside out before sliding it onto the fingers.
  - 4.4. Hold boot tool and drill firmly and operate the drill in a anticlockwise direction. There may be a slight torque reaction as the drill starts.
  - 4.5. Let the fingers open enough to pass over the joint. Keep hands clear of moving parts.
  - 4.6. With the fingers open push boot tool over the CV joint. Reverse the drill and close the arms.
  - 4.7. Slide the boot onto the drive shaft and withdraw the boot tool, leaving the boot behind.
  - 4.8. Detach the drill and store the boot tool and drill safely.
  - 4.9. Complete the boot installation in the normal way.

## 5. MAINTENANCE

- 5.1. **DO NOT** attempt to clean or repair the boot tool whilst a drill is connected.
- 5.2. Routine maintenance is limited to cleaning and inspection for damage.
- 5.3. For any repairs, use only genuine spare parts available from your Sealey dealer.

Item	Description	Qty	
1	BSL104.01	Main Body	1
2	BSL104.02	Threaded Bar	1
3	BSL104.03	Rubber Cover	1
4	BSL104.04	Thrust Bearing	1
5	BSL104.05	Leather Washer	1
6	BSL104.06	Piston Adapter	1
7	BSL104.07	Piston	1
8	BSL104.08	Top	1
9	BSL104.09	Handle	1
10	BSL104.10	Finger	8
11	BSL104.11	M12 nut	1
12	BSL104.12	M5 Bolt Set	8
13	BSL104.13	M5 Nut	8
14	BSL104.14	Conical Spring	1
15	BSL104.15	U-seal	1
16	BSL104.16	Plug insert	1
17	BSL104.17	Dome label	1



### Environmental Protection.

Recycle unwanted materials instead of disposing of them as waste. All tools, accessories and packaging should be sorted, taken to a recycle centre and disposed of in a manner which is compatible with the environment.

Parts support is available for this product. To obtain a parts listing and/or diagram, please log on to [www.sealey.co.uk](http://www.sealey.co.uk), email [sales@sealey.co.uk](mailto:sales@sealey.co.uk) or telephone 01284 757500.

**NOTE:** It is our policy to continually improve products and as such we reserve the right to alter data, specifications and component parts without prior notice.

**IMPORTANT:** No liability is accepted for incorrect use of this product.

**WARRANTY:** Guarantee is 12 months from purchase date, proof of which will be required for any claim.

**INFORMATION:** For a copy of our latest catalogue and promotions call us on 01284 757525 and leave your full name and address, including postcode.



Sole UK Distributor, Sealey Group,  
Kempson Way, Suffolk Business Park,  
Bury St. Edmunds, Suffolk,  
IP32 7AR

☎ 01284 757500

☎ 01284 703534



[www.sealey.co.uk](http://www.sealey.co.uk)



[sales@sealey.co.uk](mailto:sales@sealey.co.uk)