

Thank you for purchasing a Sealey product. Manufactured to a high standard this product will, if used according to these instructions and properly maintained, give you years of trouble free performance.



IMPORTANT: PLEASE READ THESE INSTRUCTIONS CAREFULLY. NOTE THE SAFE OPERATIONAL REQUIREMENTS, WARNINGS & CAUTIONS. USE THE PRODUCT CORRECTLY AND WITH CARE FOR THE PURPOSE FOR WHICH IT IS INTENDED. FAILURE TO DO SO MAY CAUSE DAMAGE AND/OR PERSONAL INJURY, AND WILL INVALIDATE THE WARRANTY. PLEASE KEEP INSTRUCTIONS SAFE FOR FUTURE USE.

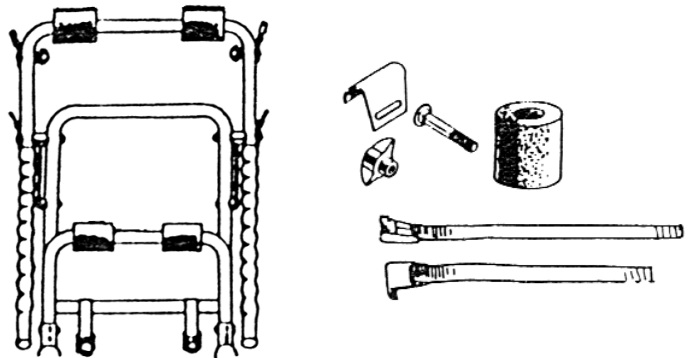
1. SAFETY INSTRUCTIONS

- x **DO NOT** use the cycle carrier if any parts are missing or damaged as this may cause failure or possible personal injury.
- **WARNING!** Due to the variety in design of vehicles & cycles, it is the users full responsibility to ensure no damage occurs whilst using this cycle carrier. Correct attachment of carrier to a vehicle is therefore critical and is beyond control of the manufacturer, distributor, or supplier.
- **WARNING!** The user must secure the carrier and any cycles to be carried properly, checking the security frequently when in use.
- ✓ Use strong, good quality tie restraints for securing cycles to the carrier. **DO NOT** use string, or elasticated straps.
- ✓ If the load obscures the vehicle registration plate or lights fit an auxiliary number plate and/or lighting system.
- ✓ Avoid damage caused by hot exhaust fumes do not position cycles directly next to the vehicle exhaust, especially the bicycle tyres. If necessary fit an exhaust deflector.
- ✓ Ensure that bicycles do not come into contact with the vehicle bodywork and provide protection as required.
- ✓ For hatchbacks and estate vehicles ensure the foam protection pads make contact should the carrier's arms rest on the rear window.
- ✓ For hatchback vehicles with a glass edge you must use adaptor kit model no BS3/1 and ensure the window is protected by the kits pads.
- ✓ This carrier is designed to carry 3 bikes or 35kg maximum. Check the vehicle manufacturer's specification to ensure that you do not overload the rear hatch door.
- **WARNING!** Remove any loose objects from the bikes i.e pumps, bottles etc.
- **WARNING!** Avoid any protrusions beyond the side of the car as these may present a risk of injury to passers-by.
- x **DO NOT** use the cycle carrier for any purpose other than for which it is designed.
- x **DO NOT** strap any other items to the carrier, only bicycles.
- **WARNING!** Drive carefully - Be aware of cross winds, sudden braking or hard cornering. Reduce speed accordingly when using carrier.
- **WARNING!** This carrier is designed for temporary use only. Remove it when not in use, or before going through a car wash. Before use, check the carrier for security of fittings or any sign of wear and tear. Replace any worn or damaged parts.
- **WARNING!** Remember the driver of the vehicle is responsible for the security and safety of the load carried.

2. CONTENTS

CYCLE CARRIER PARTS

1. Securing bolts x 2. } loose items as per fig 2.
2. Hand nut x 4
3. Frame/vehicle protection pads x 4.
4. Main frame.
5. Angle brackets for towing eye or chassis x 4.
6. Frame/bike protection pads x 4.
7. Fixing straps x 6.



3. CARRIER ASSEMBLY

Unpack product and check contents against the above list. Should there be any damaged or missing parts contact your supplier immediately.

The cycle carriers main frame comes already assembled.
The following parts must however be correctly fitted. (No tools are required).

- 3.1 Unfold main frame (fig.1)
- 3.2 Insert securing bolts (fig.2 item 1) through the main frame and secure with hand nuts item 2.
- 3.3. Locate the angle brackets (fig.1.item 1) over the frame bolts and secure with hand nuts (fig.2 item 2).
- 3.4. The leading ends of the fixing straps must be inserted through the carrier buckles as illustrated in fig 3 A,B,C.

fig.1

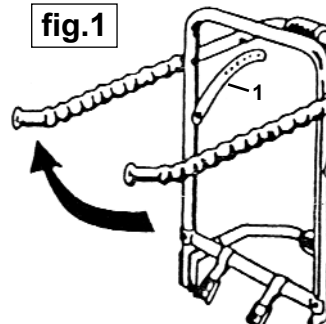


fig.2

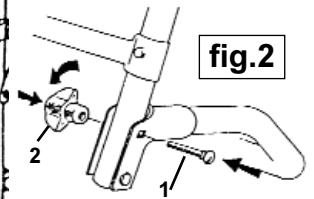
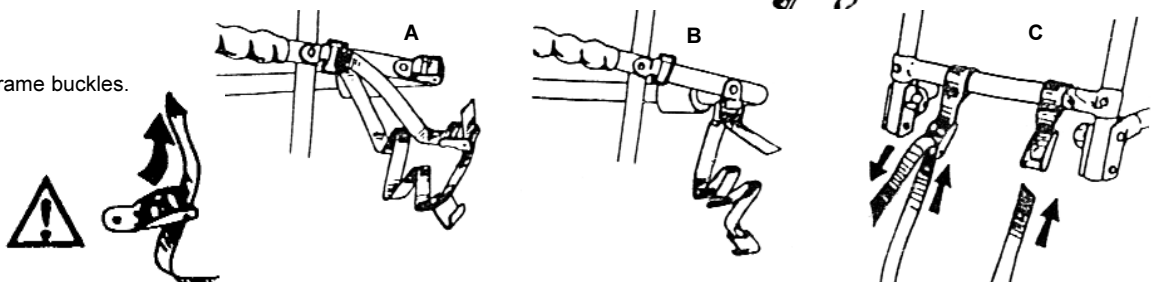


fig.3

Frame buckles.

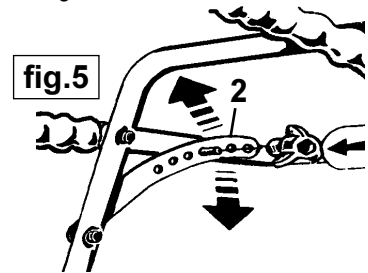
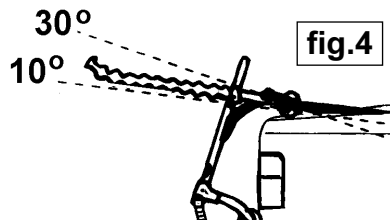
The straps must be inserted into the buckle this way.



4. FIXING CARRIER TO VEHICLE

4.1 PREPARING THE CARRIER.

- 4.1.1 Position the carrier on the rear of your vehicle and adjust the carrier arms as shown in (fig.4 and fig.5).
- 4.1.2 The arms should be at an angle of between 10 and 30 degrees above the horizontal (fig.4).
- 4.1.3 To do this remove the hand nuts (fig.5 item 2) re-position the angle bracket and re-secure using the hand nuts.



4.2 SALOON CARS

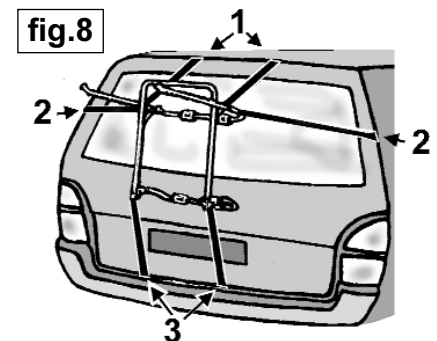
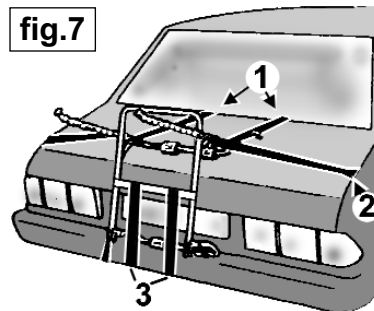
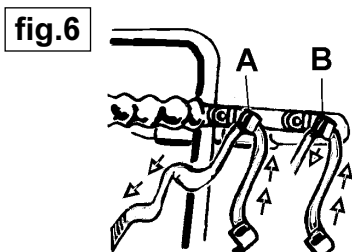
When securing carrier to the vehicle ensure that straps are not twisted. Each strap must be progressively tightened alternately and equally, ensuring the carrier is centrally positioned. Attach straps in order: top, bottom, and then sides as follows:

- 4.2.1. To fix upper straps to vehicle, we recommend that you hook strap (fig 6 item B) onto the top edge of the boot lid, (fig.7 item 1) and equally tighten the straps sufficiently to hold the carrier in place.
- 4.2.2. Use the angle brackets (see content item 5) to attach the lower straps to the lower edge of the boot lid, towing eye, or other adequate securing point on the vehicle bodywork (refer to manufacturer's hand book) (fig 7. item 3) and equally tighten the straps.
- 4.2.3. We recommend you hook straps (fig 6 item A) to a suitable position on the side of the boot lid (fig 7. item 2) and equally tighten the straps.
- 4.2.4. Adjust all straps to position carrier ensuring the protection pads (see content item 3) are firmly in contact with the vehicle bodywork.
- 4.2.5. Re-check all straps and fully tighten.
- 4.2.6. Place the bike protection pads (see content item 6) on the frame to protect bicycles and frame.

4.3. HATCHBACKS & ESTATE CARS.

When securing carrier to the vehicle ensure that straps are not twisted. Each strap must be progressively tightened alternately and equally, ensuring the carrier is centrally positioned. Attach straps in following order top, bottom, and then sides as follows:

- 4.3.1. To fix upper straps to vehicle, we recommend that you hook straps (fig 6 item A) onto the top edge of the tail gate or door, (fig.8 item 1), and equally tighten the straps sufficiently to hold the carrier in place.
- WARNING!** For vehicles with a glass edge to the top of the tail gate or door, use the BS3/1 adaptor, available as an optional extra.
- 4.3.2 Tighten the straps sufficiently to hold the cycle carrier in place.
- 4.3.3. Use the angle brackets (see content item 5) to attached the lower straps to the lower edge of the tail gate, door, towing eye, or other adequate securing point on the vehicle bodywork (refer to manufacturer's hand book) (fig 8. item 3) and equally tighten the straps.
- 4.3.4. We recommend you hook straps (fig 6 item B) to a suitable position on the side of the boot lid (fig 8. item 2) and equally tighten the straps.
- 4.3.5. Adjust all straps to position carrier ensuring the protection pads (see content item 3) are firmly in contact with the vehicle bodywork.
- 4.3.6. Re-check all straps and fully tighten.
- 4.3.7. Place the bike protection pads (see content item 6) on the frame to protect bicycles and frame.



5. PLACING CYCLES ON CARRIER

- 5.1 When placing bicycles (max. of 3) onto the carrier support arms, place them in opposite directions. To avoid damage do not position them directly next to the vehicle exhaust, especially the bicycle tyres. Secure bicycles to the carrier with suitable ties or straps (not provided) DO NOT use string or elasticated straps. Ensure that the bicycles do not come in contact with the vehicle bodywork.
- 5.2. Ensure that the protection pads are in place and adjust if necessary to protect the bicycles rubbing against the cycle carrier.
- 5.3. When you have secured the bicycles on the carrier, check and re-tighten all the straps and tie off the surplus lengths of strap for extra security and to prevent the loose ends flapping.





WARNING! Remember the driver of the vehicle is responsible for the security and safety of the load carried. Check the tension of all straps and security of the bicycles frequently during your journey. If your lights or number plate are obscured, you must fit an auxiliary number plate and/or lighting system. Contact your local Sealey dealer for details.

NOTE: It is our policy to continually improve products and as such we reserve the right to alter data, specifications and component parts without prior notice.

IMPORTANT: No liability is accepted for incorrect use of this product.

WARRANTY: Guarantee is 12 months from purchase date, proof of which will be required for any claim.

INFORMATION: For a copy of our catalogue and latest promotions call us on 01284 757525 and leave your full name, address and postcode.

	Sole UK Distributor	 01284 757500	 www.sealey.co.uk
	Sealey Group, Bury St. Edmunds, Suffolk.	 01284 703534	