

Thank you for purchasing a Sealey product. Manufactured to a high standard this product will, if used according to these instructions and properly maintained, give you years of trouble free performance.

IMPORTANT: PLEASE READ THESE INSTRUCTIONS CAREFULLY. NOTE THE SAFE OPERATIONAL REQUIREMENTS, WARNINGS & CAUTIONS. USE THE PRODUCT CORRECTLY AND WITH CARE FOR THE PURPOSE FOR WHICH IT IS INTENDED. FAILURE TO DO SO MAY CAUSE DAMAGE AND/OR PERSONAL INJURY AND WILL INVALIDATE THE WARRANTY. PLEASE KEEP INSTRUCTIONS SAFE FOR FUTURE USE.

1. SAFETY INSTRUCTIONS

GENERAL SAFETY.

- ❑ **WARNING!** Ensure Health & Safety, local authority, and general workshop practice regulations are adhered to when using this equipment.
- ❑ **WARNING! TRAPPING DANGER** – Keep hands and fingers away from the sprockets and duplex chain.
- ✓ Keep the work area clean, uncluttered and ensure there is adequate lighting.
- ✓ Maintain correct balance and footing. Ensure the floor is not slippery and wear non-slip shoes.
- ✓ Remove ill-fitting clothes. Remove ties, watches, rings, other loose jewellery. Contain and/or tie back long hair.
- ✓ Wear appropriate protective clothing.
- ✓ Familiarise yourself with the applications, limitations and potential hazards of the vehicle lift.
- ✗ **DO NOT** use to achieve a task the vehicle lift was not designed to perform.
- ✗ **DO NOT** allow untrained persons to use the vehicle hydraulic lift.

PRE OPERATIONAL SAFETY.

- ✓ Ensure adequate level space around the vehicle for the operator and the lift.
- ✓ Apply grease, if not apparent, to the carriage rollers, main upright guides, sprockets and duplex chain to assist the smooth action of the lifting and lowering.
- ✗ **DO NOT** operate the vehicle lift if parts are damaged or missing as this may cause failure and/or personal injury.
- ✓ Before commencing lift, make a visual inspection of the vehicle lift to ensure there is no sign of fractured welds, bent adaptors or loose fixings. If found, do not use the unit and refer to your local Sealey dealer for advice and replacement parts. Tighten loose fixings.
- ✓ Before commencing lift ensure all vehicle tyres are correctly inflated and the vehicle sills and bodywork is structurally sound.
- ✓ Before commencing lift ensure vehicle wheels are locked, chocked or hand braked.

OPERATIONAL SAFETY.

- ▲ **DANGER! DO NOT** put any limb beneath vehicle whilst lifting or lowering. **Always** insert safety stop bar when the vehicle is raised to working height. The stop bar **must** take the load not the hydraulics.
- ✓ After lifting to working height insert safety stop bar and lower load to bear on the stop as per instructions in later sections 6.3 and 6.4.

POST OPERATIONAL SAFETY.

- ✓ When not in use, clean and store the vehicle lift in a safe, dry, childproof location.
- ✓ Maintain the vehicle lift in good condition. Replace or repair damaged parts. *Use genuine parts only. Unauthorised parts may be dangerous and will invalidate the warranty.*

2. INTRODUCTION

2.1 Wheeled heavy-duty vehicle lift offers fast, easy lifting and lowering, with or without an air supply. Fitted with an air/hydraulic motor for easy operation, or, if an air line is not available it can be operated using the integral foot pump. Includes adaptors to lift via wheel or body. This specifically designed vehicle lift is a perfect addition to any busy workshop or repair centre to raise a vehicle off the floor quickly and safely. It can be used for lifting cars, 4x4s and vans. Vehicles can be lifted from the side, front, back or wheels with the supplied adaptors. The lift offers significant assistance, bringing vehicles into an ergonomic working position. Ideal for a wide variety of applications including welding, grinding and painting.

3. TECHNICAL SPECIFICATION

Model No:	AVR1500FP
Maximum Load:	1500kg
Maximum Lift Height:	995mm
Overall Height:	1315mm
Overall Width:	705mm
Overall Length:	990mm
Locking Spacing:	80mm
Locking Positions:	5
Weight:110kg

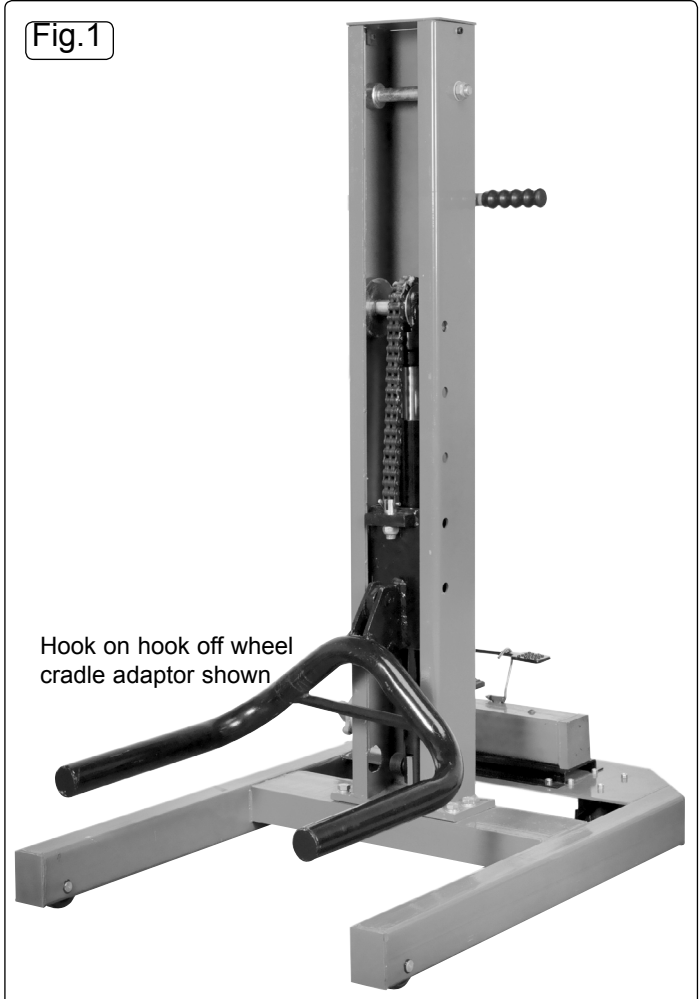


Fig. 1

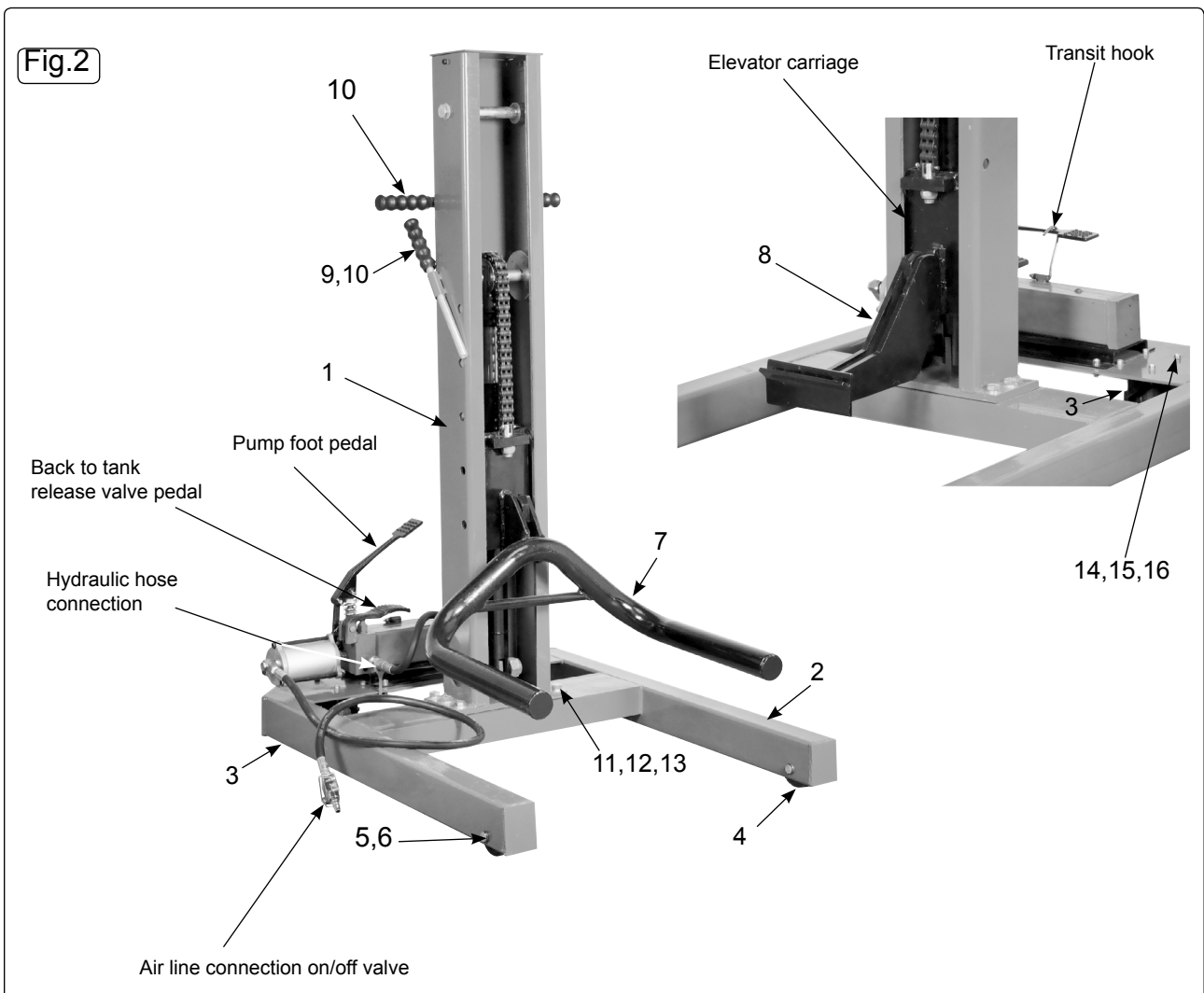
Hook on hook off wheel cradle adaptor shown

4. PARTS AND ASSEMBLY

Item	Description	Qty
1	Vertical pillar assy c/w elevator carriage and hydraulic connector hose	1
2	Base frame assy c/w air line connection and hydraulic system	1
3	Swivel castors	2
4	Fixed roller castors	2
5	Roller spindles Ø16	2
6	Circlips Ø16	4
7	Wheel cradle adaptor	1
8	Body lift adaptor	1
9	Stop bar	1
10	Handle grips Ø15	3
11	Hexagon screw M12	6
12	Hexagon nut M12	6
13	Plain washer Ø12	6
14	Socket head cap screws M6	8
15	Hexagon nut M6	8
16	Plain washer Ø6	8

4.1 Assembly

- 4.1.1 Remove contents from packaging and display contents. Check with above list and in the unlikely event of missing or damaged parts contact your Sealey dealer immediately. Some components are pre-assembled, in particular (items 1 and 2).
- 4.1.2 If not pre-assembled fit castors (item 3) to base frame (item 2) with fixings (items 14,15 and 16). Also roller castors (item 4) with spindles (item 5) and retain with circlips (item 6). The base frame needs to be supported and on an edge in this process.
- 4.1.3 With assistance, bolt the vertical pillar (item 1) to base frame (item 2). It will be necessary to do this with the vertical pillar horizontal and the base frame on an edge. Tighten the fixings (items 11,12 and 13) to a minimum torque of 60NM.
- 4.1.4 Stand the unit upright on a flat level surface and connect the hydraulic hose from the vertical pillar to the pump as shown in (fig.2).
- 4.1.5 Place the stop bar (item 9) with grip fitted (item 10) into its sleeve on the vertical pillar. Fit the other two grips to the handlebars also on the pillar.
- 4.1.6 Release the foot pump pedal from the transit hook.
- 4.1.7 Adaptors (items 7 and 8) hook on and hook off the duplex chain lift carriage as and when required.



5. AIR SUPPLY (IF AVAILABLE)

5.1 Ensure the air supply valve (fig.2) is in the "Off" position before connecting to the air supply. The air/hydraulic lift requires a minimum air pressure of **psi (*.*bar) to operate.

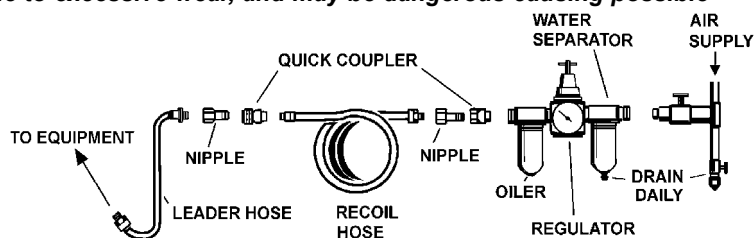
WARNING! Ensure air supply is clean and does not exceed **psi (*.*bar). Too high an air pressure and unclean air will shorten the life of the unit due to excessive wear, and may be dangerous causing possible damage and/or personal injury.

5.2 Drain the air supply tank daily and clean the air inlet filter screen weekly.

5.3 For recommended supply, see diagram to right.

5.4 Line pressure should be increased to compensate for unusually long air hoses (over 8 metres).

5.5 Keep hose away from heat, oil and sharp edges. Check hoses for wear and make certain that all connections are secure.



6. OPERATION

6.1 Test run

6.1.1 Before each use, check the vehicle lift is functioning correctly and ensure it is not damaged or worn.

6.1.2 With the air line connected operate the lift valve to trial elevate, close the valve to stop. Lower the lift by operating the hydraulic release valve pedal. If there is no air line, elevate by pumping the foot pedal. Lower the lift by operating the hydraulic release valve pedal.

6.2 Lifting the vehicle

6.2.1 Lock, chock and handbrake vehicle wheels as required. Remove any objects left on the boot lid, bonnet and roof.

6.2.2 The vehicle lift assembly is mounted on four castors, two of which are swivel to enable precise alignment with the area to be lifted. Handlebars mounted at shoulder height on the vertical pillar offers the assembly manoeuvrability.

6.2.3 Always start with the lift at its lowest position and decide whether a wheel or body lift is required. Fit the wheel cradle adaptor or the body lift adaptor.

6.3 The wheel cradle adaptor

6.3.1 Check the tyres on the vehicle are correctly inflated.

6.3.2 With the wheel cradle adaptor hooked on to the elevator carriage, guide the cradle arms centrally and squarely toward the target wheel.

6.3.3 The closer to the car body the better, provided the wheel registers fully on the parallel portion of the cradle arms.

6.3.4 With the air line connected operate the lift valve to trial elevate and then to the required height, close the valve to stop. Alternatively if there is no air supply use the foot pump situated at the rear of the unit. Insert the safety stop bar at the nearest position below the adaptor hook up block on the carriage and lower the lift by operating the hydraulic release valve pedal until the load is taken by the stop bar.

6.4 The body lift adaptor

6.4.1 Check the tyres on the vehicle are correctly inflated.

6.4.2 An assessment must be made of the structural integrity of the vehicle jacking point. The body lift adaptor is designed for body sill and seam engagement and a trial fitting by hand to the area to be lifted is recommended.

6.4.3 With the lift adaptor hooked on to the elevator carriage, guide the adaptor groove centrally and squarely toward the vehicle jacking point seam.

6.4.4 With the air line connected operate the lift valve to trial elevate and then to the required height, close the valve to stop. Alternatively if there is no air supply use the foot pump situated at the rear of the unit. Insert the safety stop bar at the nearest position below the adaptor hook up block on the carriage and lower the lift by operating the hydraulic release valve pedal until the load is taken by the stop bar.

7. MAINTENANCE

7.1 Before each use, check the vehicle lift to ensure it is not damaged or worn. If in any doubt **DO NOT** use the unit. Remove it from service immediately and contact your local Sealey dealer for advice/repairs.

7.2 Refilling the hydraulic system with oil is rarely necessary but the level should be checked in the event of a loss of performance. To check oil level, ensure the ram is fully lowered, remove filler plug and check that level is within 10mm of filler hole. Add a good quality jack oil, such as SEALEY HYDRAULIC JACK OIL.

WARNING: DO NOT use brake fluid, or any fluid other than hydraulic jack oil as this will cause serious damage to the jack and will invalidate the warranty!

Parts support is available for this product. To obtain a parts listing and/or diagram, please log on to www.sealey.co.uk, email sales@sealey.co.uk or phone 01284 757500.

IMPORTANT: NO RESPONSIBILITY IS ACCEPTED FOR INCORRECT USE OF THIS PRODUCT.

Hydraulic products are only repaired by local service agents. We have service/repair agents in all parts of the UK.

DO NOT RETURN THE PRODUCT TO US. Please telephone us on 01284 757500 to obtain the address and phone number of your local agent. If product is under guarantee please contact your dealer.

De-commissioning product

Should the product become completely unserviceable and require disposal, draw off the oil into an approved container and dispose of the product and the oil according to local regulations.

NOTE: It is our policy to continually improve products and as such we reserve the right to alter data, specifications and component parts without prior notice.

IMPORTANT: No liability is accepted for incorrect use of this product.

WARRANTY: Guarantee is 12 months from purchase date, proof of which will be required for any claim.

INFORMATION: For a copy of our latest catalogue and promotions call us on 01284 757525 and leave your full name and address, including postcode.



Sole UK Distributor, Sealey Group,
Kempson Way, Suffolk Business Park,
Bury St. Edmunds, Suffolk,
IP32 7AR

01284 757500

www.sealey.co.uk

01284 703534

sales@sealey.co.uk