

Thank you for purchasing a Sealey product. Manufactured to a high standard this product will, if used according to these instructions and properly maintained, give you years of trouble free performance.

IMPORTANT: PLEASE READ THESE INSTRUCTIONS CAREFULLY. NOTE THE SAFE OPERATIONAL REQUIREMENTS, WARNINGS & CAUTIONS. USE THE PRODUCT CORRECTLY AND WITH CARE FOR THE PURPOSE FOR WHICH IT IS INTENDED. FAILURE TO DO SO MAY CAUSE DAMAGE OR PERSONAL INJURY, AND WILL INVALIDATE THE WARRANTY. PLEASE KEEP INSTRUCTIONS SAFE FOR FUTURE USE.

The use of symbols in this document is to attract your attention to possible danger. The symbols and warnings themselves do not eliminate any danger, nor are they substitutes for proper accident prevention measures.

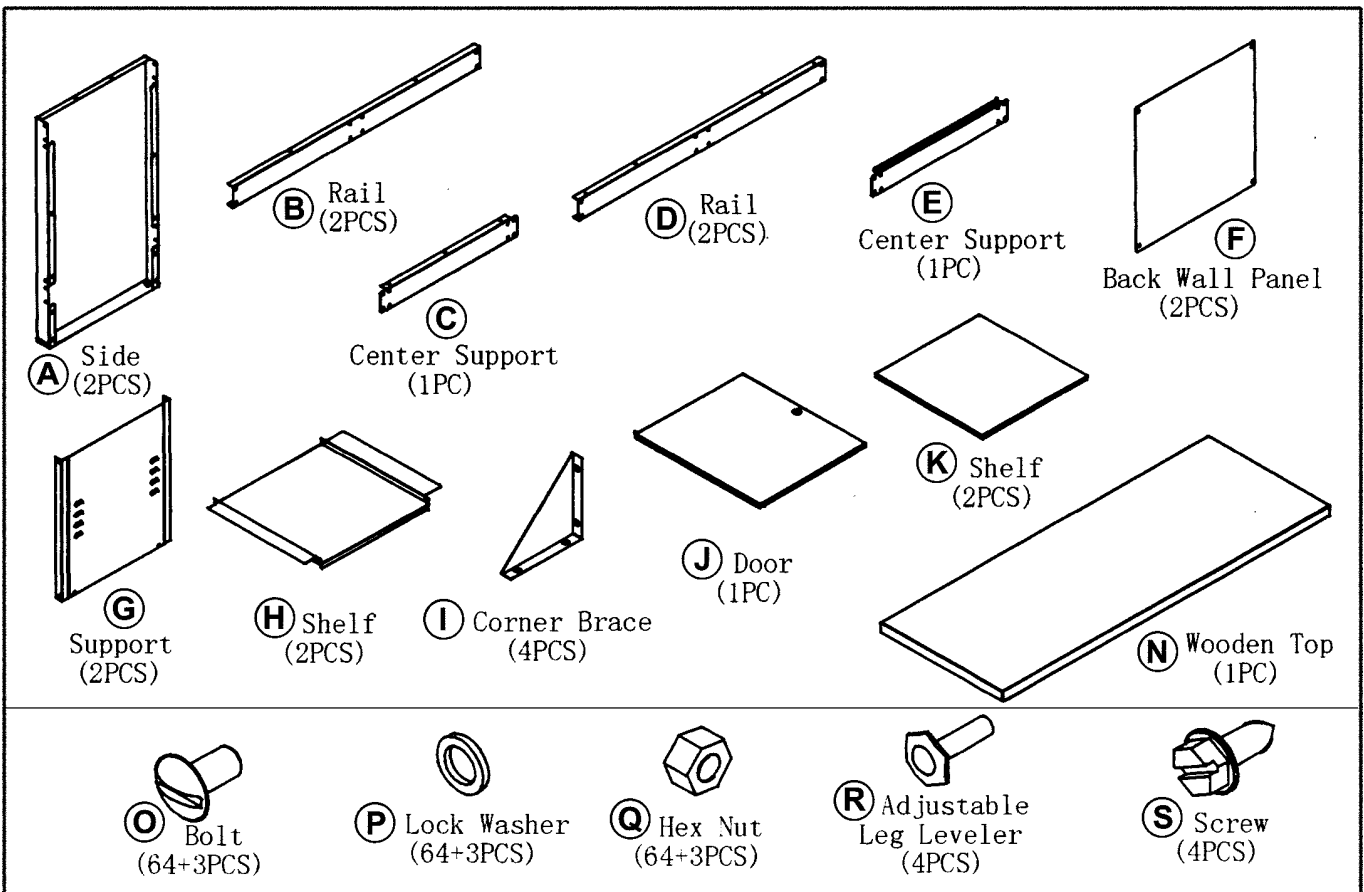
1. SAFETY INSTRUCTIONS

1.1 GENERAL SAFETY

- **WARNING!** Ensure Health & Safety, local authority, and general workshop practice regulations are adhered to when using this bench.
- ✓ Locate bench in a suitable working area.
- ✓ Keep the work area clean, uncluttered and ensure there is adequate lighting.
- **WARNING!** Use bench on level and solid ground, preferably concrete. Avoid tarmac since the bench may sink into the surface.
- ✓ Keep the bench clean and tidy in accordance with good workshop practice.
- ✓ Keep children and unauthorised persons away from the working area.
- x **DO NOT** use the bench for any purpose other than that for which it is designed.
- x **DO NOT** undertake work on the bench without the workpiece being adequately secured. Use clamps or a vice (not included) to secure the workpiece. Available from your Sealey dealer.
- x **DO NOT** use the bench outdoors.
- x **DO NOT** get the bench wet or use in damp or wet locations or areas where there is condensation.
- x **DO NOT** clean the bench with any solvents which may damage the paint surface or the protective coating on the wooden top.

2. CONTENTS

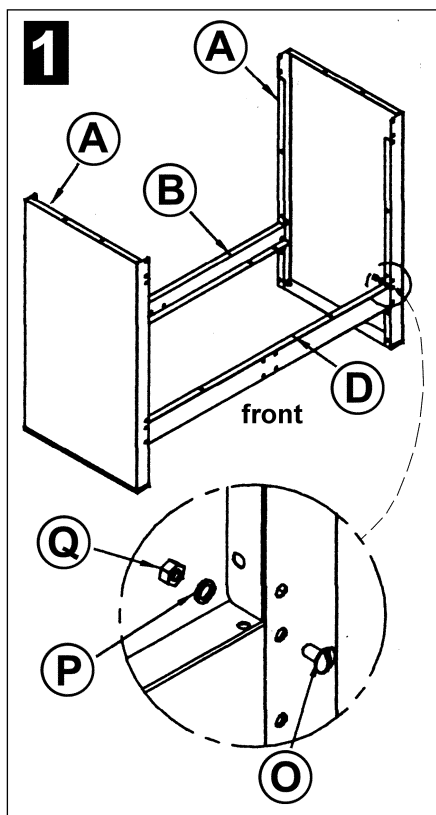
- 2.0 Carefully unpack the product and check the contents against the diagram below. Should any items be missing or damaged make immediate contact with your Sealey dealer.



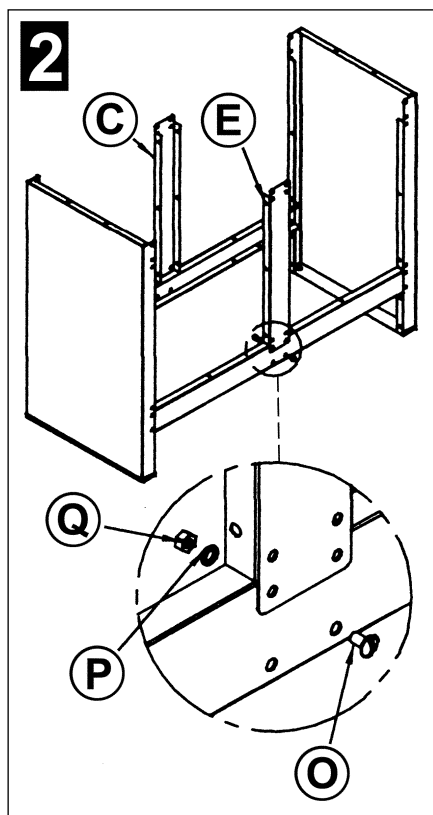
NOTE: It is our policy to continually improve products and as such we reserve the right to alter data, specifications and component parts without prior notice.

IMPORTANT: No liability is accepted for incorrect use of product. **WARRANTY:** Guarantee is 12 months from purchase date, proof of which will be required for any claim. **INFORMATION:** Call us for a copy of our latest catalogue on 01284 757525 and leave your full name and address including your postcode.

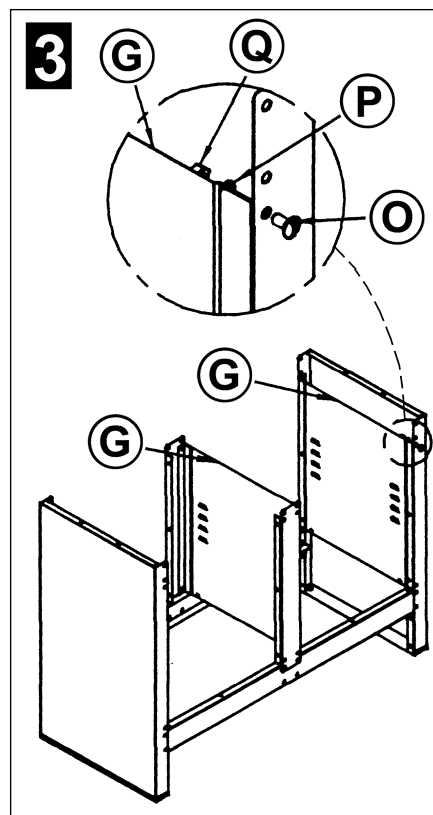
3. ASSEMBLY



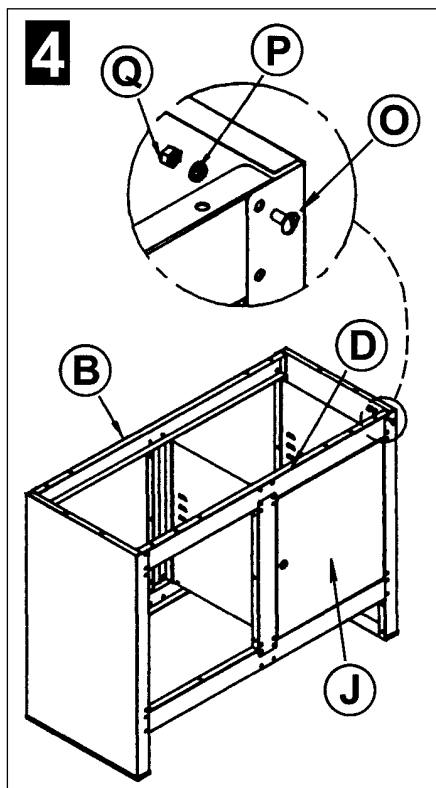
STEP 1. Take one crossrail (B) and one crossrail (D) and bolt them to the cabinet sides (A) using 8 bolts (O), 8 lock washers (P), and 8 nuts (Q). Ensure that the pairs of holes that accept the corner braces are facing downwards. (Refer to STEP 8.)



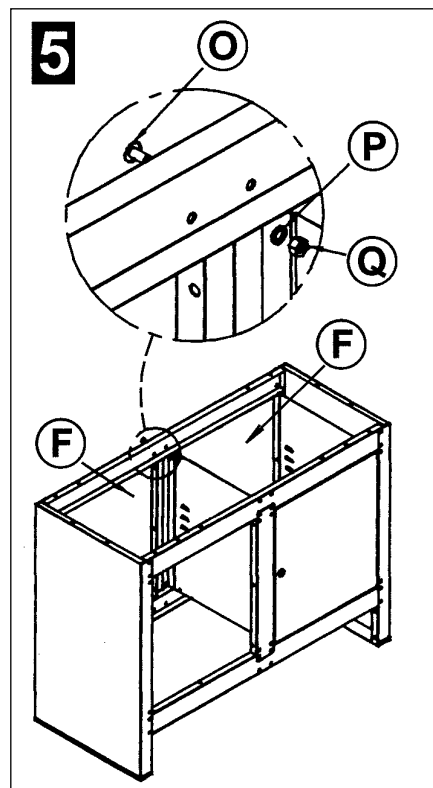
STEP 2. Bolt centre support (C) to the rear lower crossrail (B) and front centre support (E) to the front lower crossrail (D) using 4 bolts (O), 4 lock washers (P), and 4 nuts (Q).



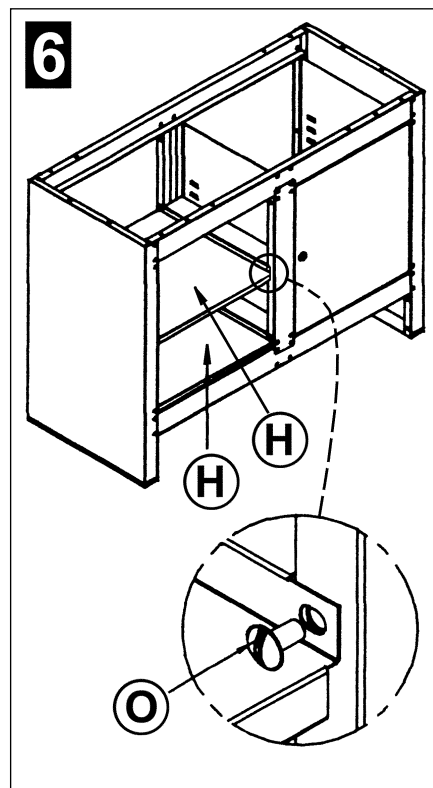
STEP 3. Bolt inner shelf supports (G) to the centre supports and right hand side panel using 4 bolts (O), 4 lock washers (P), and 4 nuts (Q). Leave out top bolt on rear centre support until back panel is required in STEP 5.



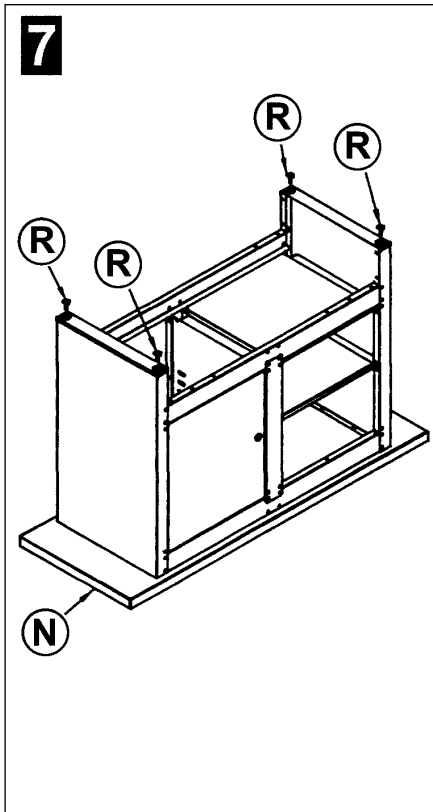
STEP 4. Bolt into position rear crossrail (B). Take door (J) and drop lower hinge pin into the hole in lower cross rail. Hold door in position and bolt in place front crossrail (D) ensuring that the upper hinge pin has entered the hinge hole in underside of crossrail. You will need 12 bolts (O), 12 lock washers (P), and 12 nuts (Q).



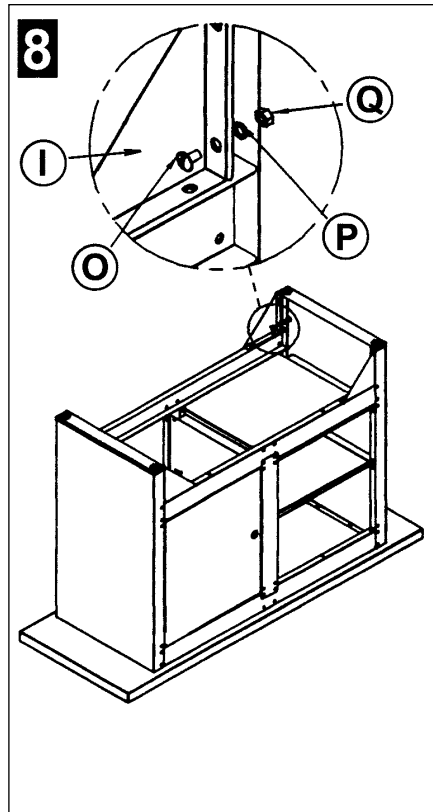
STEP 5. Bolt the two back wall panels (F) to the rear of the cabinet using 8 bolts (O), 8 lock washers (P), and 8 nuts (Q).



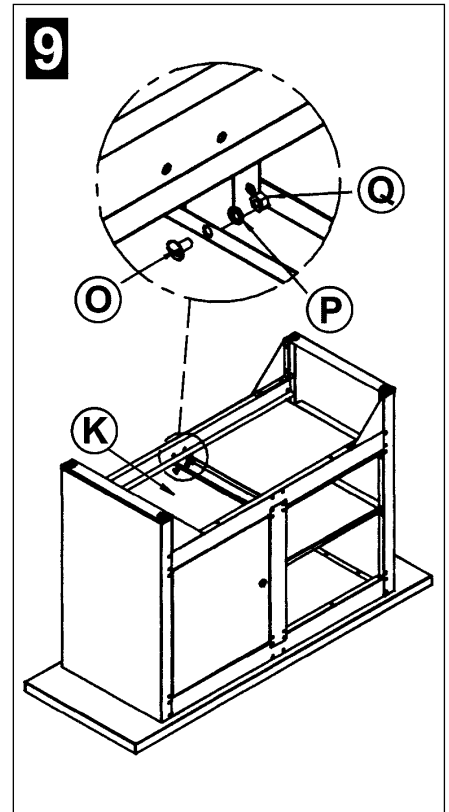
STEP 6. Bolt the two shelf parts (H) into the left hand compartment of the cabinet using 8 bolts (O), 8 lock washers (P), and 8 nuts (Q).



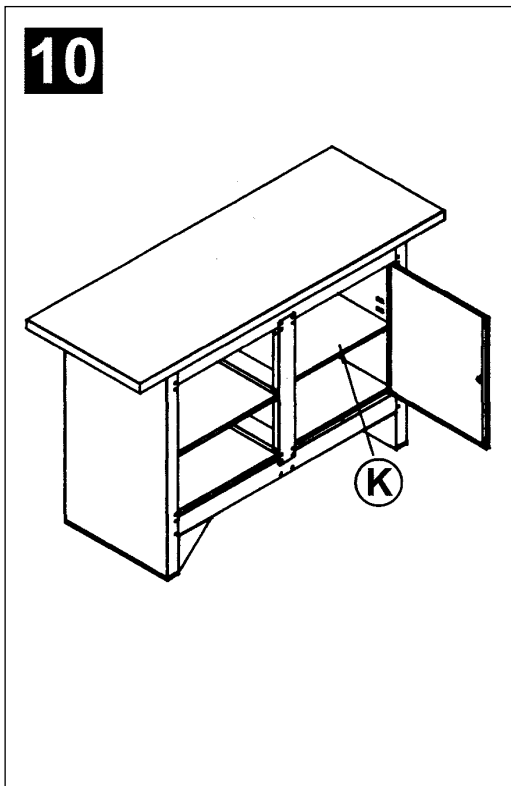
STEP 7. Place the wooden top (N) face down on a flat, clean, smooth surface. Place the cabinet upside down on the wooden top and align it with the four pre-drilled holes. Fix with the four hex head screws (S). Screw into place the four adjustable leg levels (R).



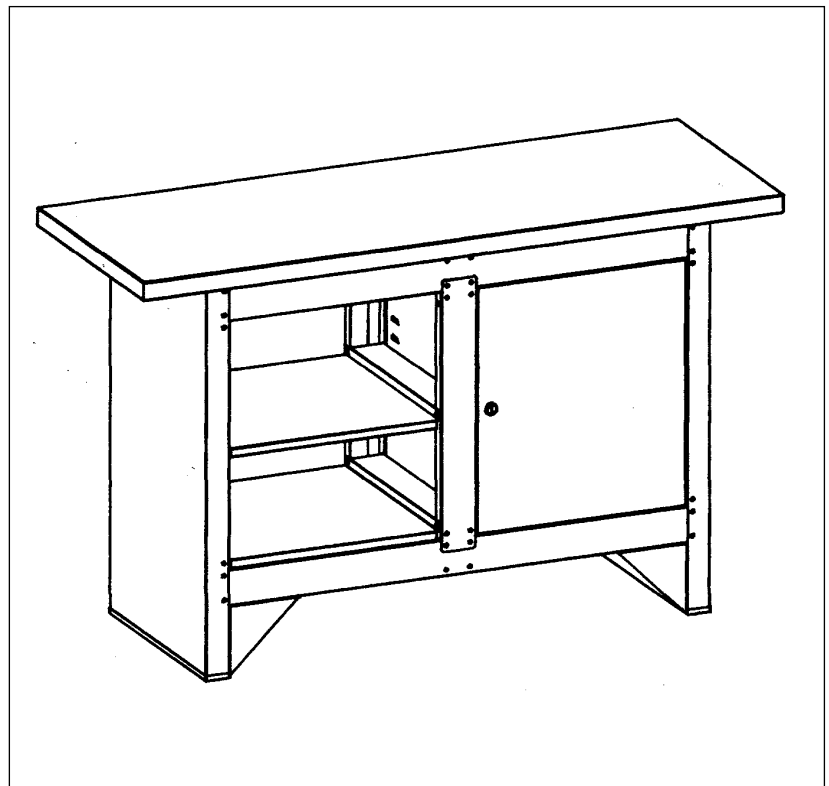
STEP 8. Bolt the four corner braces (I) into place using 16 bolts (O), 16 lock washers (P), and 16 nuts (Q).



STEP 9. Bolt one shelf part (K) to the underside of the cupboard compartment as indicated above using 4 bolts (O), 4 lock washers (P), and 4 nuts (Q). **Tighten all fixings and turn workbench the right way up.**



STEP 10. Put shelf component (K) into place at desired height inside cupboard.



Place the finished workbench in its final location and adjust the leg levels so that the bench is both level and stable in use.