

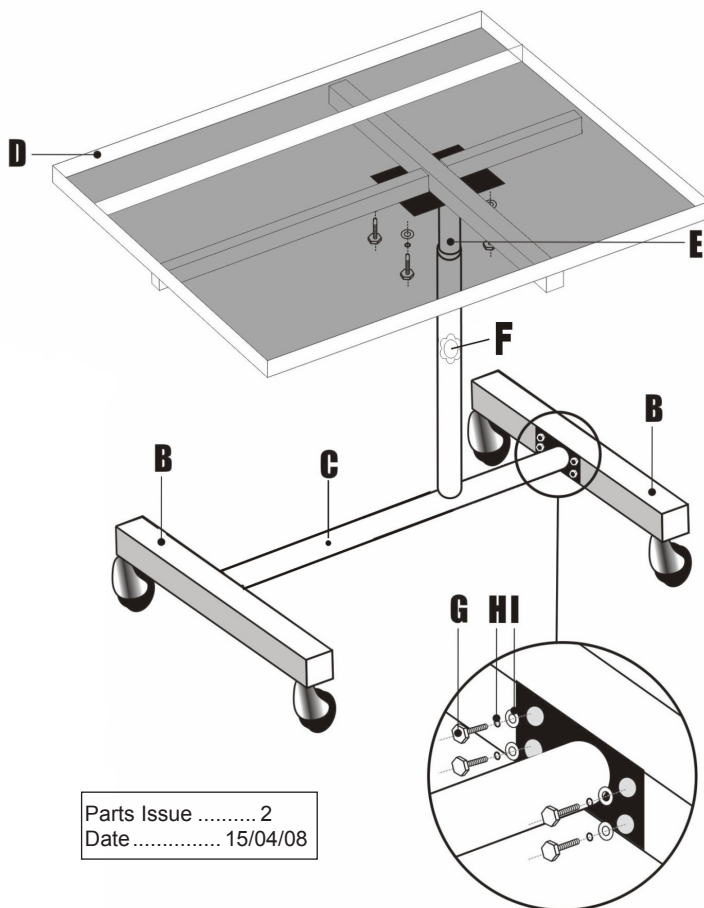
Thank you for purchasing a Sealey product. Manufactured to a high standard this product will, if used according to these instructions and properly maintained, give you years of trouble free performance.

IMPORTANT: READ THESE INSTRUCTIONS CAREFULLY. NOTE THE SAFE OPERATIONAL REQUIREMENTS, WARNINGS AND CAUTIONS. USE THIS PRODUCT CORRECTLY AND WITH CARE FOR THE PURPOSE FOR WHICH IT IS INTENDED. FAILURE TO DO SO MAY CAUSE DAMAGE AND/OR PERSONAL INJURY AND WILL INVALIDATE THE WARRANTY. RETAIN THESE INSTRUCTIONS FOR FUTURE USE.

1. SAFETY PRECAUTIONS

GENERAL SAFETY

- ❑ **WARNING!** Ensure Health & Safety, local authority, and general workshop practice regulations are adhered to when using this workstation.
- ✓ Locate workstation in a suitable working area.
- ✓ Keep the work area clean, uncluttered and ensure there is adequate lighting.
- ❑ **WARNING!** Use workstation on level and solid ground, preferably concrete.
- ✓ Keep the workstation clean and tidy in accordance with good workshop practice.
- ✓ Keep children and unauthorised persons away from working area.
- ✗ **DO NOT** use the workstation for any purpose other than that for which it is designed.
- ✓ Ensure that fixings have been securely tightened before use.



2. CONTENTS

Table is fully adjustable in height and can rotate 360° while base remains static. Features two-section table, one large for main workpiece and a smaller section for accessories. Rubber lining on the table helps prevent damage to the unit and workpiece. Ideal for use in workshops and warehouses. Supplied with castor wheels.

Check that the kit contains the following parts, if not contact your supplier immediately.

| Item | Part No: | Description | QTY |
|------|----------|--------------------------|-----|
| B | AP200.B | SUPPORT LEG c/w 2 WHEELS | 1 |
| C | AP200.C | BASE (T-SHAPE) | 1 |
| D | AP200.D | TRAY | 1 |
| E | AP200.E | ADJUSTABLE POLE | 1 |
| F | AP200.F | ADJUSTMENT KNOB | 1 |
| G | AP200.G | BOLT M8x20mm | 8 |
| H | AP200.H | WASHER | 8 |
| I | AP200.I | SPRING WASHER | 8 |

Parts Issue 2
Date 15/04/08

3. ASSEMBLY

- 3.1 Fix support leg (B) to the T-type support pole (C) using 4 x M8 x 20mm bolt (G), M8 washer (H) and spring washer (I).
- 3.2 Attach adjustable pole (E) to tray (D) using 4 x M8 x 20mm bolt (G), M8 washer (H) and spring washer (I).
- 3.3 Slide adjustable pole (E) and tray (D) assembly into t-type support pole (C).
- 3.4 Secure at the selected height by tightening adjustment knob (F).

4. OPERATION

- 4.1 Adjust the height of the workstation by turning the adjustment knob anticlockwise, use caution and support the tray to prevent it from dropping.
- 4.2 Raise or lower the tray to the desired height and lock in place by turning the adjustment knob clockwise.
- 4.3 The tray may also be rotated horizontally through 360°. Turn the adjustment knob anticlockwise, rotate the tray to the desired position and height and lock in position by turning the adjustment knob clockwise.

NOTE: It is our policy to continually improve products and as such we reserve the right to alter data, specifications and component parts without prior notice. **IMPORTANT:** No liability is accepted for incorrect use of product. **WARRANTY:** Guarantee is 12 months from purchase date, proof of which will be required for any claim.

INFORMATION: For a copy of our latest catalogue and promotions call us on 01284 757525 and leave your full name and address, including postcode.