

Thank you for purchasing a Sealey product. Manufactured to a high standard this product will, if used according to these instructions and properly maintained, give you years of trouble free performance.



**IMPORTANT: PLEASE READ THESE INSTRUCTIONS CAREFULLY. NOTE THE SAFE OPERATIONAL REQUIREMENTS, WARNINGS & CAUTIONS. USE THE PRODUCT CORRECTLY AND WITH CARE FOR THE PURPOSE FOR WHICH IT IS INTENDED. FAILURE TO DO SO MAY CAUSE DAMAGE AND/OR PERSONAL INJURY, AND WILL INVALIDATE THE WARRANTY. PLEASE KEEP INSTRUCTIONS SAFE FOR FUTURE USE.**

### 1. SAFETY INSTRUCTIONS

#### 1.1 GENERAL SAFETY

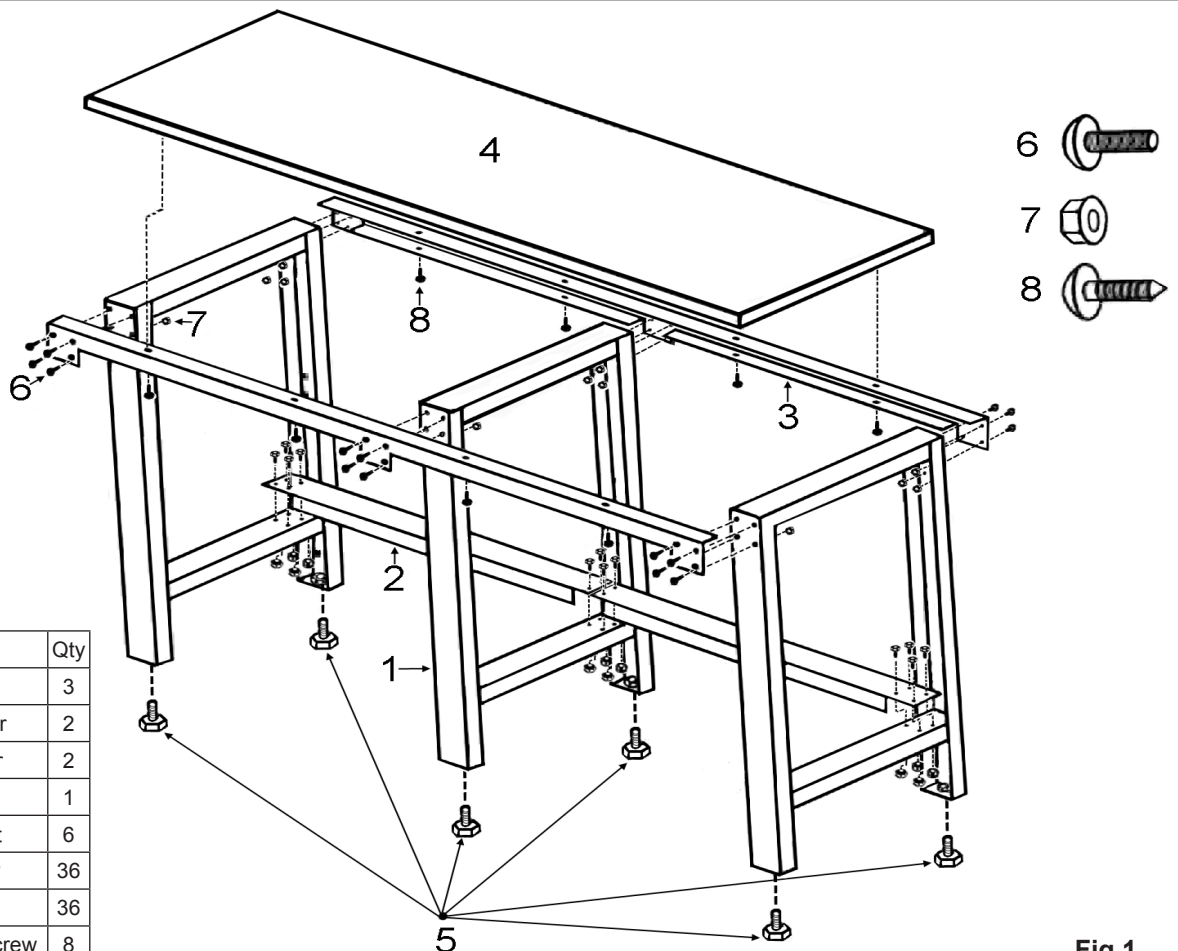
- WARNING!** Ensure Health & Safety, local authority, and general workshop practice regulations are adhered to when using this workbench.
- WARNING!** Use caution when handling and assembling the metal components. The metal may have sharp edges or corners, the use of protective gloves is recommended.
- ✓ Locate workbench in a suitable working area.
- ✓ Keep the work area clean, uncluttered and ensure there is adequate lighting.
- ✓ Keep the workbench clean and tidy in accordance with good workshop practice.
- ✓ Keep children and unauthorised persons away from the working area.
- ✗ **DO NOT** climb, step or stand on the workbench.
- ✗ **DO NOT** use the workbench for any purpose other than that for which it is designed.
- ✗ **DO NOT** use in damp work areas.
- WARNING!** The warnings, cautions and instructions referred to in this instruction manual cannot cover all possible conditions and situations that may occur. It must be understood that common sense and caution are factors which cannot be built into this product, but must be applied by the operator.



### 2. INTRODUCTION

Use as part of a complete professional garage storage system or an individual workbench. Featuring wooden worktop, six legs fitted with adjustable feet for levelling on uneven floors. All steel construction with a graphite powder coat finish.

Overall Size (W x D x H): 1650 x 509 x 945mm



Contents	Qty
1 Leg Assembly	3
2 Short Cross Bar	2
3 Long Cross Bar	2
4 Bench Top	1
5 Adjustable Foot	6
6 Machine Screw	36
7 Flange Nut	36
8 Self Tapping Screw	8

Fig.1

### 3. ASSEMBLY

Refer to exploded diagram in Fig.1 when assembling this workbench.

- 3.1 Place the bench top (4) on a protected level surface with the pre-drilled holes facing upwards.
- 3.2 Attach the two long cross bars (3) to the top using screws (8) to the underside of the bench top, tighten fully using a phillips screwdriver.
- 3.3 Place two leg assemblies (1) perpendicularly and align them together with a short cross bar (2) via the pre-drilled holes, insert machine screws (6) into each of the holes and secure using nuts (7). Repeat the operation for the third leg. Fully tighten all nuts using a 10mm socket wrench.
- 3.4 Adjust the feet to ensure that the workbench frame is level.
- 3.5 Place the bench top onto the workbench frame and align the holes in the long cross bar with those on the frame. Insert screws (6) into each hole and secure with nuts (7). Once all are in place tighten fully with a 10mm socket wrench.
- 3.6 Check completed workbench to ensure that it is level and make any final adjustments to the feet if required.

### 4. MAINTENANCE

- 4.1 Periodically check the overall condition of the workbench.
- 4.2 Tighten any loose screws and repair or replace any broken or damaged parts.



Work Bench shown here in conjunction with other options available.  
Contact your Sealey Dealer for more details.

Parts support is available for this product.

To obtain a parts list and diagram please log on to [www.sealey.co.uk](http://www.sealey.co.uk), email [sales@sealey.co.uk](mailto:sales@sealey.co.uk) or phone 01284 757500

**NOTE:** It is our policy to continually improve products and as such we reserve the right to alter data, specifications and component parts without prior notice.

**IMPORTANT:** No liability is accepted for incorrect use of this product.

**WARRANTY:** Guarantee is 12 months from purchase date, proof of which will be required for any claim.

**INFORMATION:** For a copy of our catalogue and latest promotions call us on 01284 757525 and leave your full name, address and postcode.



Sole UK Distributor  
Sealey Group,  
Bury St. Edmunds, Suffolk.



01284 757500

01284 703534



[www.sealey.co.uk](http://www.sealey.co.uk)

[sales@sealey.co.uk](mailto:sales@sealey.co.uk)