

Thank you for purchasing a Sealey product. Manufactured to a high standard this product will, if used according to these instructions and properly maintained, give you years of trouble free performance.



**IMPORTANT: PLEASE READ THESE INSTRUCTIONS CAREFULLY. NOTE THE SAFE OPERATIONAL REQUIREMENTS, WARNINGS & CAUTIONS. USE THE PRODUCT CORRECTLY AND WITH CARE FOR THE PURPOSE FOR WHICH IT IS INTENDED. FAILURE TO DO SO MAY CAUSE DAMAGE OR PERSONAL INJURY, AND WILL INVALIDATE THE WARRANTY. PLEASE KEEP INSTRUCTIONS SAFE FOR FUTURE USE.**

### 1. SAFETY INSTRUCTIONS

#### 1.1 GENERAL SAFETY

- ✓ Dispose of waste fluids in accordance with local authority regulations.
- ❑ **WARNING!** Ensure Health & Safety, local authority, and general workshop practice regulations are adhered to when using this bench.
- ✓ Locate bench in a suitable working area.
- ✓ Keep the work area clean, uncluttered and ensure there is adequate lighting.
- ❑ **WARNING!** Use bench on level and solid ground, preferably concrete. Avoid tarmacadam since the bench may sink into the surface.
- ✓ Keep the bench clean and tidy in accordance with good workshop practice.
- ✓ Keep children and unauthorised persons away from the working area.
- ❑ **WARNING!** This bench is not electrically insulated and is therefore not suitable for electrical repairs of any sort.
- x **DO NOT** use the bench for any purpose other than that for which it is designed.
- x **DO NOT** do work on the bench without the workpiece being adequately secured. Use clamps or a vice (not included) to secure the workpiece. Available from your Sealey dealer.
- x **DO NOT** use the bench out of doors.
- x **DO NOT** get the bench wet or use in damp or wet locations or areas where there is condensation.
- x **DO NOT** clean the bench with any solvents which may damage the paint surface.
- ❑ **WARNING!** This is a heavy product, assistance will be needed during assembly.



### 2. CONTENTS

- 2.1 Remove all parts and fixings from the box. Ensure that you have adequate help to remove the bench top from the box (It is too heavy for one person to lift safely).
- 2.2 Check the contents against the parts listed below. Should there be any damaged or missing parts contact your supplier immediately.

REF.	DESCRIPTION	QUANTITY
1	Workbench Top	1
2	Long Support Bar	2
3	Workbench Legs	4
4	Short Support Bar	2
5	Oil Drainage Bowl	1
6	Drawer	1
7	Swivel Wheel	1
8	Locking Swivel Wheel	1
9	Male and Female Ball Bearing Sliders	2
10	Large Bolts	24
11	Small Bolts	8
12	Washers	32
13	Screws	6
14	Nuts	16

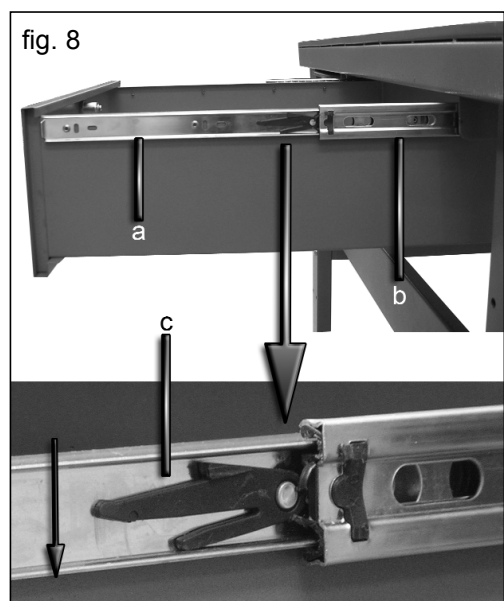
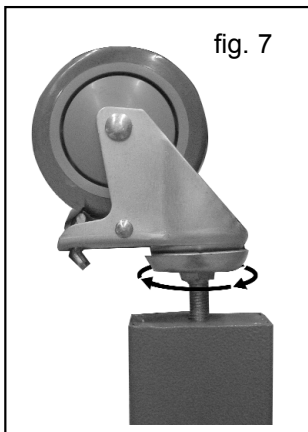
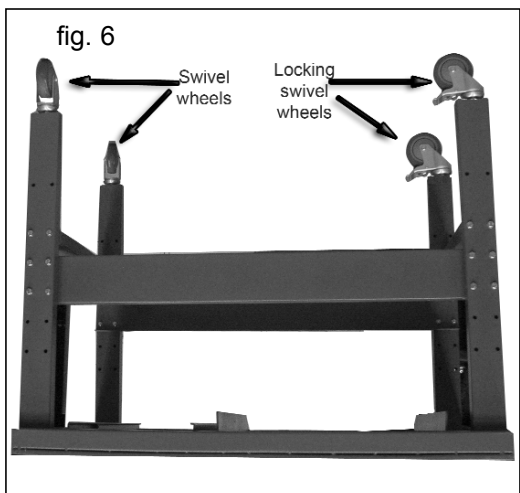
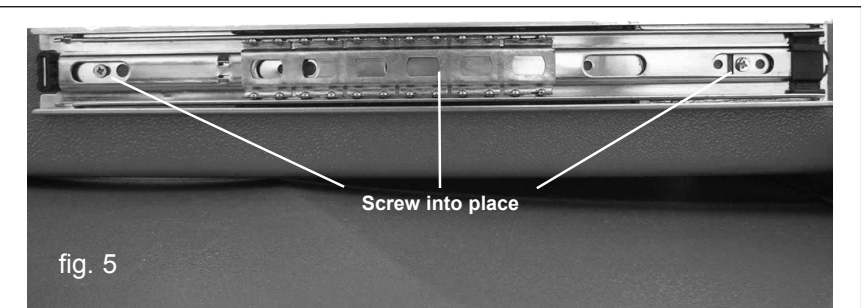
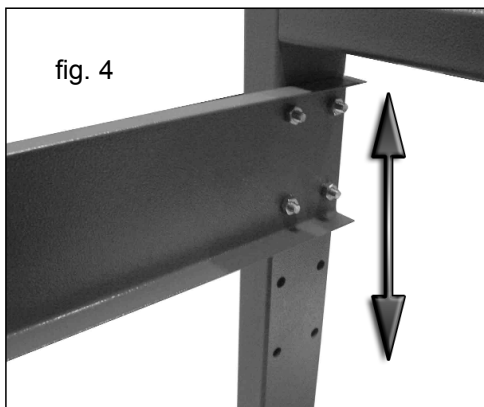
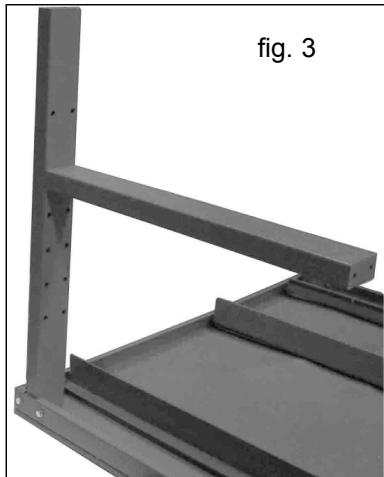
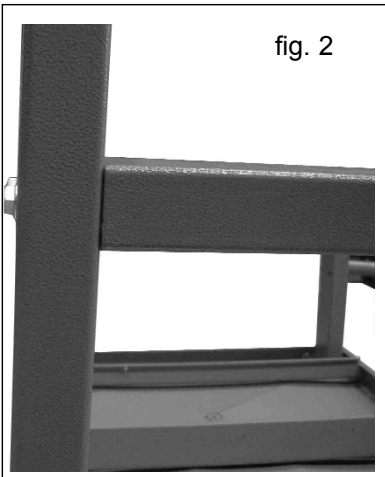
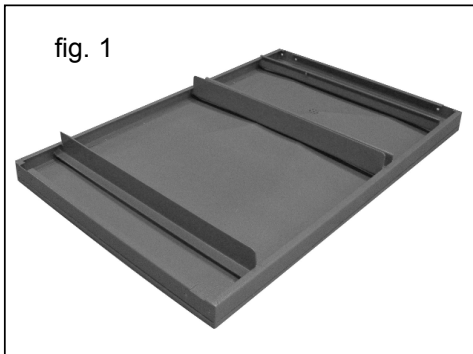
### 3. ASSEMBLY

⚠ **WARNING! This is a heavy product - you will need assistance when assembling.**

- 3.1 Turn the top of the workbench upside down, this will make the assembly easier (fig.1).
- 3.2 Attach one leg to the workbench top, see fig. 2 and 3. Then attach the short support bar (fig. 2 and 3) secure the second leg to the bar and bench top. Do this at each end of the bench.

**Note!** If you secure the legs or construct the legs and support bar first you will struggle to fit the legs into the bench top.

- 3.3 When the legs and short support bars are secure attach the longer support bars at the height required. See fig. 4.
- 3.4 While the work bench is upside down screw in the sliders, making sure they are attached the correct way around. Attach with the 6 small screws, x 3 on each slider, see fig. 5.
- 3.5 Screw in the 4 wheels clockwise, see fig. 7. Make sure that the wheels are on the correct legs, shown in fig. 6.
- 3.6 Turn the workbench over to an upright position, **make sure you have assistance - this is a heavy product!**
- 3.7 When the workbench is upright lock the wheels and slide in the drawer. To insert the drawer slot the inner slide (fig. 8a) into the middle slide (fig. 8b) and push the the drawer all the way in. To take the drawer out push down or lift up the spring lock (fig. 8c) on the inner slide and pull the drawer away from the workbench.
- 3.8 Finally slot in the bowl and position it under the drain. Put the bench in its desired location and lock the wheels.



**NOTE:** It is our policy to continually improve products and as such we reserve the right to alter data, specifications and component parts without prior notice.

**IMPORTANT:** No liability is accepted for incorrect use of this product.

**WARRANTY:** Guarantee is 12 months from purchase date, proof of which will be required for any claim.

**INFORMATION:** For a copy of our catalogue and latest promotions call us on 01284 757525 and leave your full name, address and postcode.



Sole UK Distributor  
Sealey Group,  
Bury St. Edmunds, Suffolk.

01284 757500  
01284 703534

www.sealey.co.uk  
sales@sealey.co.uk