

Thank you for purchasing a Sealey product. Manufactured to a high standard this product will, if used according to these instructions and properly maintained, give you years of trouble free performance.



IMPORTANT: PLEASE READ THESE INSTRUCTIONS CAREFULLY. NOTE THE SAFE OPERATIONAL REQUIREMENTS, WARNINGS & CAUTIONS. USE THE PRODUCT CORRECTLY AND WITH CARE FOR THE PURPOSE FOR WHICH IT IS INTENDED. FAILURE TO DO SO MAY CAUSE DAMAGE AND/OR PERSONAL INJURY AND WILL INVALIDATE THE WARRANTY. PLEASE KEEP INSTRUCTIONS SAFE FOR FUTURE USE.

1. SAFETY INSTRUCTIONS

1.1. GENERAL SAFETY

- WARNING!** Ensure Health & Safety, local authority, and general workshop practice regulations are adhered to when using this workbench.
- ✓ Locate workbench in a suitable work area.
- ✓ Keep the work area clean, uncluttered and ensure there is adequate lighting.
- WARNING!** Use workbench on level and solid ground, preferably concrete.
- ✓ Keep the workbench clean and tidy in accordance with good workshop practice.
- ✓ Keep children and unauthorised persons away from the work area.
- x **DO NOT** use the workbench for any purpose other than that for which it is designed.
- x **DO NOT** use the workbench outdoors.
- x **DO NOT** place the workbench in a damp or wet location or an area where there is condensation.
- x **DO NOT** clean the workbench with any solvents which may damage the surfaces or the protective coating.
- x **DO NOT** move the workbench when there are items placed on it.
- x **DO NOT** overload the workbench.
- x **DO NOT** undertake work on the workbench without the workpiece being adequately secured. Use clamps or a vice (not included) to secure the workpiece (available from your Sealey dealer).
- WARNING!** The warnings, cautions and instructions discussed in this instruction manual cannot cover all possible conditions and situations that may occur. It must be understood that common sense and caution are factors which cannot be built into this product, but must be applied by the operator.

2. INTRODUCTION

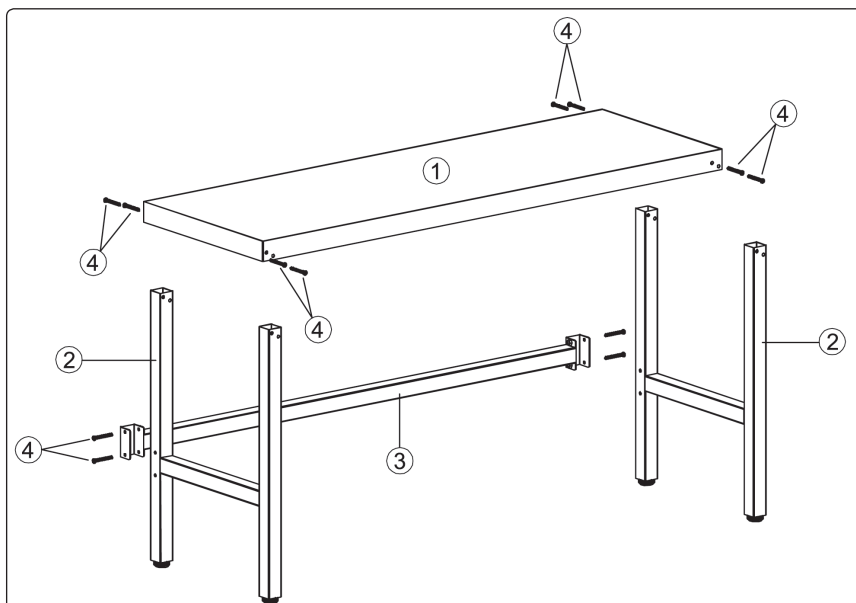
25mm Thick wood top, used for added extra rigidity and durability. Powder coated steel frame, for added corrosion resistance. Four adjustable feet for levelling on uneven ground.

Dimensions: Width: 1805mm, Depth: 605mm, Height: 910mm. Maximum Capacity: 500kg - evenly distributed.

3. CONTENTS

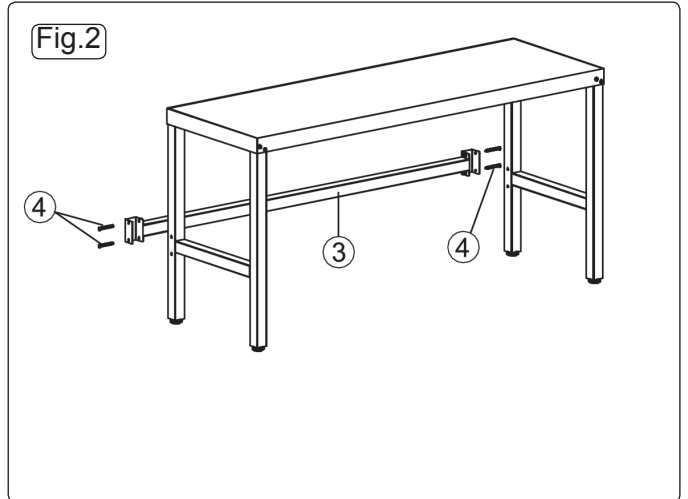
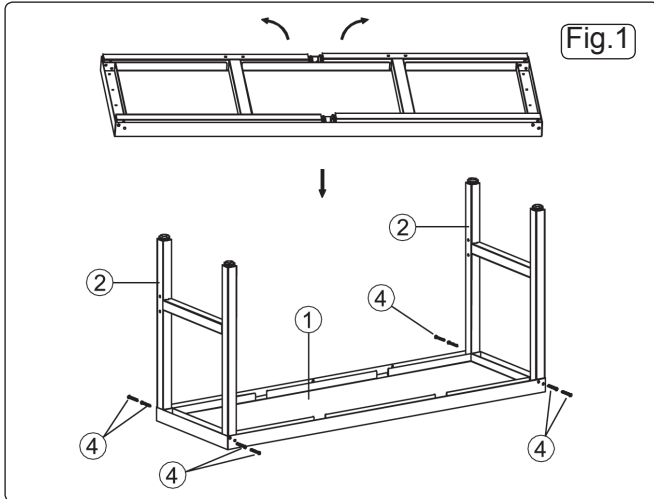
Unpack the contents and check against the parts list. If there are any parts missing, contact your Sealey dealer.

Part No.	Part Name	No. of
1	Table Top	1
2	H Leg Frame	2
3	Horizontal Brace	1
4	M8 x 70mm Pan Head Hex Bolt	12



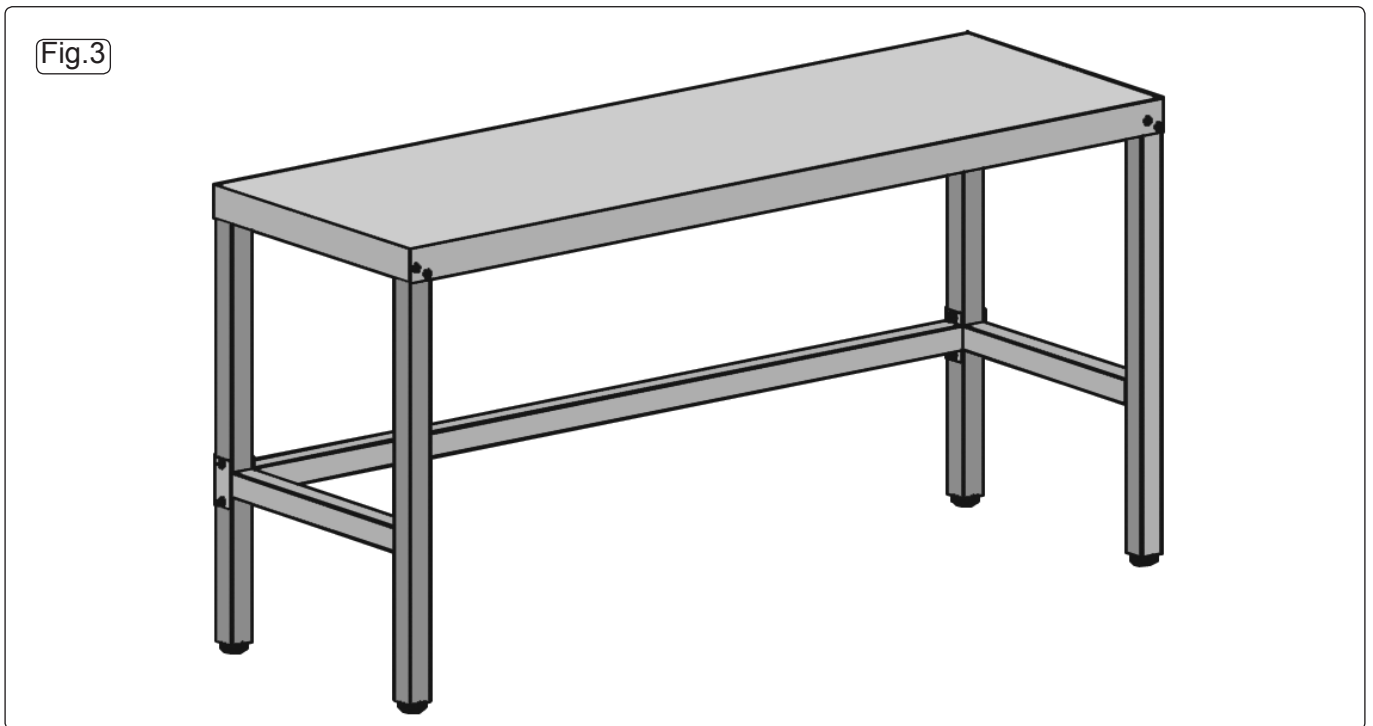
4. ASSEMBLY

4.1. Assemble the workbench following the sequence below, referencing the parts list overleaf.



4.2. Lay the table top face downwards. Insert one H frame into the grooves at one end of the table top and fix in place using 4 hex bolts. Repeat with the other H frame.

4.3. Stand the workbench on its legs. Locate and fit brace to the rear legs using four hex bolts. The workbench is ready to use.



NOTE: It is our policy to continually improve products and as such we reserve the right to alter data, specifications and component parts without prior notice.

IMPORTANT: No liability is accepted for incorrect use of this product.

WARRANTY: Guarantee is 12 months from purchase date, proof of which will be required for any claim.

INFORMATION: For a copy of our latest catalogue and promotions call us on 01284 757525 and leave your full name and address, including postcode.



Sole UK Distributor, Sealey Group,
Kempson Way, Suffolk Business
Park, Bury St. Edmunds, Suffolk,
IP32 7AR

01284 757500

01284 703534

www.sealey.co.uk

sales@sealey.co.uk