

Thank you for purchasing a Sealey Product. Manufactured to a high standard this product will, if used according to these instructions and properly maintained, give you years of trouble free performance.



IMPORTANT: PLEASE READ INSTRUCTIONS CAREFULLY. NOTE THE SAFE OPERATIONAL REQUIREMENTS, WARNINGS AND CAUTIONS. USE THIS PRODUCT CORRECTLY AND WITH CARE FOR THE PURPOSE FOR WHICH IT IS INTENDED. FAILURE TO DO SO MAY CAUSE DAMAGE OR PERSONAL INJURY, AND WILL INVALIDATE THE WARRANTY. PLEASE KEEP INSTRUCTIONS SAFE FOR FUTURE USE.

1. SAFETY INSTRUCTIONS

- ❑ **WARNING!** Ensure health & safety, local authority, & general workshop practice regulations are adhered to when using this staple/nail gun.
- ✓ Maintain the staple/nail gun in good condition. (use an authorised service agent).
- ✓ Use this product in an adequate working area for its function, keep area clean, tidy and free from unrelated materials. Ensure there is adequate lighting.
- ❑ **WARNING!** Always wear approved eye or face protection when operating the staple/nail gun.
- ✓ Remove ill fitting clothing, ties, watches, rings, other loose jewellery, and contain and/ or tie back long hair.
- ✓ Wear appropriate protective clothing.
- ✓ Maintain correct balance and footing. Ensure the floor is not slippery and wear non slip shoes.
- ✓ Keep children and unauthorised persons away from the working area.
- X DO NOT force this product to achieve a task it was not designed to perform.
- X DO NOT operate if any parts are damaged or missing. This may cause failure or possible injury.
- X DO NOT get the Stapler/Nailer wet or use in damp or wet locations.
- X DO NOT point at other persons or animals.
- X DO NOT operate if you are tired, under the influence of alcohol, drugs or intoxicating medication.
- ✓ When not in use store in a safe, dry, child proof area.

2. INTRODUCTION

Three in one staple and nail gun fitted with an adjustable power control and staple remover. Features a removable sole plate for easy clearance of blockages and is supplied with a starter pack of nails and staples. Supplied in a storage case, this staple and nail gun is suitable for a wide range of applications.

3. SPECIFICATION

Specification:

Model No:AK7061
 Crown Size:9.5mm
 Standard Staple Sizes: 6, 8, 10, 12, 14mm
 Hoop Staples:12mm
 Nail sizes: 10, 12, 14mm

4. OPERATING INSTRUCTIONS

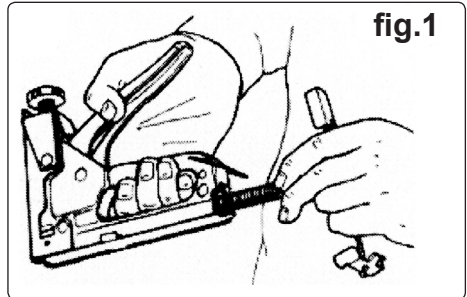


fig.1

4.1 Hold the stapler in one hand and point away from your body. Push in and down on the stapler feed bar and withdraw it from the stapler. Insert new staples (fig.1) or nails into the guidance track. See (fig.5) for staple placement within the track. Reinsert the feed bar and hook upwards to retain it.

4.2 Prior to stapling, ensure that the stapler is correctly positioned and the sole plate is in firm contact with the surfaced to be stapled. Firmly depress the trigger until the gun fires (fig.2).

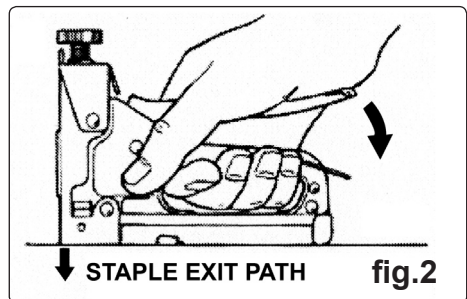


fig.2

4.3 How to clear blockages. Remove the feed bar (fig.1) and any loose staples remaining in the guidance track. Using the tabs on the sole plate, pull the sole plate back and downwards to hinge it away from the main body. Clear any damaged staples away from the staple exit path. Hinge up the sole plate. Pull back on the tabs and move it back into position within the main body. (fig.3)

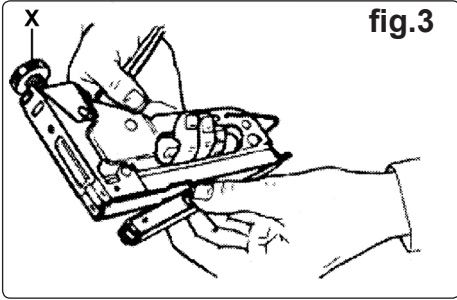


fig.3

4.4 The stapling force can be adjusted using the knurled knob in front of the trigger (fig.3X). Turn the knob clockwise to increase the stapling force and anti-clockwise to decrease the stapling force.

4.5 Staple removal. At the rear end of the sole plate is a semicircular protrusion that can be used to lever out driven staples. See fig.4.

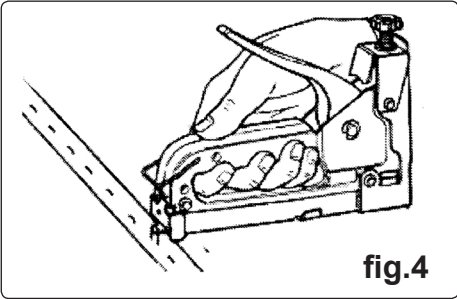


fig.4

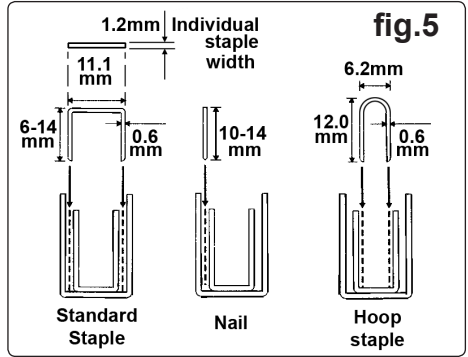


fig.5

NOTE: It is our policy to continually improve products and as such we reserve the right to alter data, specifications and component parts without prior notice.

IMPORTANT: No liability is accepted for incorrect use of this product.

WARRANTY: Guarantee is 12 months from purchase date, proof of which will be required for any claim.

INFORMATION: For a copy of our latest catalogue and promotions call us on 01284 757525 and leave your full name and address, including postcode.



Sole UK Distributor, Sealey Group,
Kempson Way, Suffolk Business Park,
Bury St. Edmunds, Suffolk,
IP32 7AR

01284 757500



www.sealey.co.uk



01284 703534



sales@sealey.co.uk