



INSTRUCTIONS FOR:  
**TROLLEY JACK SUPER ROCKET LIFT**  
**3 TONNE**  
 MODEL No: **3015CXD**

Your new jack is produced and manufactured to a high standard of dependability and will, if used according to these instructions and properly maintained, give you years of trouble free performance.

**⚠ IMPORTANT: READ THESE INSTRUCTIONS CAREFULLY. NOTE THE SAFE OPERATIONAL REQUIREMENTS, WARNINGS AND CAUTIONS. USE THIS JACK CORRECTLY AND WITH CARE FOR THE PURPOSE FOR WHICH IT IS INTENDED. FAILURE TO DO SO MAY CAUSE DAMAGE AND/OR PERSONAL INJURY AND WILL INVALIDATE THE WARRANTY. RETAIN THESE INSTRUCTIONS FOR FUTURE USE.**

**1. SAFETY PRECAUTIONS**

- ✓ Ensure the jack is in sound condition and good working order. Take action for immediate repair or replacement of damaged parts.  
*Use genuine parts only. The use of improper parts may be dangerous and will invalidate the warranty.*
- ✓ Locate the jack in a suitable, well lit work area.
- ✓ Keep work area clean and tidy and free from unrelated materials.
- ✓ Use jack on level and solid ground, preferably concrete. *Avoid tarmac as jack may sink in.*
- ✓ Place wedges under wheels of vehicle (*but ensure that wheels of jack can freely move*).
- ✓ Ensure the vehicle handbrake is engaged, engine is switched off and transmission is in gear (or "Park" if automatic).
- ✓ Ensure minimum distance of 0.5mtr between vehicle and static objects such as doors, walls, etc., to allow for vehicle tilting.
- ✓ Ensure there are no passengers in the vehicle.
- ✓ Ensure all non-essential persons keep a safe distance whilst the jack is in use.
- ✓ Only place jack under those lifting points recommended by vehicle manufacturer (*see vehicle handbook*).
- ✓ Check the lifting point is stable and centred on the jack saddle.
- ✓ Ensure the jack wheels are free to move and that there are no obstructions.
- ☐ **DANGER!** *Use the jack for lifting only, NOT for supporting the lifted load.*
- ✓ Use suitable capacity axle stands under the vehicle before proceeding with any task.
- ✓ Ensure that there are no persons or obstructions beneath the vehicle before lowering.
- ✓ Use a qualified person to maintain or repair the jack's hydraulic system.
- x **DO NOT** operate the jack if damaged.
- x **DO NOT** allow untrained persons to operate the jack.
- x **DO NOT** exceed the rated capacity of the jack.
- x **DO NOT** allow the vehicle to move while supported by the jack, or use the jack to move the vehicle.
- x **DO NOT** jack the vehicle if there is a risk of spillage of fuel, battery acid, or other dangerous substances.
- x **DO NOT** work under the vehicle until axle stands have been correctly positioned.
- x **DO NOT use the jack for purposes other than that for which it is intended.**
- x **DO NOT top up the hydraulic system with brake fluid. Use hydraulic jack oil only.**
- x **DO NOT** adjust the safety overload valve.
- ✓ When not in use store jack, fully lowered, in a safe, dry, childproof area.
- ☐ **WARNING!** *It is very dangerous to go under a vehicle which is supported by a jack even if additional supports are used. DO NOT go under a vehicle unless it is supported by adequately rated axle stands.*
- ▲ **IMPORTANT!** *Ensure that you can see the saddle and jacking point throughout the jacking operation in case there is any relative movement.*

**2. INTRODUCTION & SPECIFICATION**

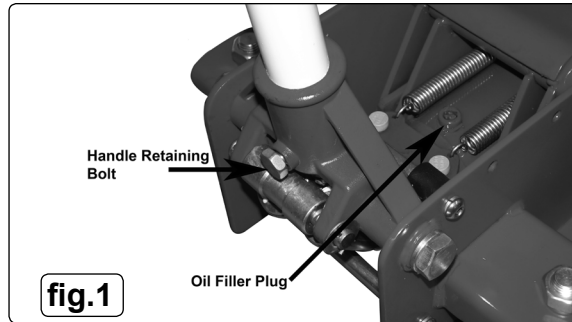
Single-piece hydraulic unit with heavy base design and large jacking saddle. Twin piston Super Rocket Lift feature brings lifting arm straight into contact with the jacking point in 1-2 strokes. Universal joint release mechanism allows safer, more controlled lowering of the jack. Fitted with safety overload valve and pump-through valve to prevent handle locking at maximum ram extension.

<b>Model No:</b> .....	<b>3015CXD</b>
Capacity: .....	.3tonne
Minimum Saddle Height: .....	132mm
Maximum Saddle Height: .....	472mm
Maximum Chassis Height: .....	158mm
Length: .....	620mm
Weight: .....	31kg



### 3. ASSEMBLY

- 3.1. Assemble the two-piece handle, using the bolt provided.
- 3.2. Insert the handle into the socket, taking care to ensure that the square indentation at the base of the handle fits correctly over the square head of the central release shaft.
- 3.3. Secure the handle using the bolt provided (see fig.1). Do not over-tighten.



### 4. BEFORE USE

- 4.1. Check the oil level.
  - 4.1.1. Ensure the jack is resting on level ground and that the ram is fully retracted. Open the release valve by turning the handle anticlockwise.
  - 4.1.2. Remove the cover plate by unscrewing the four screws. Remove the filler plug with an 8mm hex key (see fig.1) The oil level should be level with the bottom of the hole.
  - 4.1.3. If necessary, top up with hydraulic oil. Use only Sealey hydraulic jack oil (see your authorised Sealey dealer). Refit filler plug.
- 4.2. Pump the handle 20-30 times to purge the hydraulic system.
  - 4.2.1. Close the release valve by turning the handle clockwise
  - 4.2.2. Remove the filler plug before pumping the jack up to its full height. Now reinstall the filler plug and replace the cover plate.

### 5. OPERATION

- 5.1. **Lifting**
  - 5.1.1. When raising a vehicle, be sure to set the parking brake and chock the wheels. Perform jacking operations only on solid ground (eg: concrete), free from spillages and debris.
  - 5.1.2. Position the lifting saddle of the jack under the desired lifting point (check vehicle manufacturer's recommendations).
  - 5.1.3. The Super Rocket Lift will raise the saddle rapidly to the vehicle lifting point with the minimum of handle strokes.
- 5.2. **Lowering**
  - 5.2.1. Before lowering the jack, be sure that the area beneath the vehicle is clear of any persons/obstructions. **SLOWLY** open the release valve by turning the handle anticlockwise.
  - 5.2.2. When the lifting arm is in its lowest position, remove the jack from under the vehicle.

### 6. MAINTENANCE

- 6.1. When the jack is not in use, keep the ram fully retracted and the release valve closed.
- 6.2. Clean the jack regularly and oil/grease all pivoting sections every 3 months (more often if using jack in extremely dry/dusty conditions)
- 6.3. Check the oil level frequently (see section 4.1).
- 6.4. Check the piston and piston rod periodically for signs of rust/corrosion.
- 6.5. Should you suspect the jack to be damaged or in any way unsafe, remove from service immediately and contact your authorised Sealey dealer for advice and repairs.
- 6.6. At the end of the jack's serviceable life, drain the oil from it and dispose of according to local authority guidelines.

### 7. TROUBLESHOOTING

Jack will not lift load or the full rated capacity.	Release valve may not be tightly closed. Jack may be low on oil - top up with oil (see Section 4.1.3.) There may be air present in the system - purge the system (see Section 4.2.).
Jack lowers under load.	Release valve may not be tightly closed. There may be air present in the system - purge the system (see Section 4.2.).
Pump feels spongy.	Jack may be low on oil - top up with oil (see Section 4.1.3.) There may be air present in the system - purge the system (see Section 4.2.).
Handle raises or flies back under load.	There may be air present in the system - purge the system (see Section 4.2.).
Jack will not lift to full height.	Jack may be low on oil - top up with oil (see Section 4.1.3.) There may be air present in the system - purge the system (see Section 4.2.).
Jack will not lower completely.	Moving parts of the lifting mechanism may require lubrication.



#### Environmental Protection.

Recycle unwanted materials instead of disposing of them as waste. All tools, accessories and packaging should be sorted, taken to a recycling centre and disposed of in a manner which is compatible with the environment.

**NOTE:** It is our policy to continually improve products and as such we reserve the right to alter data, specifications and component parts without prior notice.

**IMPORTANT:** No liability is accepted for incorrect use of this product.

**WARRANTY:** Guarantee is 12 months from purchase date, proof of which will be required for any claim.

**INFORMATION:** For a copy of our latest catalogue and promotions call us on 01284 757525 and leave your full name and address, including postcode.



**Sole UK Distributor, Sealey Group,**  
Kempson Way, Suffolk Business Park,  
Bury St. Edmunds, Suffolk,  
IP32 7AR



01284 757500



01284 703534



www.sealey.co.uk



sales@sealey.co.uk