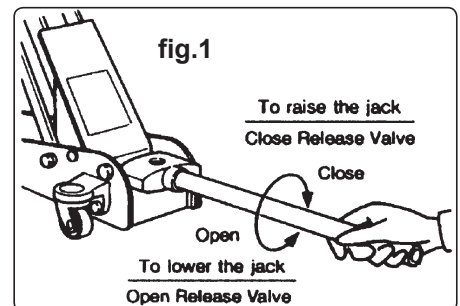


Your new Trolley Jack is produced and manufactured to a high standard of dependability, and if correctly cared for will give you years of trouble free performance.

⚠ IMPORTANT: READ THESE INSTRUCTIONS CAREFULLY. NOTE THE SAFE OPERATIONAL REQUIREMENTS, WARNINGS AND CAUTIONS. USE THIS JACK CORRECTLY AND WITH CARE FOR THE PURPOSE FOR WHICH IT IS INTENDED. FAILURE TO DO SO MAY CAUSE DAMAGE OR PERSONAL INJURY, AND WILL INVALIDATE THE WARRANTY. RETAIN THESE INSTRUCTIONS FOR FUTURE USE.

1. SAFETY PRECAUTIONS

- ✓ Ensure the Jack is in sound condition and good working order. Take action for immediate repair or replacement of damaged parts. *Use recommended parts only. The use of improper parts may be dangerous and will invalidate the warranty.*
- ✓ Locate the Jack in an adequate, well lit working area for its function.
- ✓ Keep working area clean and tidy and free from unrelated materials.
- ✓ Use Jack on level and solid ground, preferably concrete. *Avoid tarmac/adam as Jack may sink in.*
- ✓ Place wedges under wheels of vehicle (*but ensure wheels of Jack can move freely*).
- ✓ Ensure the vehicle handbrake is engaged (or in "PARKED" mode), and switch the engine off.
- ✓ Ensure minimum distance of 0.5m between vehicle tilt & static objects such as doors, walls, etc.
- ✓ Ensure all non essential persons keep a safe distance whilst the Jack is in use.
- ✓ Ensure there are no passengers in the vehicle to be jacked up.
- ✓ Place Jack under vehicle manufacturer's recommended lifting points (*see vehicle hand book*).
- ✓ Check that the lifting point is stable and centred on the Jack saddle.
- ✓ Ensure the Jack wheels are free to move and that there are no obstructions.
- ☐ **WARNING:** *The jack is a lifting device only.*
- ✓ To support the load always use axle stands (available from your Sealey dealer).
- ✓ Ensure there are no persons or obstruction beneath the vehicle before lowering.
- ✓ Use a qualified person to lubricate and maintain the Jack.
- ✓ Use only *hydraulic jack oil*.
- ✓ When not in use store jack in a safe, dry, child proof area in the lowered position.
- ✗ DO NOT jack vehicle which may result in spillage of fuel, battery acid, or dangerous substances.
- ✗ DO NOT work under the vehicle until Axle Stands have been correctly positioned.
- ✗ DO NOT operate the jack if damaged.
- ✗ DO NOT exceed the rated capacity of the jack.
- ✗ DO NOT use the jack for purposes other than which it is intended.
- ✗ DO NOT top up the hydraulic unit with brake fluid. Use hydraulic oil only.
- ✗ DO NOT allow untrained persons to operate the jack.
- ✗ DO NOT allow the vehicle to move whilst lifting or lowering.
- ✗ DO NOT use the jack to move vehicle.
- ✗ DO NOT adjust the safety overload valve.



2. SPECIFICATION

Model 2500LE Specification

Capacity	2.5tonne	Max Chassis Height	155mm
Min Saddle Height	85mm	Length	600mm
Max Saddle Height	450mm	Weight	34.2kg

3. ASSEMBLY

- 3.1 Line up the holes in the two piece handle and fasten with the assembly screw.
- 3.2 Loosen location bolt at the side of the handle base. Insert Jack handle and tighten the bolt.

4. OPERATING INSTRUCTIONS

- 4.1. **Before first use.**
 Before using the jack, purge hydraulic circuit in order to eliminate any possible air in the system by turning the handle anti-clockwise to open the release valve, and pumping 15 to 20 times (fig.1). At the end of the last downward stroke shut the valve off again by turning the handle clockwise.
- 4.2. **General.**
 - ☐ **WARNING! Before lifting ensure chapter 1 safety instructions are strictly followed.**
 - 4.2.1. Prepare the vehicle as mentioned in the safety instructions ensuring the ground on which the Jack is to stand is level and solid (not tarmac/adam).
 - 4.2.2. Position the Jack saddle under the vehicle manufacturer's recommended lifting point. (See vehicle handbook for details).
- 4.3. **Jacking the vehicle.**
 - 4.3.1. Turn the handle clockwise to close the valve and commence pumping the handle up and down using maximum strokes until the vehicle reaches the desired working height.
 - 4.3.2. Should the Jack become overloaded, a safety excess pressure valve will open, and stop the jack from lifting.
 - 4.3.3. **Weight Distribution**
 Up to 80% of the lifted load is carried by the front Jack wheels placing exceptional stress on the point of contact with the supporting floor. For this reason use on a hard level concrete surface only.
- 4.4. **Lowering the load**
 The lowering speed is controlled by the amount you turn the handle. Lower slowly and carefully, avoiding sudden release.
 - ☐ **WARNING! Ensure there are no persons or obstacles beneath the vehicle, or in the path of its descent.**

5. MAINTENANCE

IMPORTANT: Only fully qualified personnel should attempt maintenance or repair.

- 5.1. When the Jack is not in use, the ram should be in its lowest position to minimise corrosion. Remove the handle to inactivate Jack.
- 5.2. Keep the Jack clean and lubricate all moving parts with oil on a regular basis.
- 5.3. To check the oil level, fully lower the Jack. Remove filler plug (fig.3). The correct oil level should be approximately 5mm below the filler opening. If oil level is low, fill as required. Pump unloaded jack 15 to 20 times to expel air and then refit plug.
NOTE: Use a good quality Jack oil, such as SEALEY HYDRAULIC JACK OIL.
- ☐ **WARNING:** DO NOT use brake fluid, or any fluid other than hydraulic jack fluid as this may cause serious damage to the Jack and will invalidate the warranty!
- 5.4. Before each use check for broken, cracked, bent, or loose parts, or any visible damage to welds, ram, pump, saddle, lifting arm, frame and all parts including nuts, bolts, pins and other fasteners. If any suspect item is found remove jack from service and take necessary action to remedy the problem. DO NOT use the jack if believed to have been subjected to abnormal load or shock. Inspect and take appropriate action.
- 5.5. Every three months remove the locking rings on the caster wheels and lubricate the ball bearings with acid free grease.
- 5.6. After a year of extensive use, the oil should be replaced in order to extend the life of your jack. To drain the oil, remove the filler cap and valve. Make sure that no dirt is allowed to enter the hydraulic system's oil. Dispose of oil according to local authority regulations. See 5.3. for refill instructions.
- 5.7. Periodically check the pump piston and piston rod for signs of corrosion. Clean exposed areas with a clean oiled cloth.

IMPORTANT: NO RESPONSIBILITY IS ACCEPTED FOR INCORRECT USE OF THE JACK.

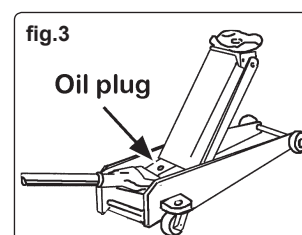
Hydraulic products are only repaired by local service agents. We have service/repair agents in all parts of the UK.

DO NOT RETURN JACKS TO US. Please telephone us on 01284 757500 to obtain the address and phone number of your local agent.

If Jack is under guarantee please contact your dealer.

De-commissioning the Jack

Should the Jack become completely unserviceable and require disposal, draw off the oil into an approved container and dispose of the Jack and the oil according to local regulations.



6. TROUBLE SHOOTING

PROBLEM	POSSIBLE CAUSE	REMEDY
Jack will not lift the load	<ol style="list-style-type: none"> 1) Overloaded 2) Oil level low 3) Release valve not correctly closed 4) Air in system 5) Piston rod not functioning 6) Packing worn or defective 	<ol style="list-style-type: none"> 1) Be sure to use jack with adequate capacity 2) Top up oil level 3) Check and close release valve 4) Open release valve and air vent (if fitted) and pump the handle 15 to 20 times. Close valve and re-try 5) Clean and replace oil 6) Replace packing
Jack does not lift high enough or feels "spongy"	<ol style="list-style-type: none"> 1) Oil level too high or too low 2) Worn seals 3) Air in system 4) Release valve not closed 	<ol style="list-style-type: none"> 1) Fill or remove excess oil 2) Return jack to local service agent 3) Open release valve and air vent (if fitted) and pump the handle 15 to 20 times. Close valve and re-try 4) Check and close release valve
Jack lifts poorly	<ol style="list-style-type: none"> 1) Pump packing or valves malfunctioning 2) Oil is dirty 3) Air in the system 	<ol style="list-style-type: none"> 1) Replace packing and/or clean valves 2) Replace oil 3) Open release valve and air vent (if fitted) and pump the handle 15 to 20 times. Close valve and re-try
Jack lifts but will not hold load	<ol style="list-style-type: none"> 1) Release valve partially open 2) Dirt on valve seats 3) Air in system 4) Faulty seals 5) Packing worn or defective 	<ol style="list-style-type: none"> 1) Check and close release valve 2) Lower jack, close release valve. Place foot on front wheel and pull up lifting arm to it's full height by hand. Open the release valve to lower arm 3) Open release valve and air vent (if fitted) and pump the handle 15 to 20 times. Close valve and re-try 4) Replace packing or contact local service agent 5) Replace packing
Jack will not lower completely	<ol style="list-style-type: none"> 1) Unit requires lubrication 2) Piston rod bent or damaged 3) Jack frame/link system distorted due to overloading/poor positioning 4) Air in system 5) Release valve partially open 6) Jack spring damaged 	<ol style="list-style-type: none"> 1) Oil all external moving parts 2) Replace rod or contact local service agent 3) Replace damaged parts or contact local service agent 4) Open release valve and air vent (if fitted) and pump the handle 15 to 20 times. Close valve and re-try 5) Check and fully open release valve 6) Replace spring or contact local service agent
Jack does not lower at all	<ol style="list-style-type: none"> 1) Release valve still closed 	<ol style="list-style-type: none"> 1) Check and fully open release valve

NOTE: It is our policy to continually improve products and as such we reserve the right to alter data, specifications and component parts without prior notice.

IMPORTANT: No liability is accepted for incorrect use of this product.

WARRANTY: Guarantee is 12 months from purchase date, proof of which will be required for any claim.

INFORMATION: For a copy of our latest catalogue and promotions call us on 01284 757525 and leave your full name and address, including postcode.



Sole UK Distributor, Sealey Group,
Kempson Way, Suffolk Business Park,
Bury St. Edmunds, Suffolk,
IP32 7AR

☎ 01284 757500

🌐 www.sealey.co.uk

📠 01284 703534

✉ sales@sealey.co.uk